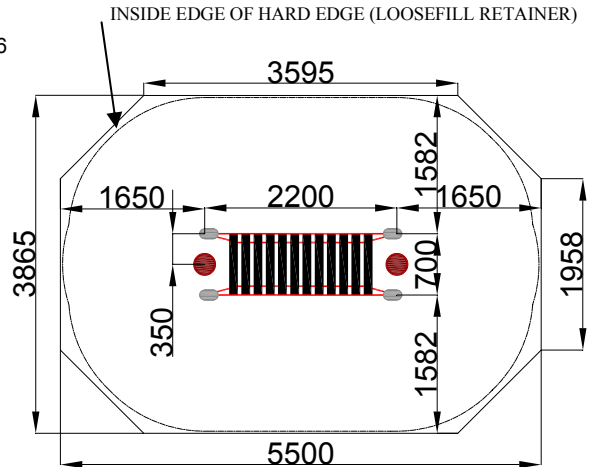
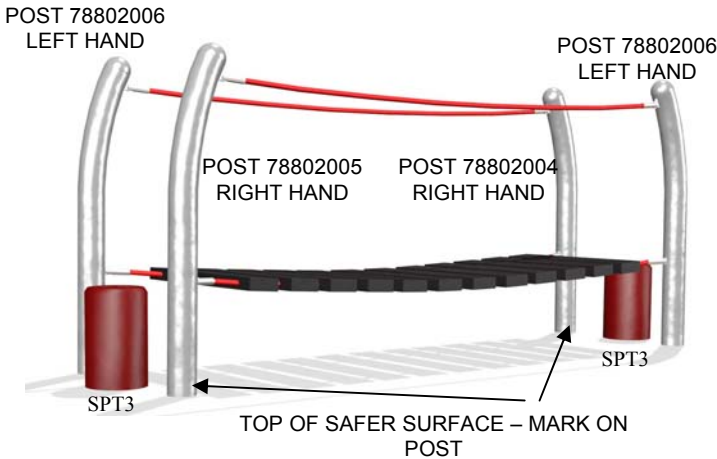


NG206 KAKUM CANOPY WALK



SAFER SURFACE
(all dimensions in mm)

IF INSTALLED INTO A LOOSEFILL SAFER SURFACE, BOLT ON EXTENSIONS FIXED TO POST AND BOLLARD GROUND ANCHORS FOR THE DEPTH OF LOOSEFILL.

BEFORE COMMENCING WORK CHECK CODES ON POSTS TO CONFIRM UNIT

FOUNDATION REQUIREMENTS

POSTS: 1100mm x 450mm x 800mm deep = 0.4m³ each. 0.8m³ TOTAL

BOLLARDS: 0.35 x 0.35 x 0.35 = (0.05m³ each) 0.1m³ TOTAL - INCLUDED IN POST FOUNDATION

20 MPa COMPRESSIVE STRENGTH (1 PART CEMENT : 2 PART SAND : 4 PART AGGREGATE (20mm)).

INSTALLATION REQUIREMENTS

EXCAVATION: 2 MEN 0.5 hr (1 man-hr)

INSTALL ARCH, BOLLARDS & CONCRETE: 2 MEN 1 hr (2 man-hr)

FIX ROPES: 1 MAN 0.5 hr (0.5 man-hr)

SURFACING REQUIREMENTS

MINIMUM SPACE TO EN1176 : 18.2m²

FREE FALL HEIGHT : 0.4m

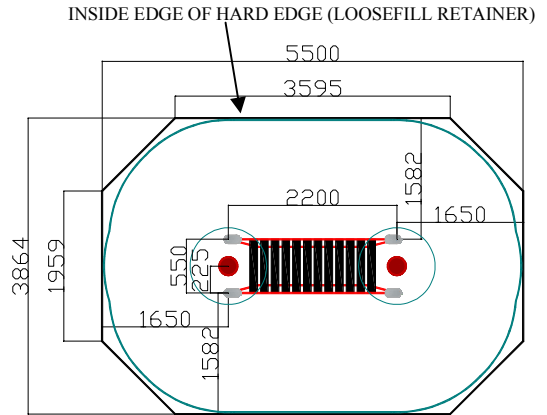
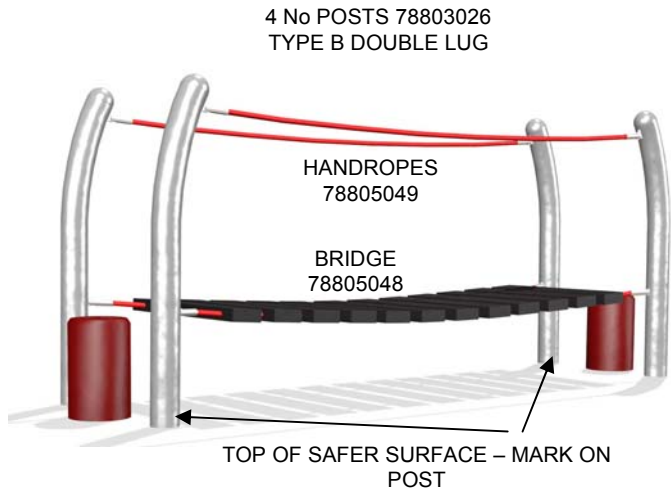
WETPOUR & LOOSEFILL PERIMETER TO EN1176 : TOTAL LENGTH =16.5m, TOTAL AREA =19.5m²

GRASSMATT TO EN1176 : TOTAL AREA = 24m²

COMPONENTS

CODE	QTY	DESCRIPTION
NG206 KAKUM WALK (INSTALLED INTO RUBBER / GRASS)		
78802005	2	RIGHT-HAND BRIDGE POSTS (M06_003)
78802006	2	LEFT-HAND BRIDGE POSTS (M06_004)
78805048	1	BRIDGE LINK C/W 4 x PIVOT PIN & 4 x GRUB SCREW (M06_002)
78805049	2	16mm dia HAND ROPE (M06_002)
RYBL400	2	RUBBER BOLLARD 400mm HIGH
803704	2	GROUND ANCHOR FOR 400mm BOLLARD
RYADHBK	1	ADHESIVE FOR BOLLARD LUG
EXTRA ITEMS FOR INSTALLATION INTO 300mm LOOSEFILL		
305802	4	ARCH POST EXTENSIONS FOR LOOSEFILL
305802	2	GROUND ANCHOR EXTENSION FOR LOOSEFILL
10251040	24	M10x40 BOLT (FIX EXTENSIONS)
10261000	24	M10 NYLOC NUT (FIX EXTENSIONS)

NG206 KAKUM CANOPY WALK



FOUNDATION & SAFER SURFACE
(all dimensions in mm)

IF INSTALLED INTO A LOOSEFILL SAFER SURFACE, BOLT ON EXTENSIONS FIXED TO POST AND BOLLARD GROUND ANCHORS FOR THE DEPTH OF LOOSEFILL.

BEFORE COMMENCING WORK CHECK CODES ON POSTS TO CONFIRM UNIT

FOUNDATION REQUIREMENTS

POSTS: 1100mm x 450mm x 800mm deep = 0.4m³ each. 0.8m³ TOTAL
 BOLLARDS: 0.35 x 0.35 x 0.35 = (0.05m³ each) 0.1m³ TOTAL - INCLUDED IN POST FOUNDATION
 20 MPa COMPRESSIVE STRENGTH (1 PART CEMENT : 2 PART SAND : 4 PART AGGREGATE (20mm)).

INSTALLATION REQUIREMENTS

EXCAVATION: 2 MEN 0.5 hr (1 man-hr)
 INSTALL ARCH, BOLLARDS & CONCRETE: 2 MEN 1 hr (2 man-hr)
 FIX ROPES: 1 MAN 0.5 hr (0.5 man-hr)

SURFACING REQUIREMENTS

MINIMUM SPACE TO EN1176 : 18.2m²
 FREE FALL HEIGHT : 0.4m
 WETPOUR & LOOSEFILL PERIMETER TO EN1176 : TOTAL LENGTH =16.5m, TOTAL AREA =19.5m²
 GRASSMATT TO EN1176 : TOTAL AREA = 24m²

COMPONENTS

CODE	QTY	DESCRIPTION
NG206 KAKUM WALK (INSTALLED INTO RUBBER / GRASS)		
78803025	4	POSTS TYPE B DOUBLE LUG
78805048	1	BRIDGE LINK C/W 4 x PIVOT PIN & 4 x GRUB SCREW (788-603)
78805049	2	16mm dia HAND ROPE 1840 LONG (788-604)
RYBL400	2	RUBBER BOLLARD 400mm HIGH
790-52880371	2	GROUND ANCHOR FOR 400mm BOLLARD
RYADHBK	1	ADHESIVE FOR BOLLARD LUG
EXTRA ITEMS FOR INSTALLATION INTO 300mm LOOSEFILL		
305802	4	ARCH POST EXTENSIONS FOR LOOSEFILL
305802	2	GROUND ANCHOR EXTENSION FOR LOOSEFILL
10251040	24	M10x40 BOLT (FIX EXTENSIONS)
10261000	24	M10 NYLOC NUT(FIX EXTENSIONS)