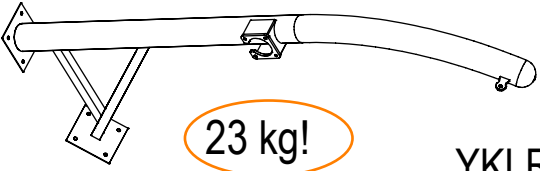
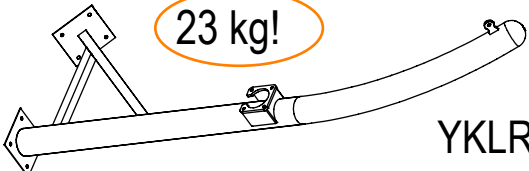
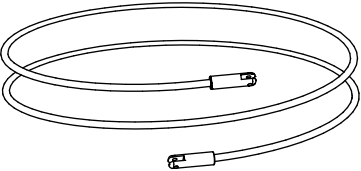



NRG Yukon Log Roll NG220S



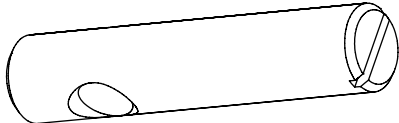
1  **78803024**
1 No
 23 kg!
 YKLR Left Hand Post

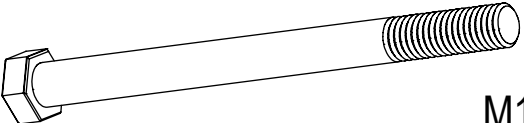
2  **78803023**
1 No
 23 kg!
 YKLR Right Hand Post

3  **78805036**
1 No
 1930mm Long Hand Rope

4  **78804004**
1 No
 Timber Log

5  **78804007**
2 No
 Log Mounting Shaft

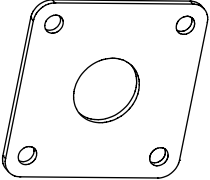
6  **780-578**
2 No
 120mm Barrel Nut

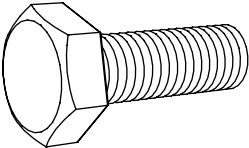
7  **780-574**
2 No
 M16 x 190mm Bolt

8  **10301600**
2 No
 M16 Shakeproof Washer

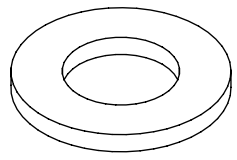
9  **10301601**
2 No
 M16 Armour Ring

10  **78804016**
2 No
 Bearing Assembly

11  **78804009**
2 No
 Bearing Plate

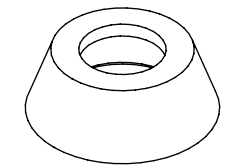
12  **10231240**
8 No
 M12 x 40 Bolt

13



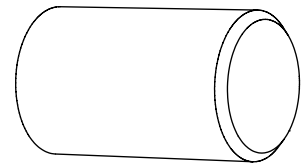
10381200
8 No
M12 Plain Washer

14



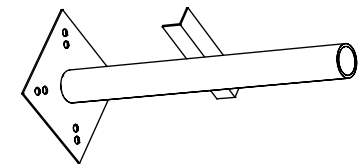
10301201
8 No
M12 Armour Ring

15



RYBL400
2 No
400mm Red Bollard

16



803704
2 No
400mm Bollard Fix Post

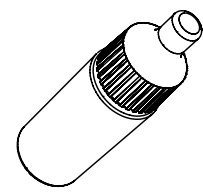
17



<http://www.alansonsuk.com/downloads.asp>

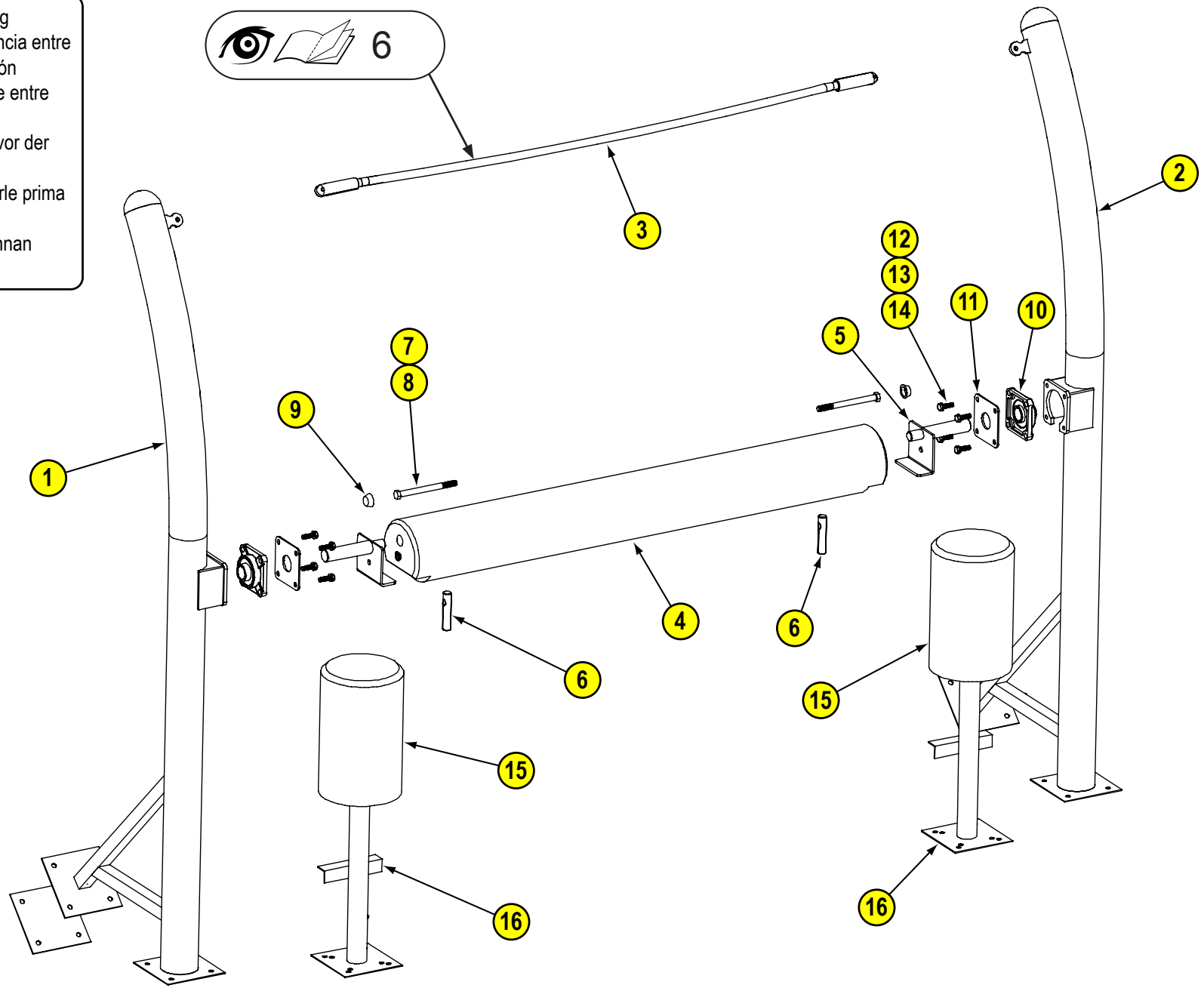
RYADHBK
1 No
Bollard Adhesive

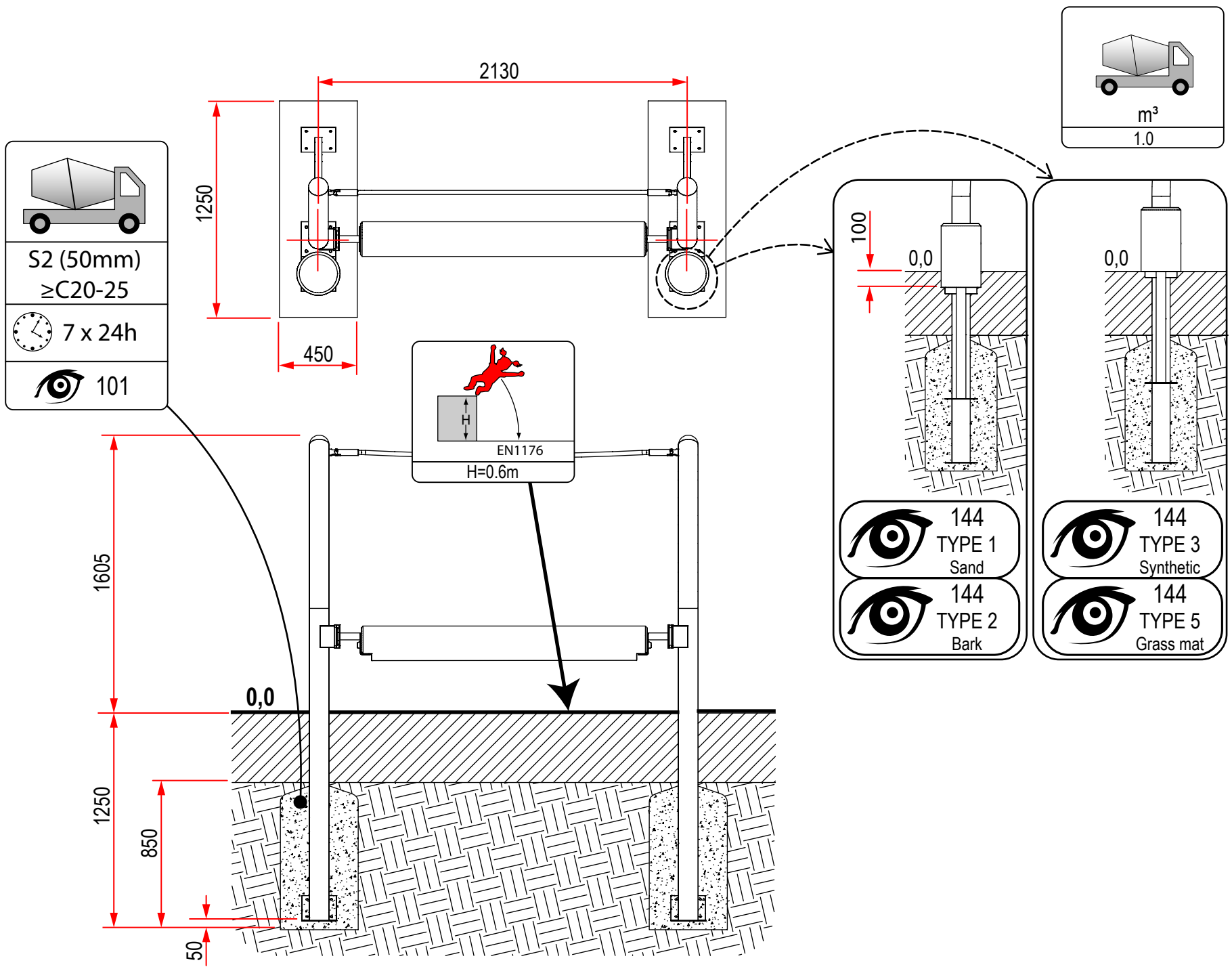
18

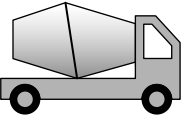





950040
1 No
High Strength Thread Lock

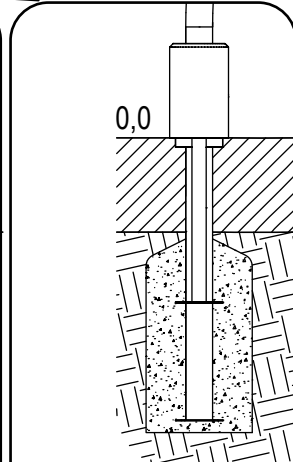
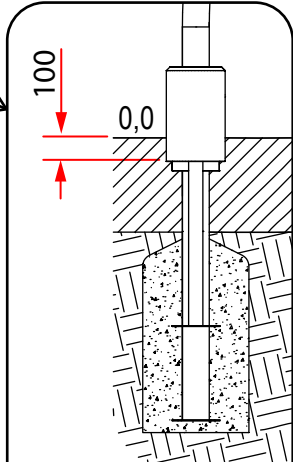
GB - Verify ropes fit – remove before concreting
ES – Utilizar las cuerdas para verificar la distancia entre los postes - quitarlas antes de poner el hormigón
FR – Utiliser les cordes pour vérifier la distance entre les poteaux - les retirer avant bétonnage
DE – Überprüfen Sie, dass die Seile passen - vor der Betonierung
IT – Usare le corde come distanziali – rimuoverle prima di cementare i pali
SE – Kontrollera att de linorna passa - flyttas innan betongarbete







 S2 (50mm)
 ≥C20-25
 7 x 24h
 101



 m³
 1.0

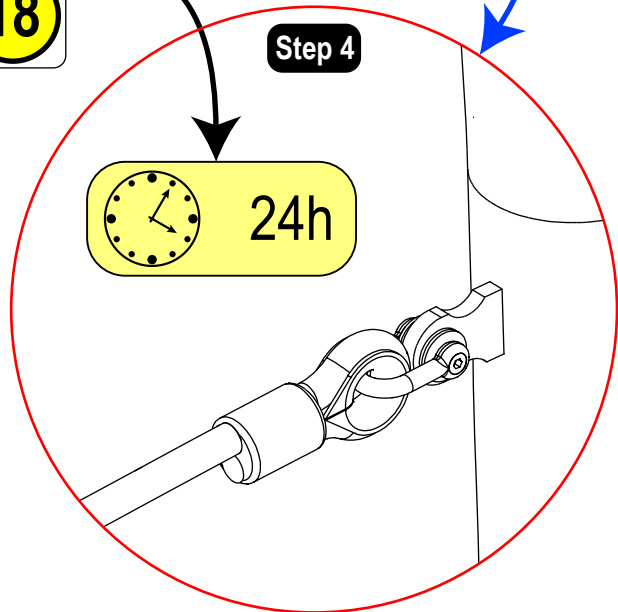
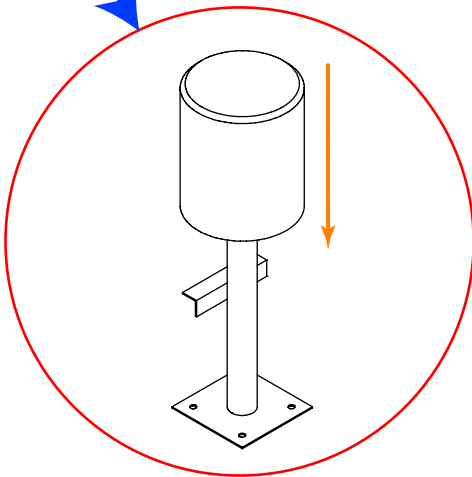
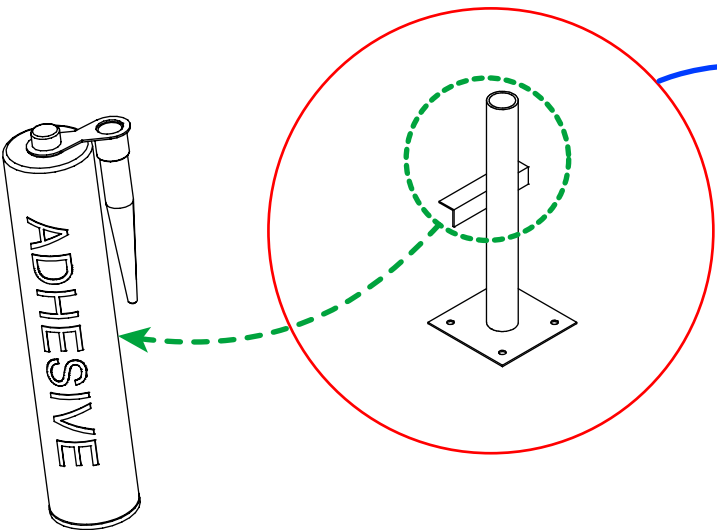
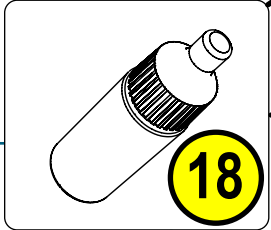
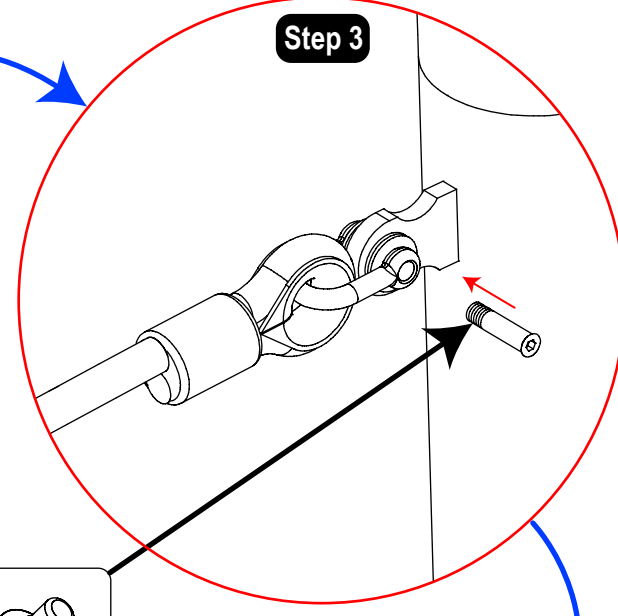
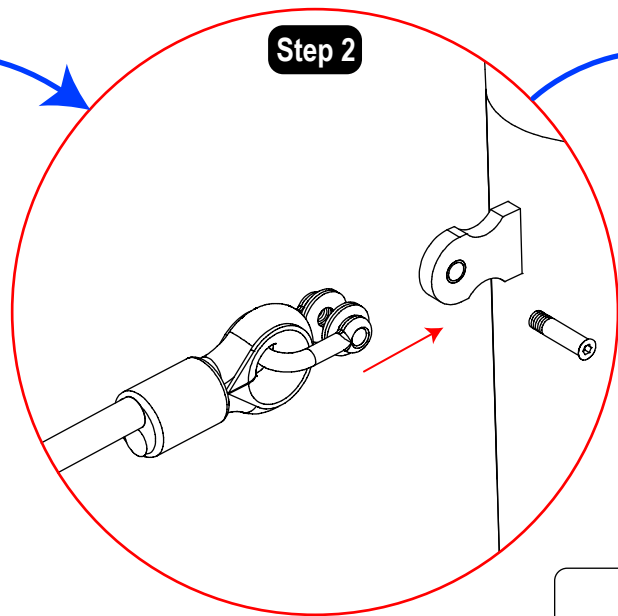
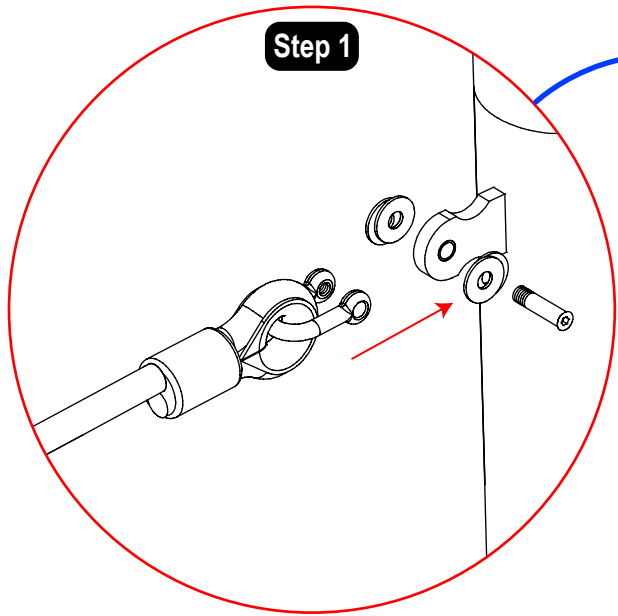


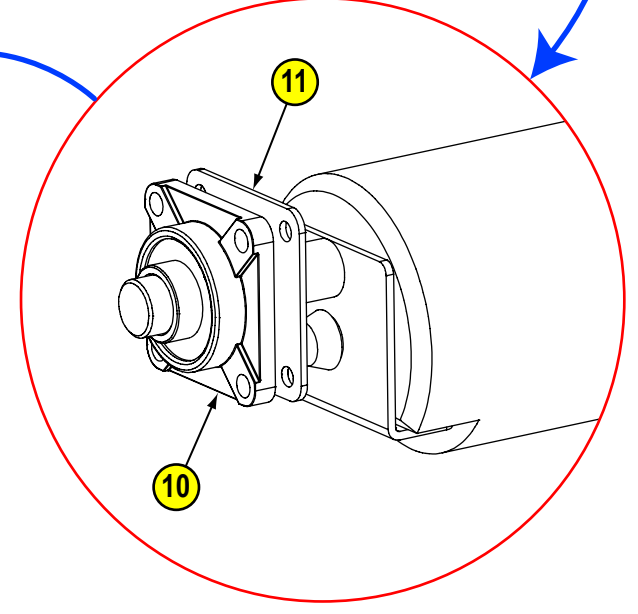
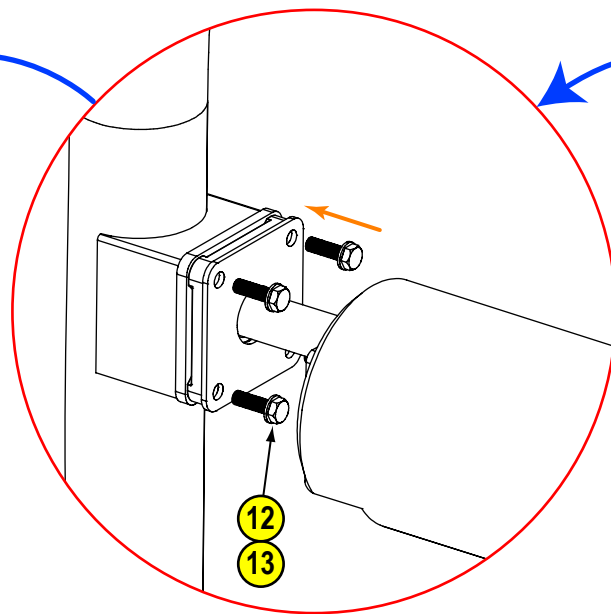
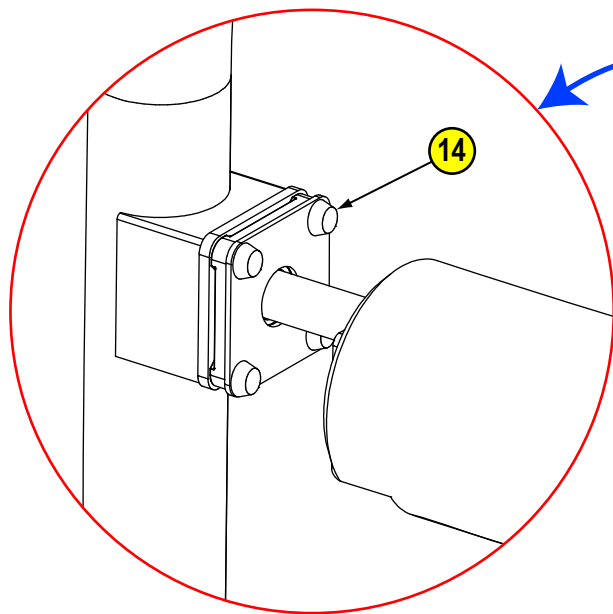
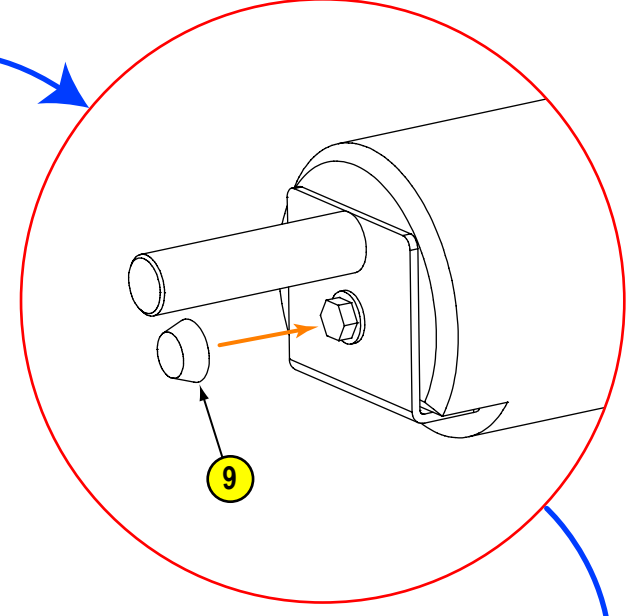
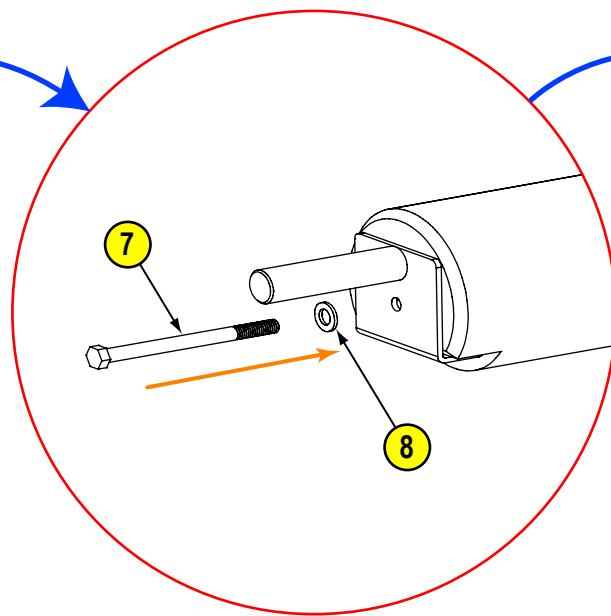
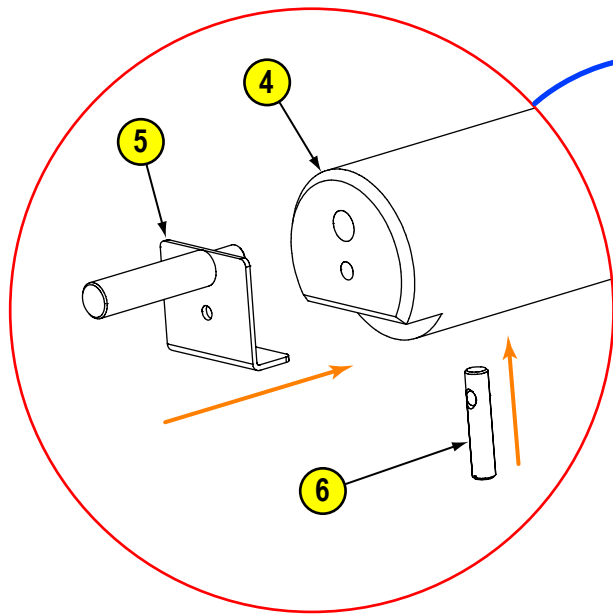
 144
 TYPE 1
 Sand

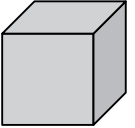
 144
 TYPE 2
 Bark

 144
 TYPE 3
 Synthetic

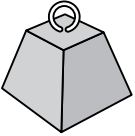
 144
 TYPE 5
 Grass mat








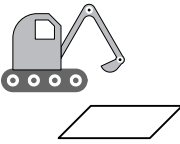
LxWxH (m)
2.38 x 0.68 x 1.60




kg
190



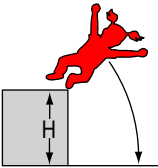
m³
1.00



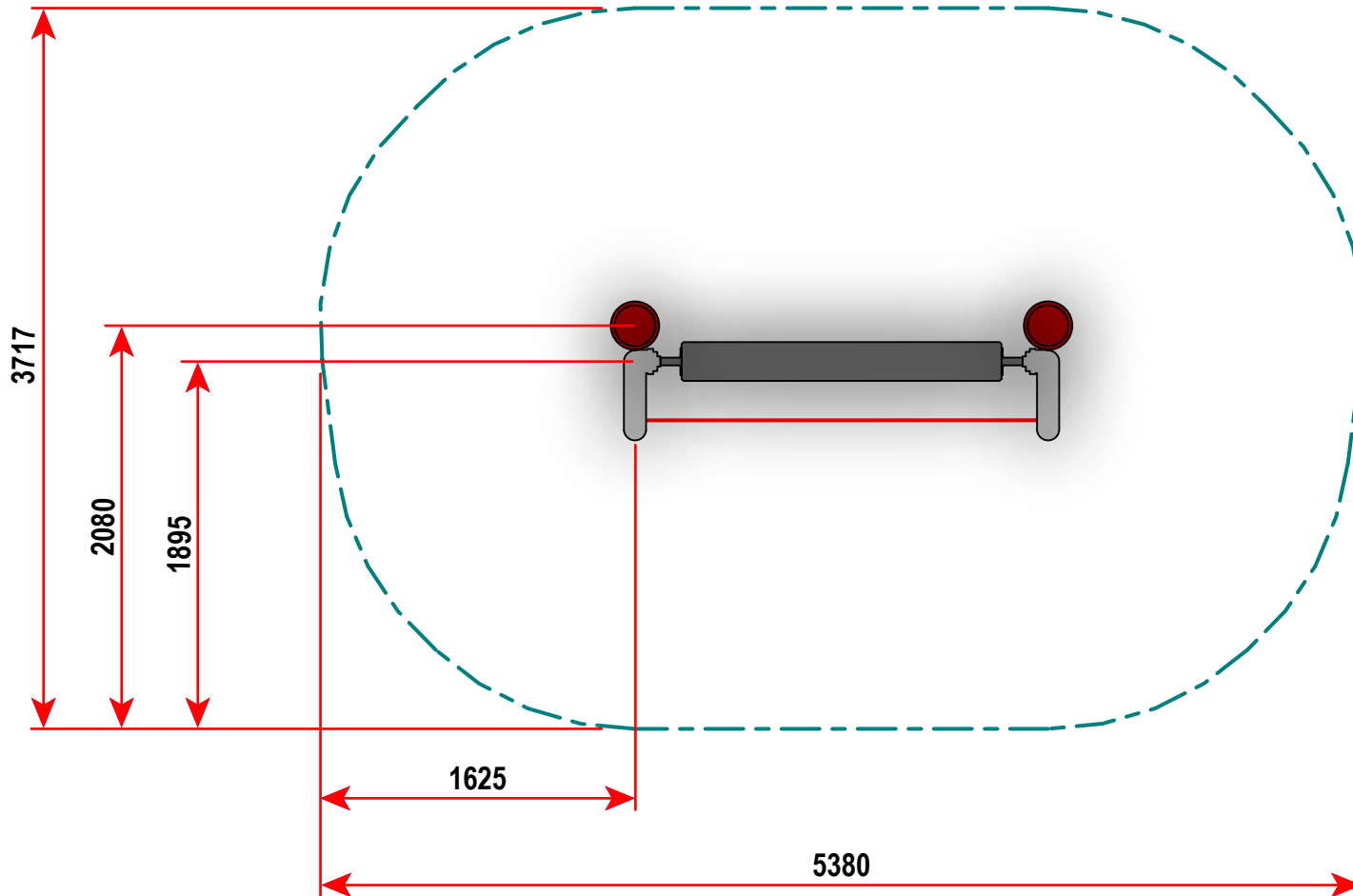
m²
10 x 10




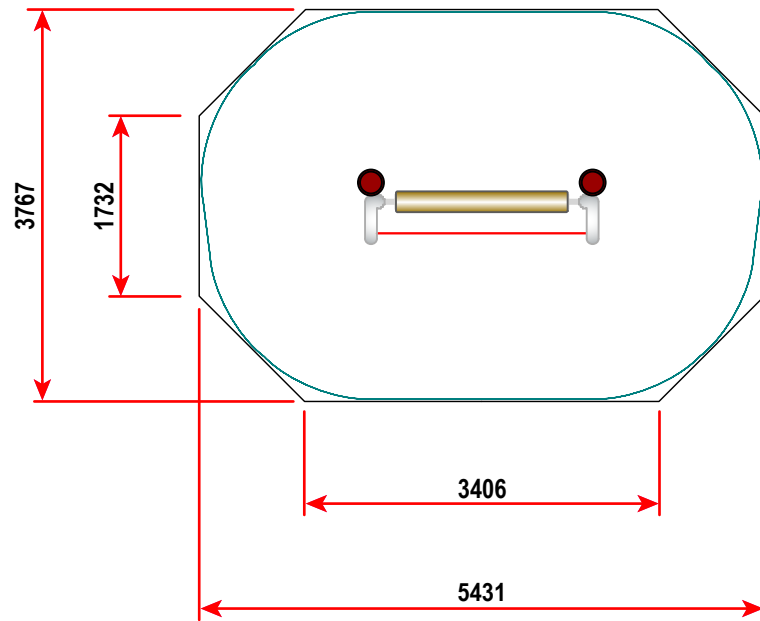
X 2 = T
T = 8 hr



EN1176
H=0.60m



 **144**
TYPE 5
Grassmat



 **144**
TYPE 3
Synthetic

