








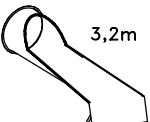

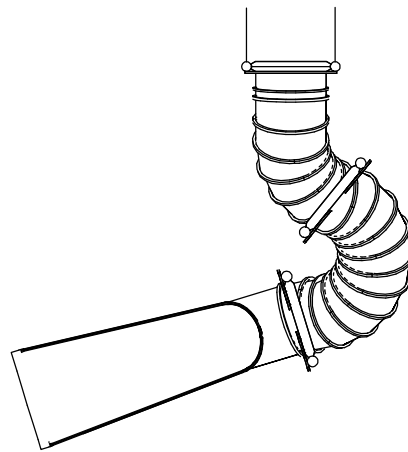
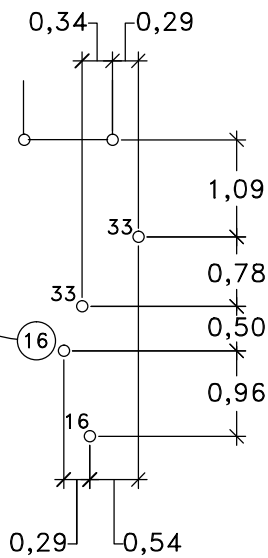

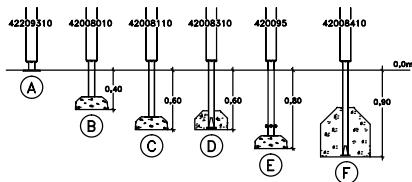


TYPE	HAGS.NO
 (2x) 1,05x0,52m	153341 153841 153851
(5x)  0,89m	41832103
	153802
 (2x)	153837
 0,91m	416372
 (34x)	153836
 (2x) 15°	153803
 (8x)	153852
 (14x) 15°	153834
 3,2m	153849 153859

 448 000
Hags.no. 4180 03



 42008010



28,0h



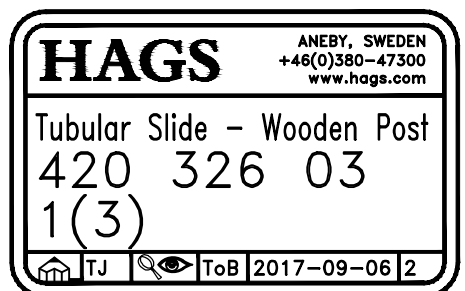
Varje vecka
Every week
Jede woche
Chaque semaine



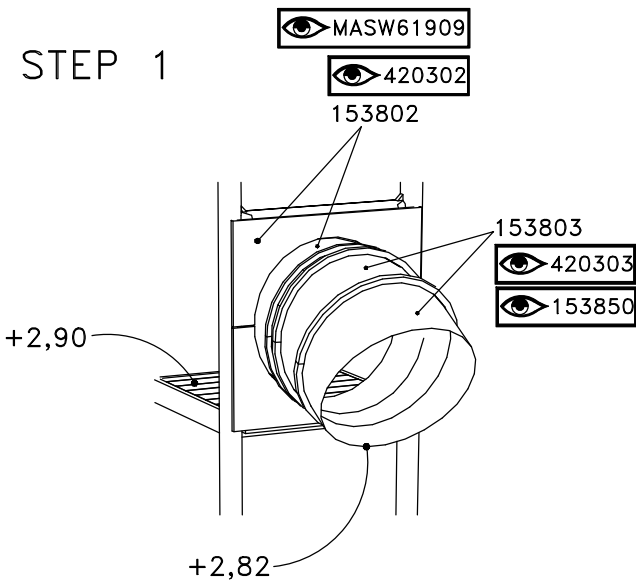
Varje säsong
Every season
Jedes Jahr
Chaque saison



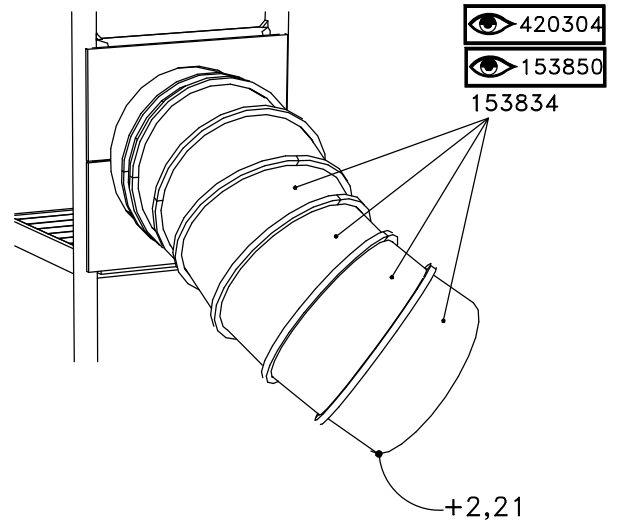
5-12



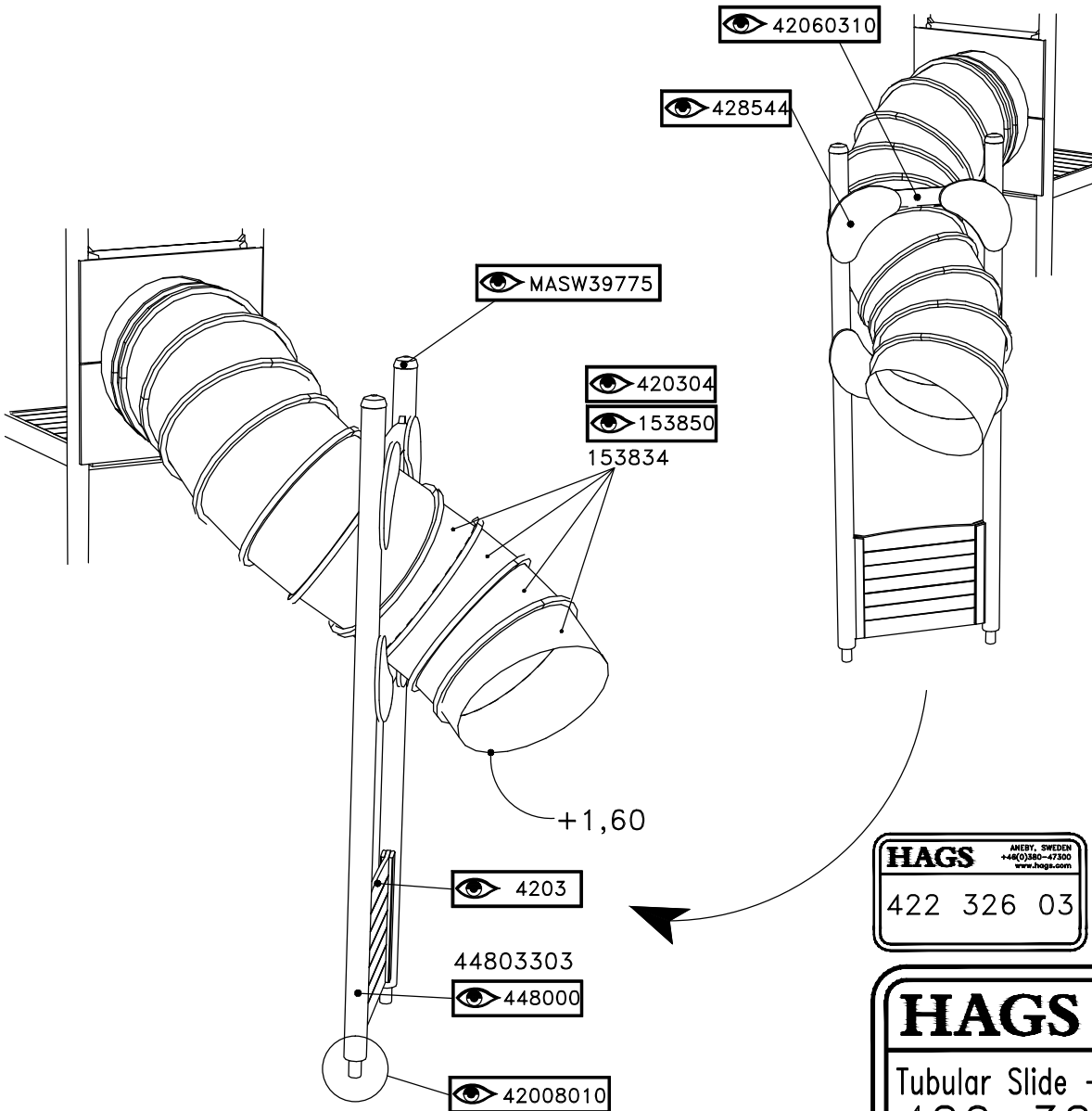
STEP 1



STEP 2



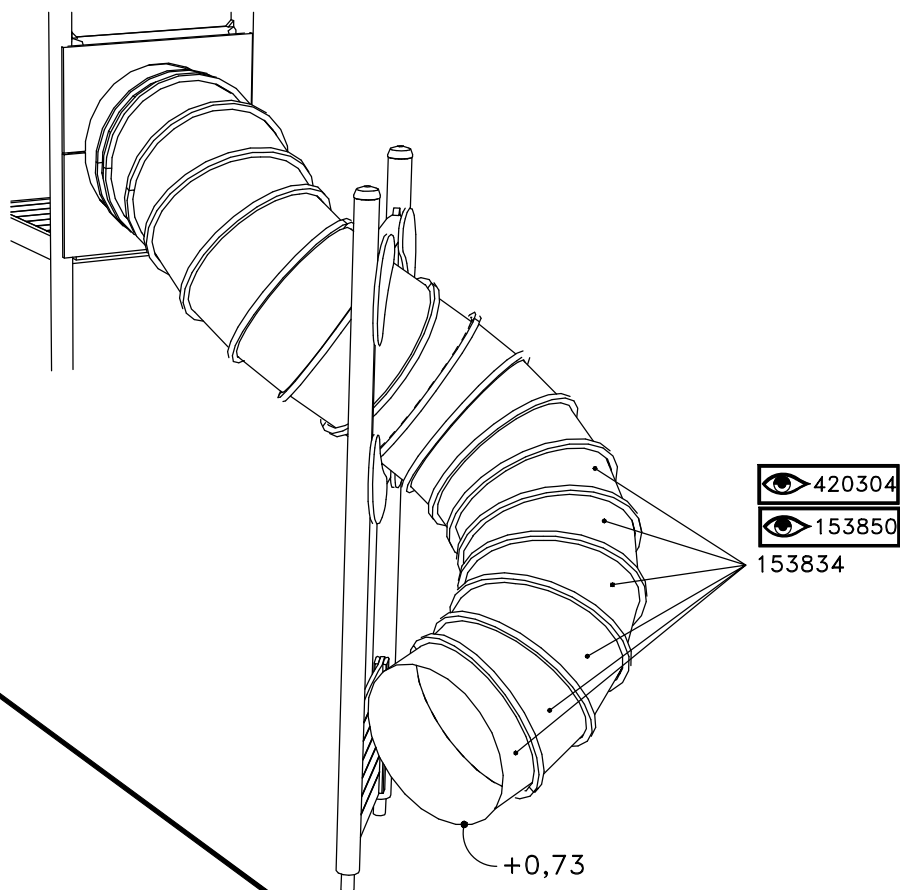
STEP 3



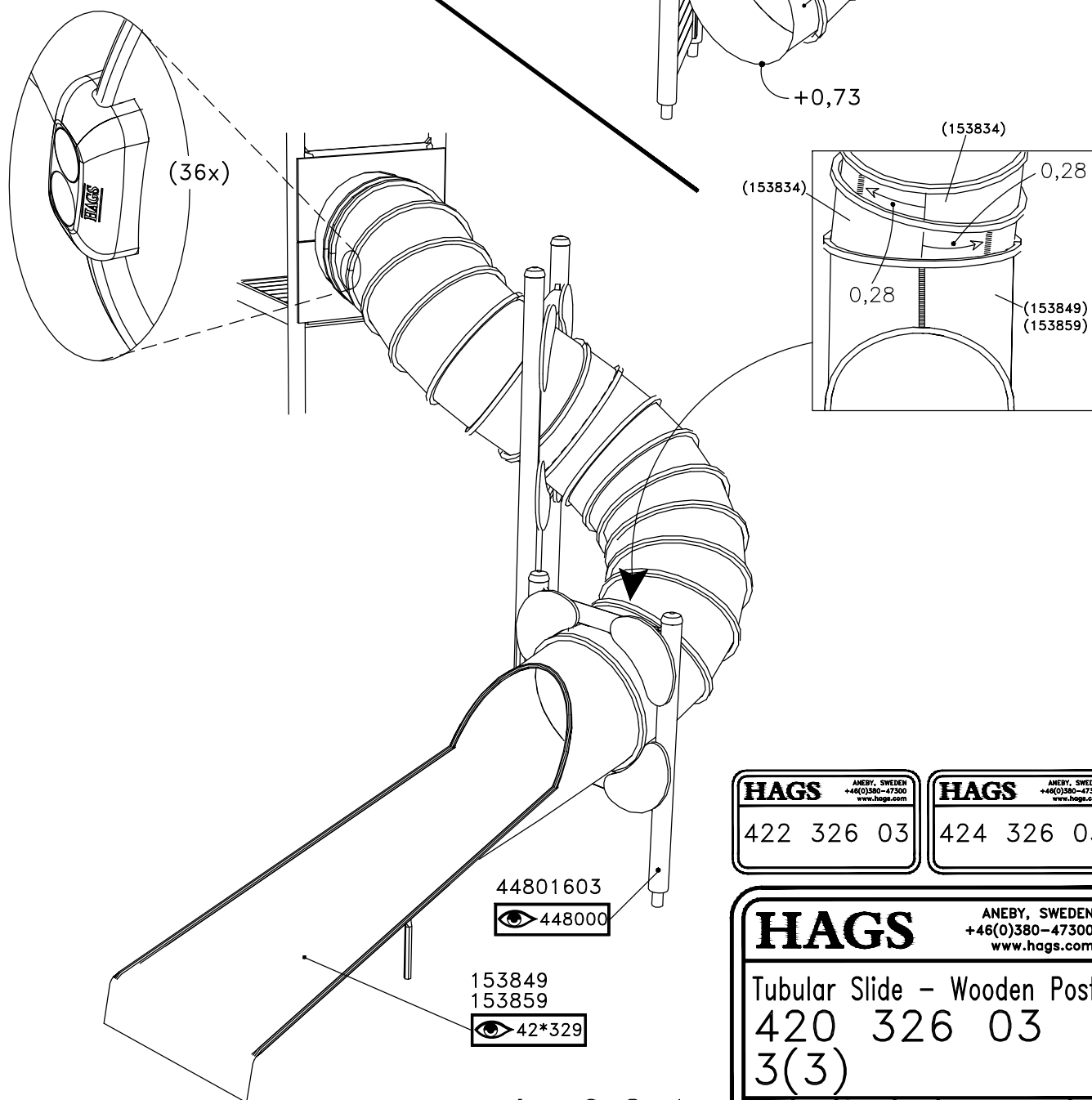
HAGS <small>ANEBY, SWEDEN +46(0)380-47300 www.hags.com</small> 422 326 03	HAGS <small>ANEBY, SWEDEN +46(0)380-47300 www.hags.com</small> 424 326 03
--	--

HAGS <small>ANEBY, SWEDEN +46(0)380-47300 www.hags.com</small> Tubular Slide - Wooden Post 420 326 03 2(3)
<small> Home TJ ToB 2017-09-06 2 </small>

STEP 4



STEP 5



HAGS	ANEBY, SWEDEN +46(0)380-47300 www.hags.com
422 326 03	

HAGS	ANEBY, SWEDEN +46(0)380-47300 www.hags.com
424 326 03	

HAGS	ANEBY, SWEDEN +46(0)380-47300 www.hags.com
Tubular Slide - Wooden Post	
420 326 03	
3(3)	
TJ	ToB 2017-09-06 2

* = 0,2,4