


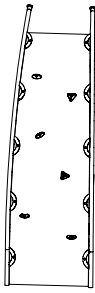
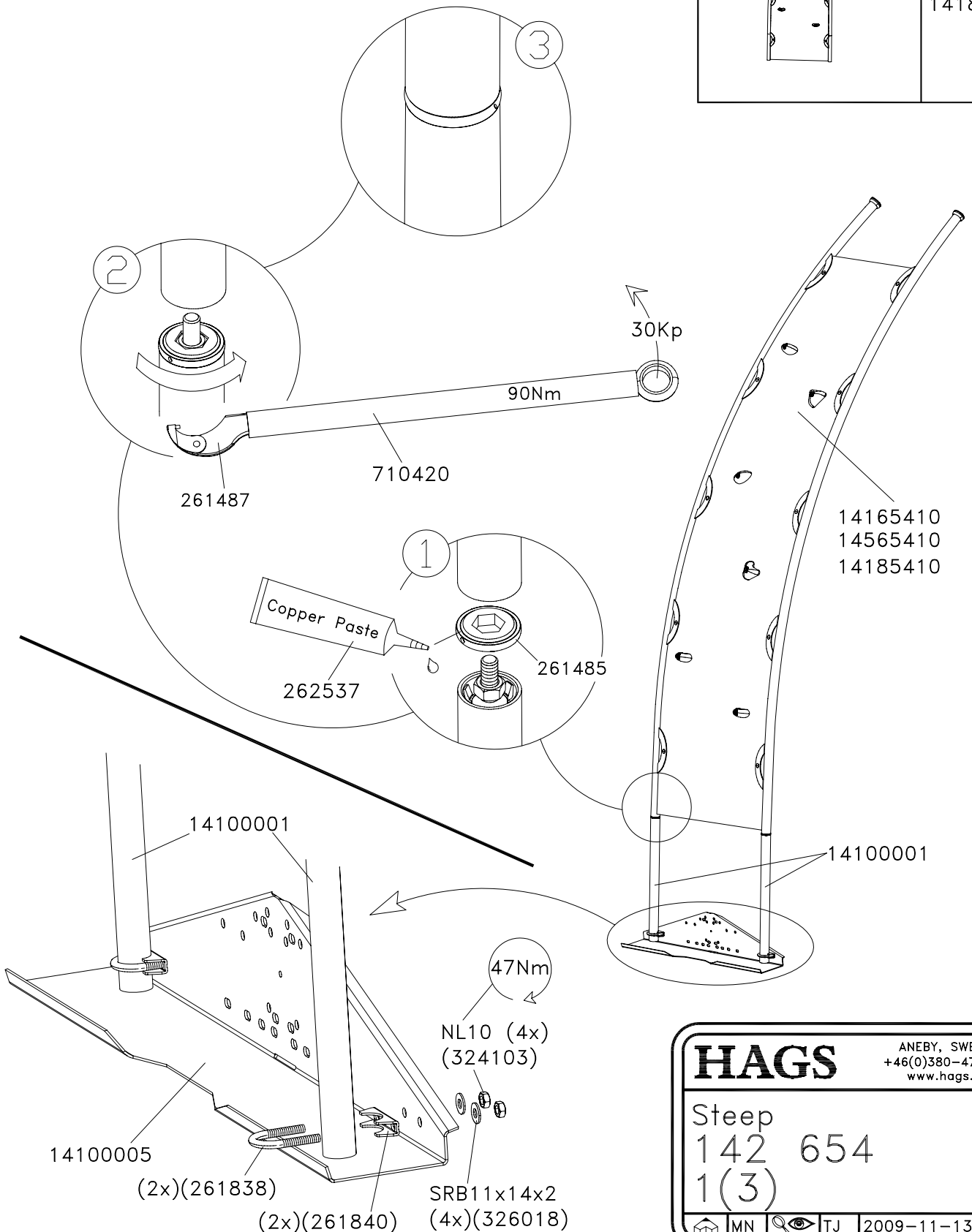


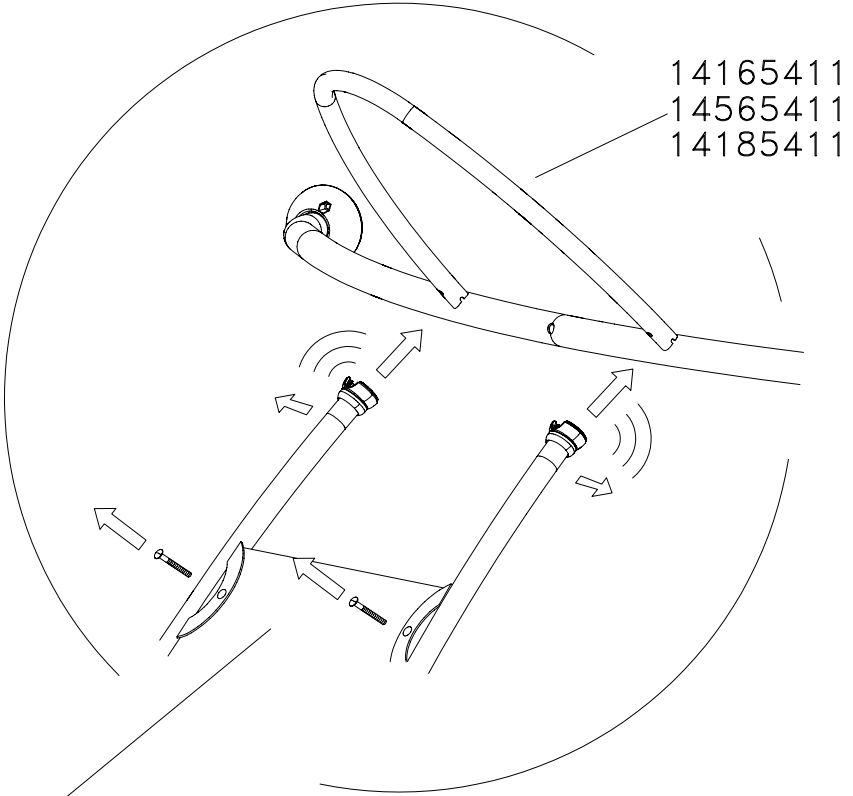


TYPE	ART.NO
 $\varnothing 38\text{mm}$ L=0,53m	14100001 (2x)
 1x0,2x0,15m	14100005

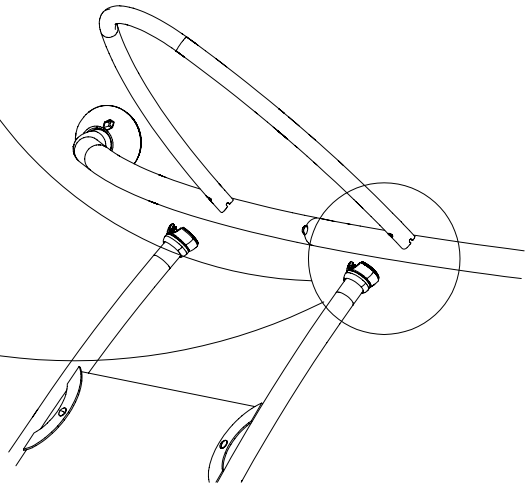
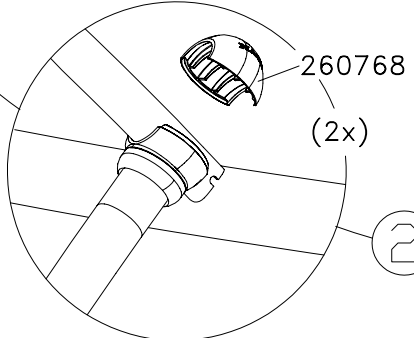
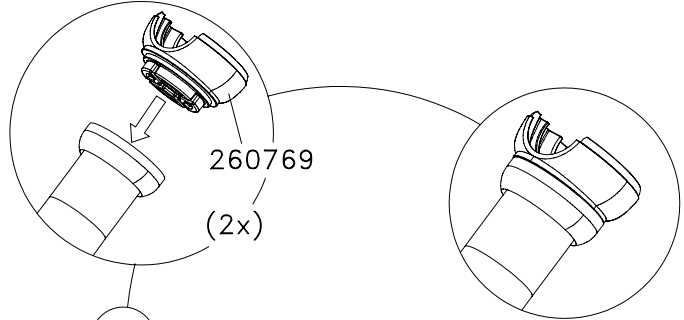
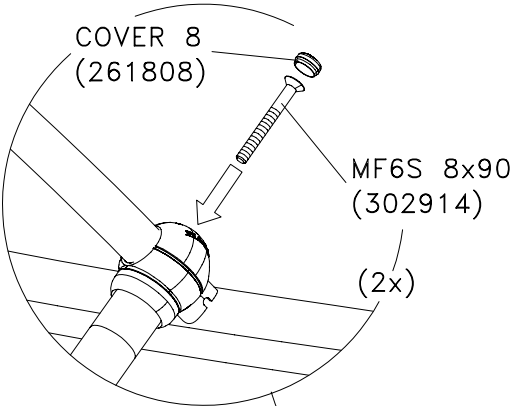
TYPE	ART.NO
	14165411 14565411 14185411
	14165410 14565410 14185410



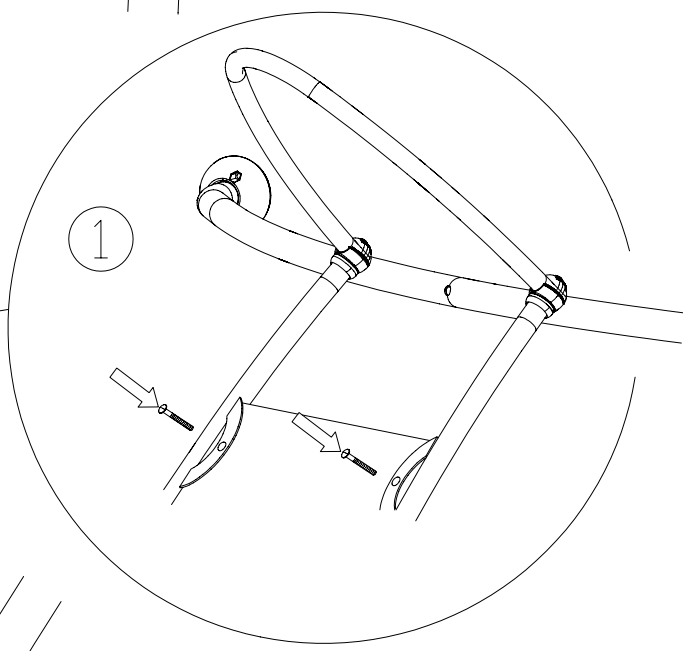
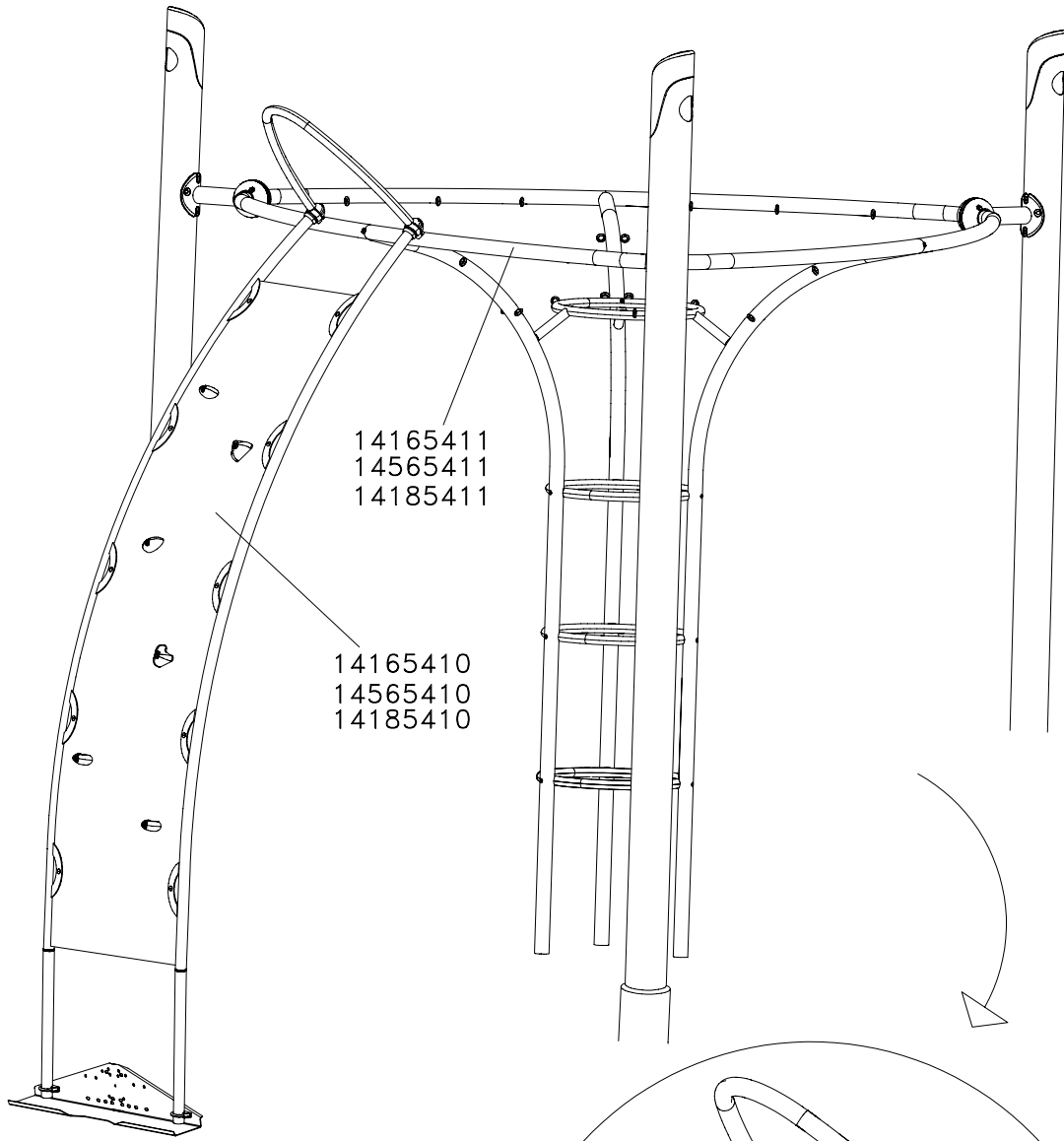
HAGS		ANEBY, SWEDEN +46(0)380-47300 www.hags.com	
Steep		142 654	
1(3)			
	MN		TJ
2009-11-13		2	



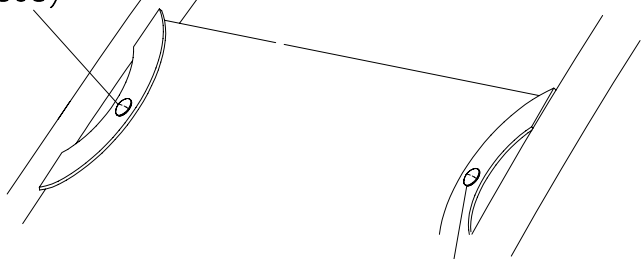
14165410
14565410
14185410



HAGS		ANEBY, SWEDEN	
		+46(0)380-47300	
		www.hags.com	
Steep			
142 654			
2(3)			
	MN		TJ
2009-11-13		2	



COVER 8
(261808)



COVER 8
(261808)

HAGS		ANEBY, SWEDEN	
		+46(0)380-47300	
		www.hags.com	
Steep			
142		654	
3(3)			
	MN		TJ
2009-11-13		2	