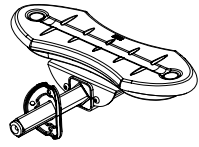
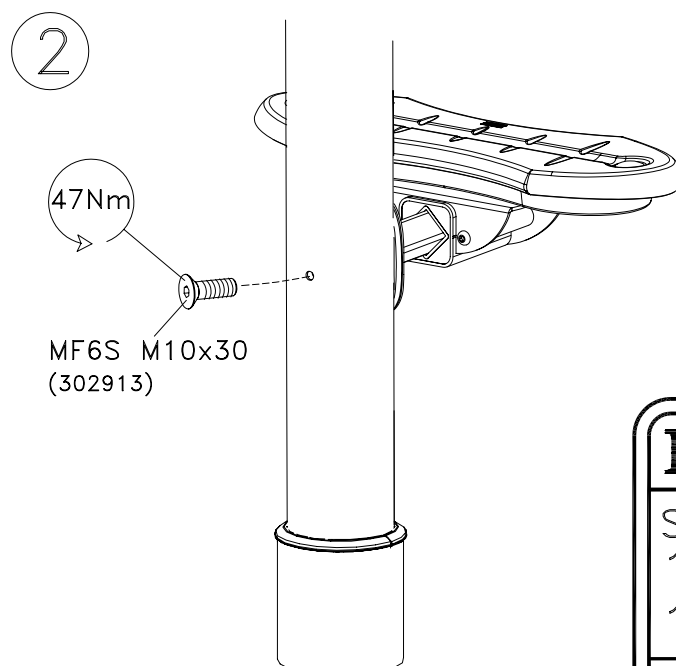
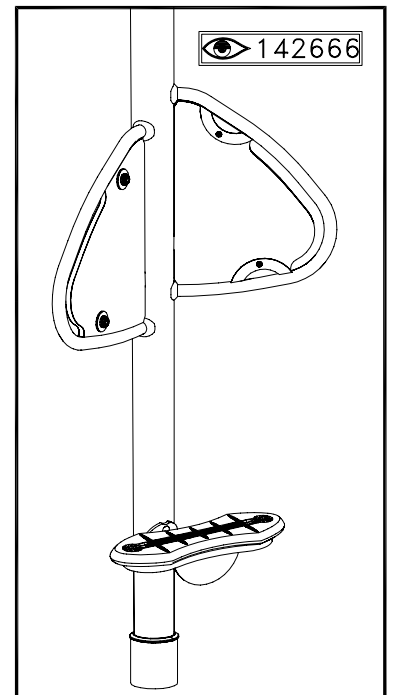




TYPE	HAGS NO.
	14166810 14566810 14186810



HAGS		ANEBY, SWEDEN +46(0)380-47300 www.hags.com	
Starter			
142 668			
1(1)			
	DCA		TJ 2009-11-13 1