

POS-NR  
POS-NO  
ART-NR  
ART-NO  
ANTAL/QUANTITY  
MENGE/QUANTITE

STEP 1  
14200010  
14100010  
14100015  
14160073  
14160082  
14160089

142641  
41077010  
14174210  
610071-02

142642  
14100001  
14100004  
14164210  
14174210

142654  
14100001  
14100005  
14165410  
14165411

142745  
14100002  
14100004  
14174510  
14174511  
14174512  
14174513  
14174514

STEP 2  
142645  
14164510  
14164511  
14167015  
610072-03

142666  
14166610

142676  
14167610  
1445099



35 h



Varje vecka  
Every week  
Jede woche  
Chaque semaine



Varje säsong  
Every season  
Jedes Jahr  
Chaque saison

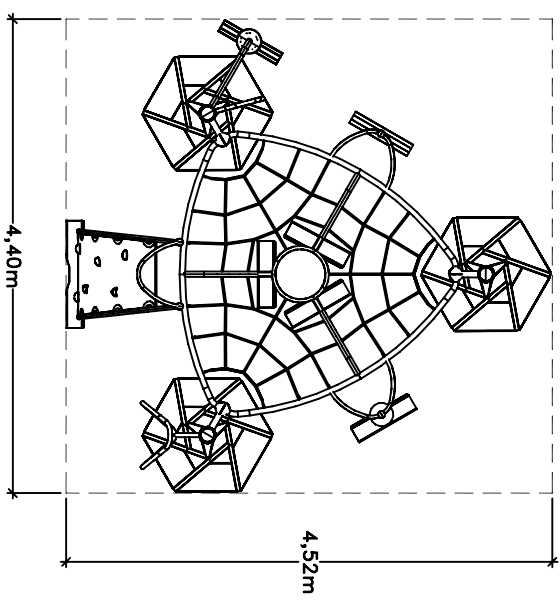
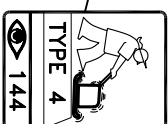
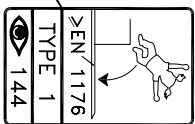
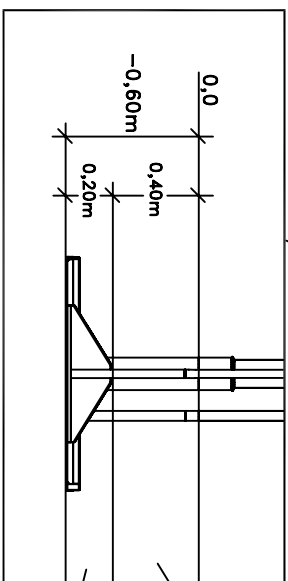
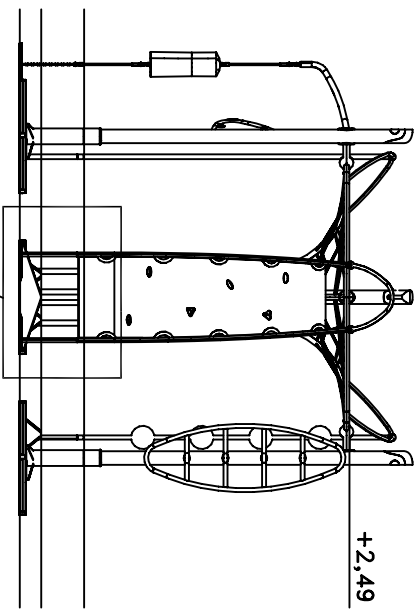


5-12

**HAGGS**  
ANEBY, SWEDEN  
+46(0)380-47300  
www.haggs.com

Corro  
144509  
I(III)

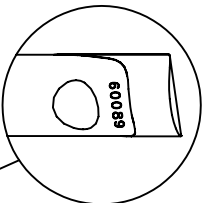
UD JS 2007-08-14 | 1



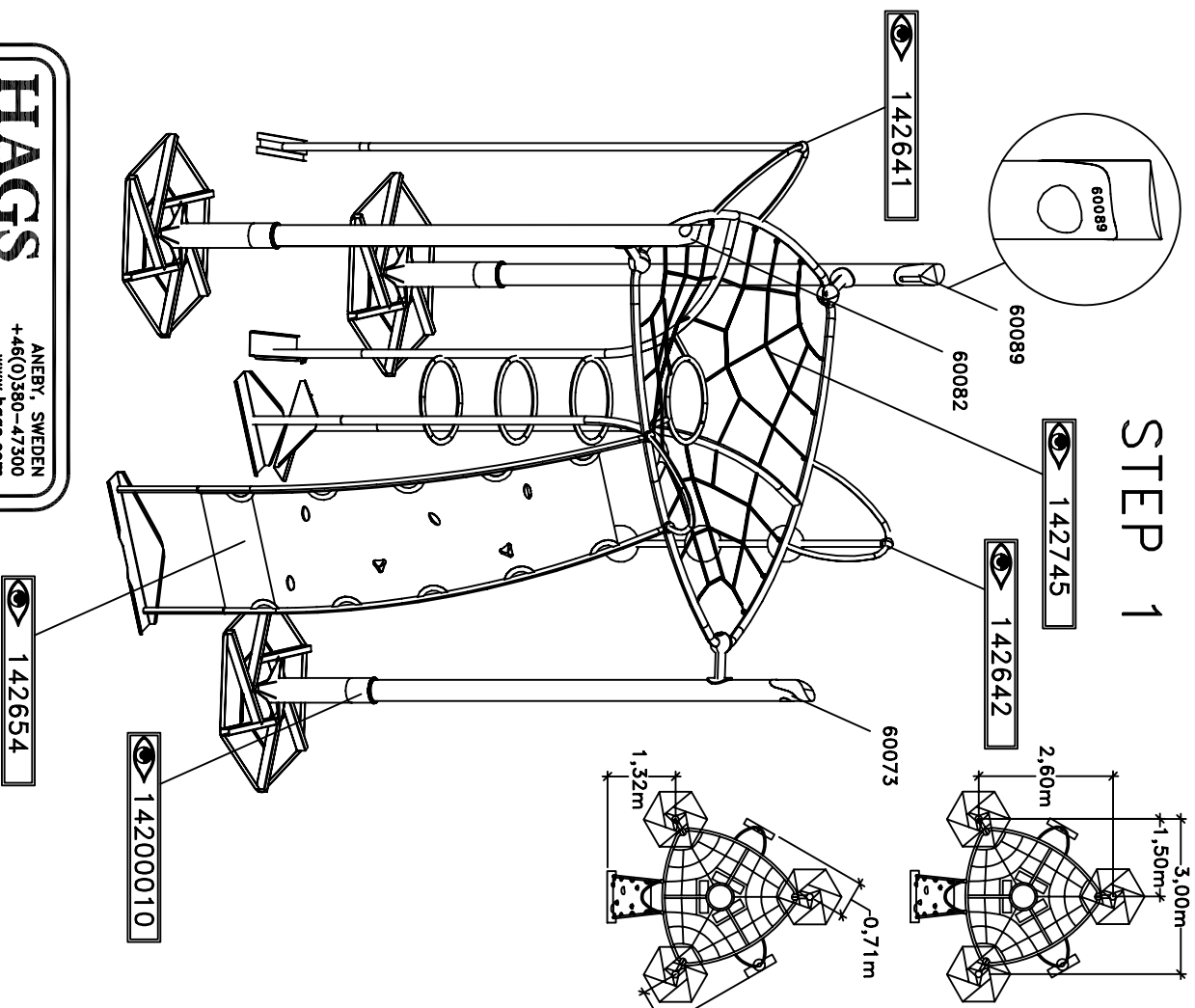
**HAGGS**  
 ANEBY, SWEDEN  
 +46(0)380-47300  
 www.haggs.com

Corro  
 1 44509  
 II(III)

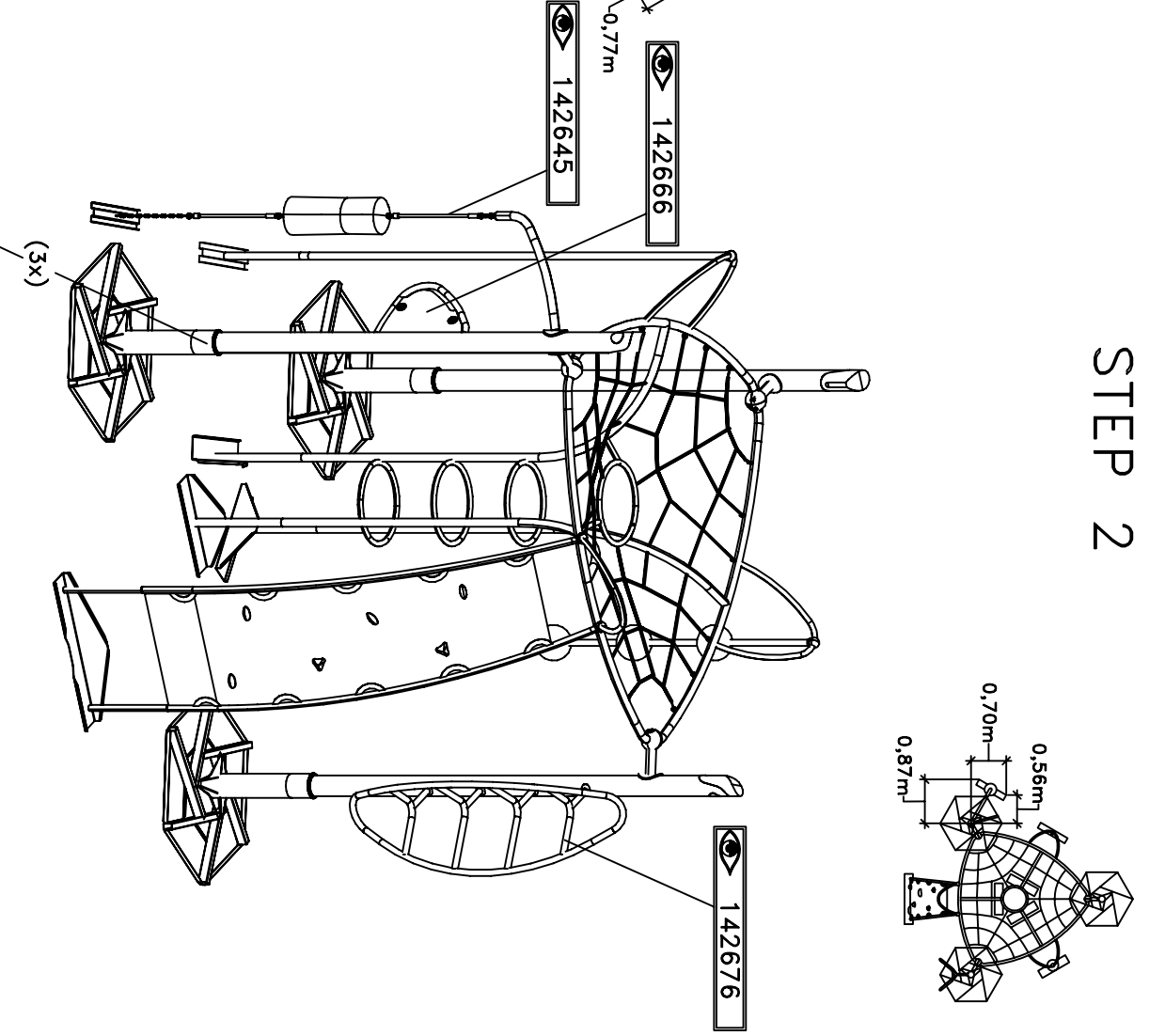
UD JS



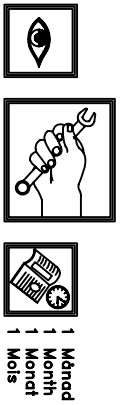
# STEP 1



# STEP 2



# STEP 3



- 1 Mänd
- 1 Month
- 1 Monnet
- 1 Mois

**HAGGS**  
 ANEBY, SWEDEN  
 +46(0)380-47300  
 www.higgs.com

Corro  
 1 44509  
 III(III)

UD JS

