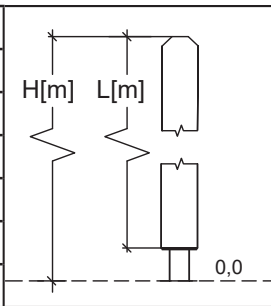


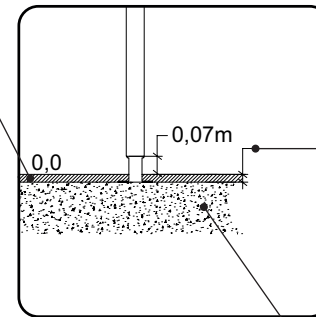
POST TYPE			ART.NO	ART.NO
CODE	LENGTH (L)	HEIGHT (H)	NCS S 3030-Y10R	NCS S 1030-Y10R
ba	0,52m	<b>0,59m</b>	8047136	8013980
ca	0,64m	<b>0,71m</b>	8046252	8021623
da	0,76m	<b>0,83m</b>	8046253	8013983
ea	0,88m	<b>0,95m</b>	8046217	8013985
eb	0,92m	<b>0,99m</b>	8046318	8013987
fa	1,00m	<b>1,07m</b>	8047001	8013989
fb	1,04m	<b>1,11m</b>	8046901	8013991
ga	1,12m	<b>1,19m</b>	8047113	8013993
gb	1,16m	<b>1,23m</b>	8052098	8013995
gc	1,20m	<b>1,27m</b>	8046661	8013997
ha	1,24m	<b>1,31m</b>	8046219	8013999
ja	1,36m	<b>1,43m</b>	8046902	8014001
jb	1,40m	<b>1,47m</b>	8047002	8025206
ka	1,48m	<b>1,55m</b>	8047019	8014003
ma	1,60m	<b>1,67m</b>	8047219	8014005
mb	1,64m	<b>1,71m</b>	8047171	8014007
na	1,72m	<b>1,79m</b>	8046518	8014009
nc	1,80m	<b>1,87m</b>	8047616	8039400
oa	1,84m	<b>1,91m</b>	8046945	8014011
pa	1,96m	<b>2,03m</b>	8046411	8014013
pb	2,00m	<b>2,07m</b>	8046724	8014015
ra	2,08m	<b>2,15m</b>	8046736	8014017
sa	2,20m	<b>2,27m</b>	8046527	8014019
ta	2,32m	<b>2,39m</b>	8046456	8014021
ua	2,44m	<b>2,51m</b>	8046707	8014023
xa	2,68m	<b>2,75m</b>	8046457	8014025



**OM**



**OM**



**S39**

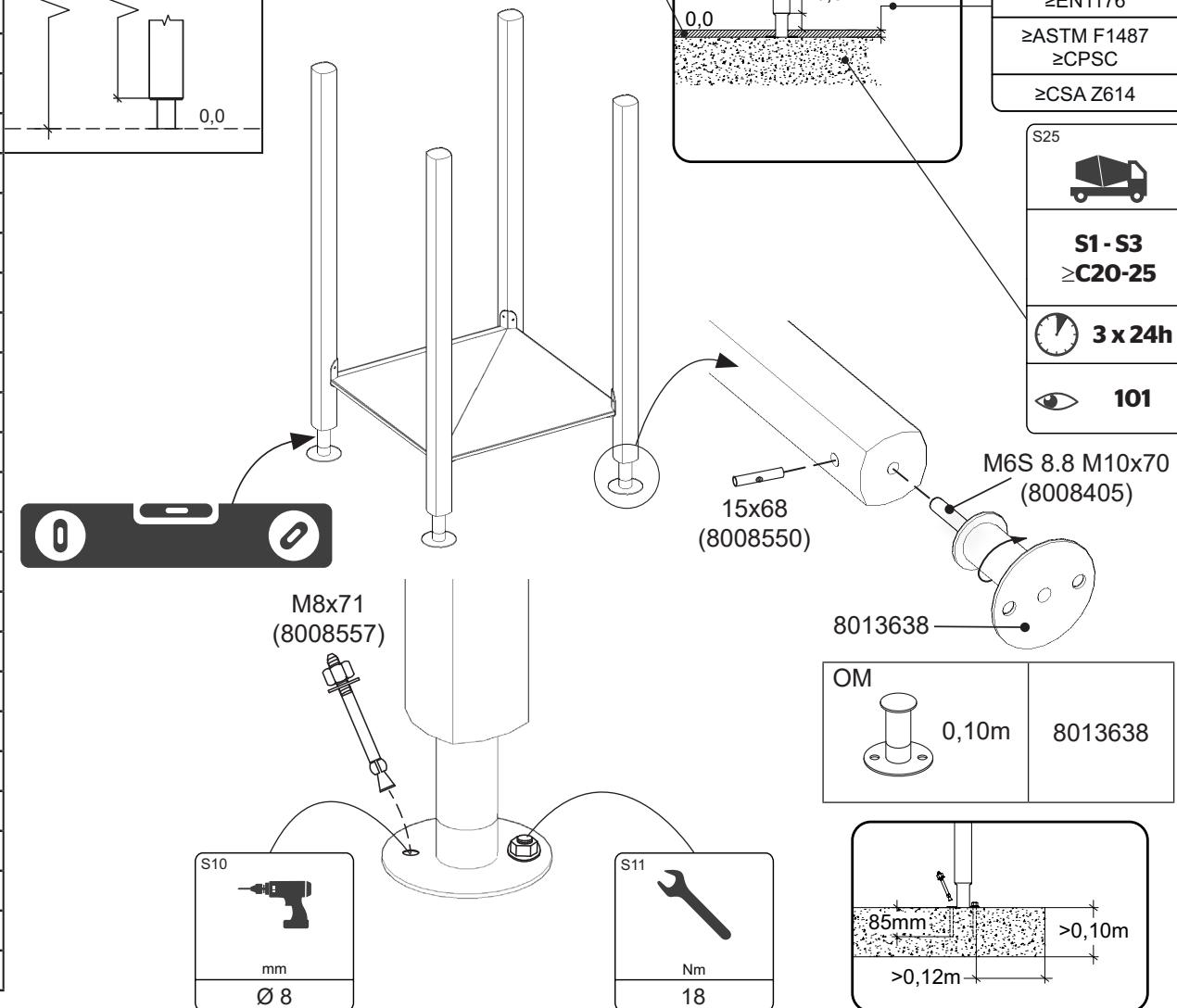
≥EN1176  
≥ASTM F1487  
≥CPSC  
≥CSA Z614

**S25**

**S1 - S3**  
≥C20-25

**3 x 24h**

**101**



**S10**

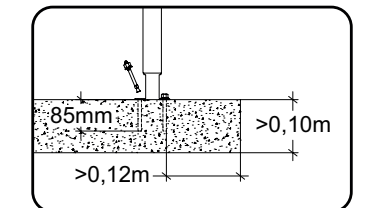
mm  
Ø 8

**S11**

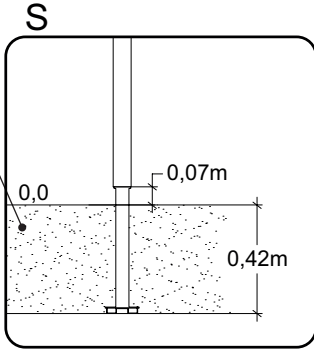
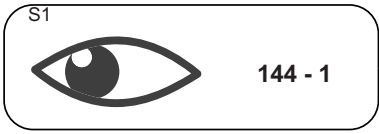
Nm  
18

**OM**

0,10m 8013638

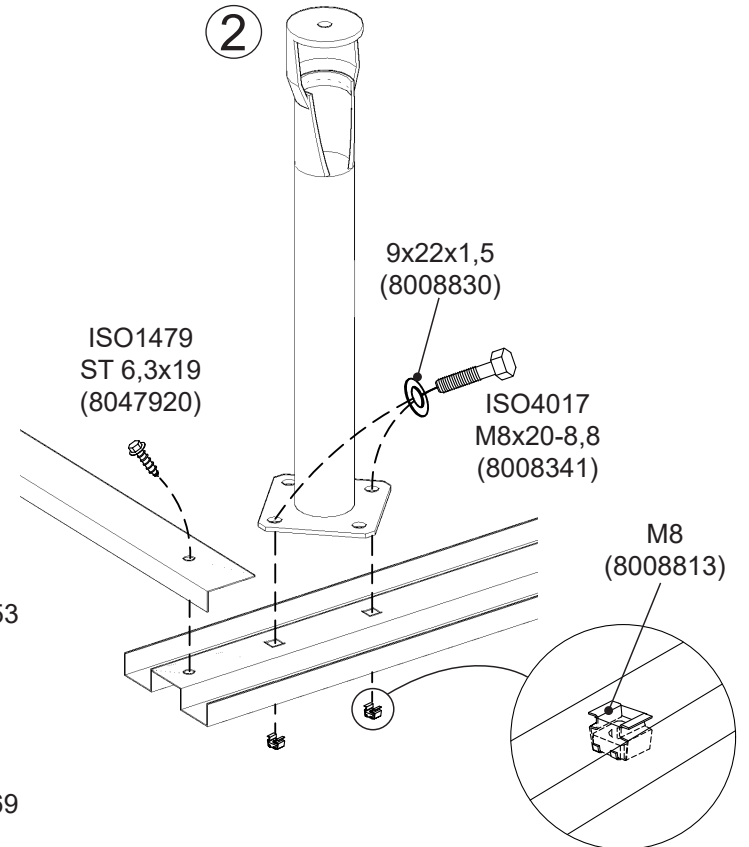
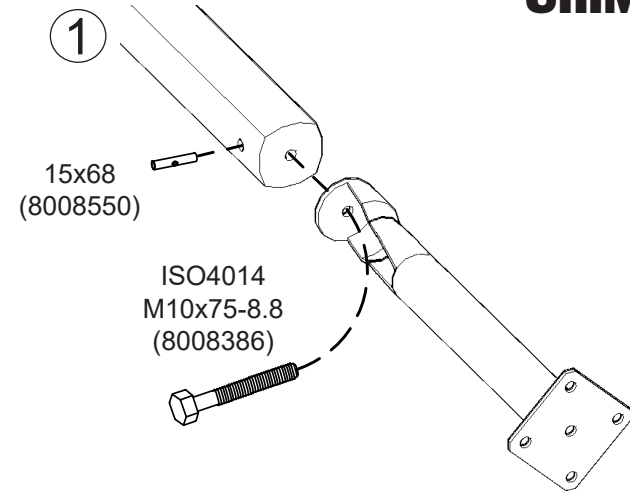
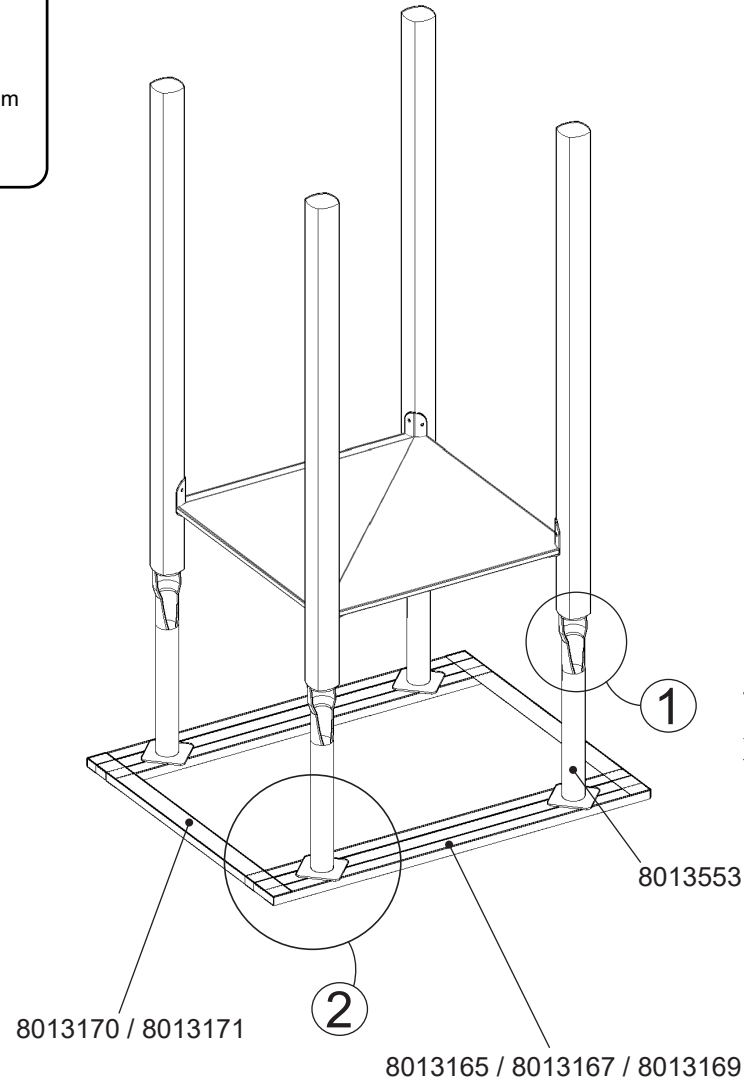


S



S		0,47m	8013553
---	--	-------	---------

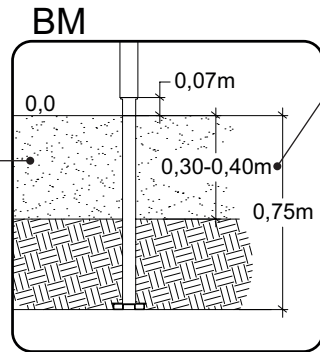
	0,80m	8013170
	1,45m	8013171
	0,62m	8013165
	1,00m	8013167
	1,65m	8013169



## BM

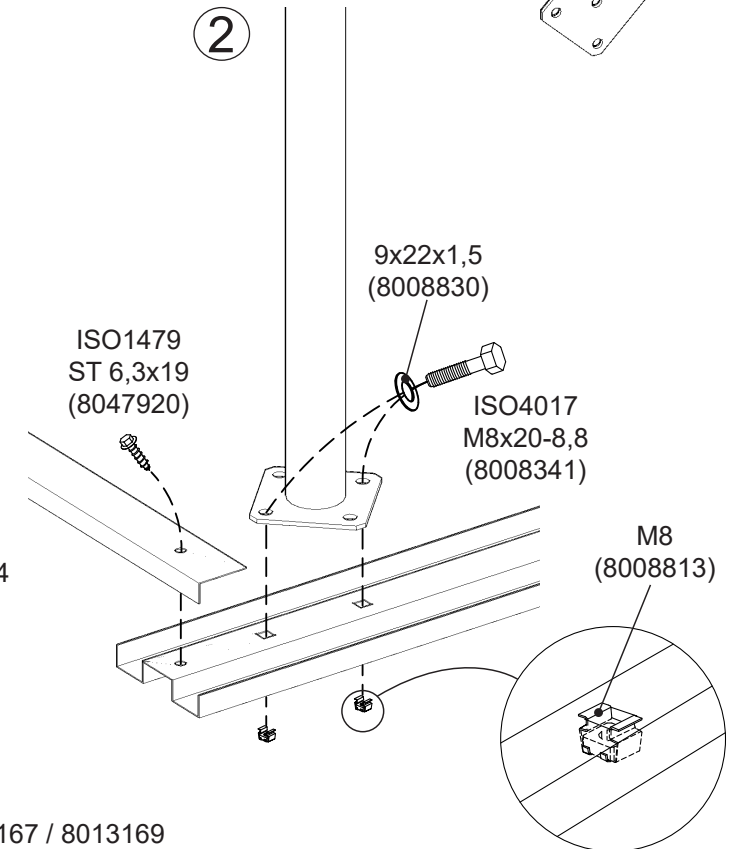
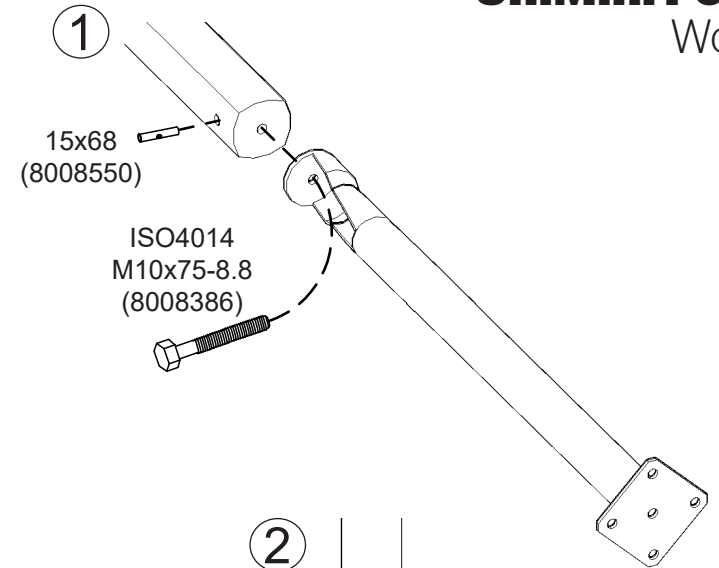
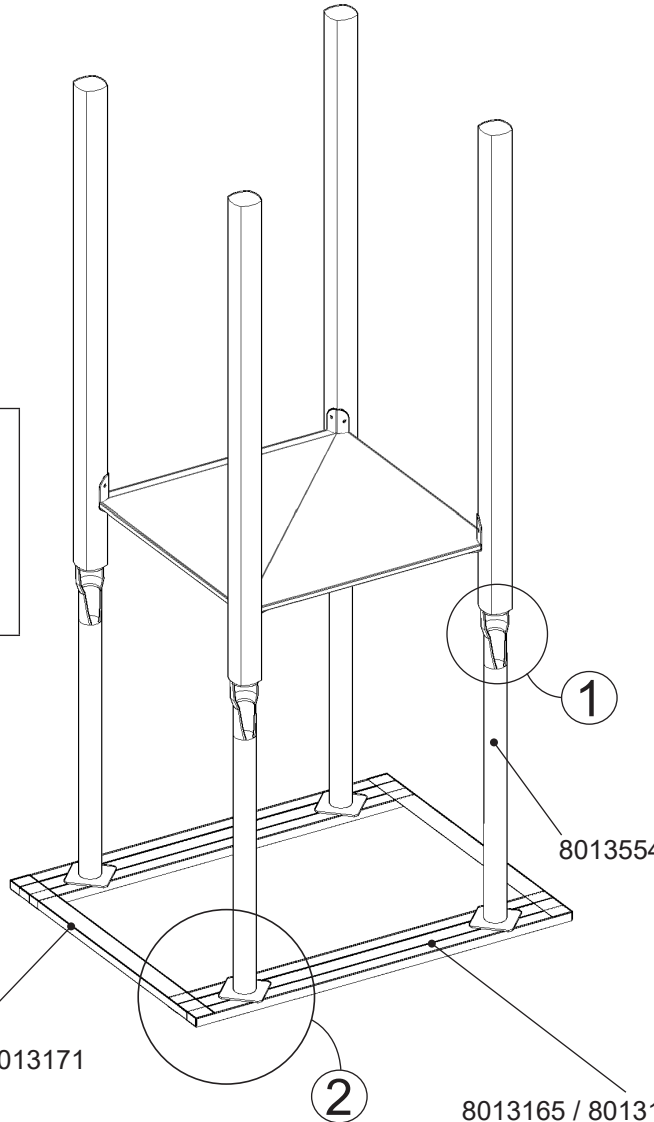
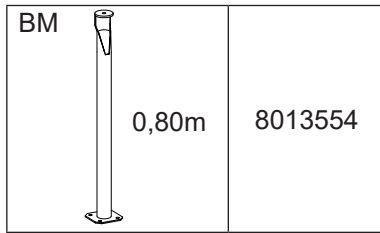
S1		144 - 1
S2		144 - 2
S3		144 - 3
S5		144 - 5

	0,80m	8013170
	1,45m	8013171
	0,62m	8013165
	1,00m	8013167
	1,65m	8013169

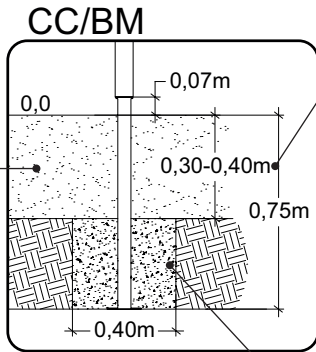


S39

≥EN1176  
≥ASTM F1487  
≥CPSC  
≥CSA Z614



S1		144 - 1
S2		144 - 2
S3		144 - 3
S5		144 - 5
BM		0,80m 8013554



S39

≥EN1176  
≥ASTM F1487  
≥CPSC  
≥CSA Z614

S25

S1 - S3  
≥C20-25

3 x 24h

101

