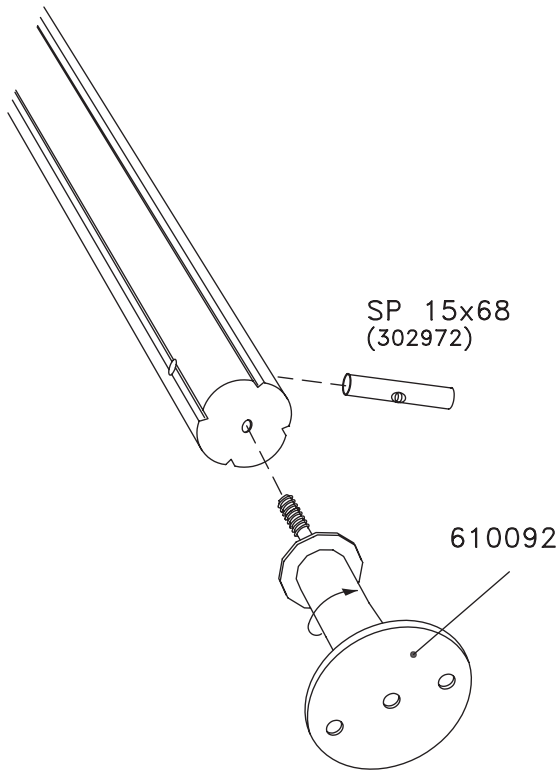
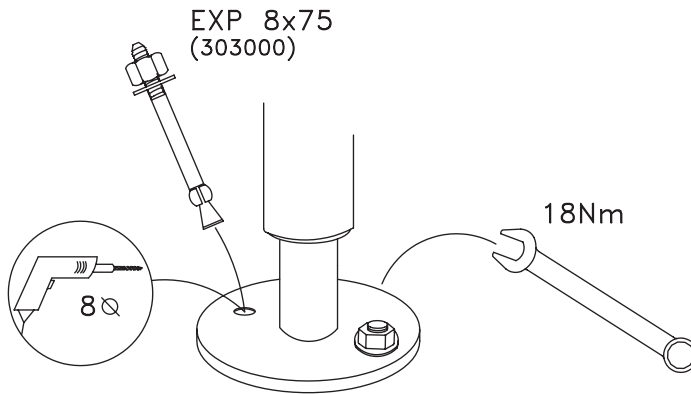


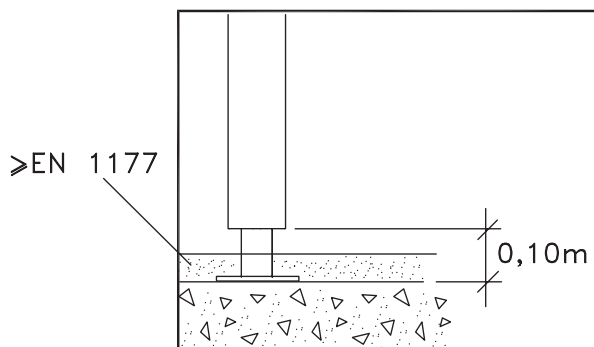
1



2



TYPE	HAGS.NO
aa 0,40m	61600401
ba 0,52m	61600521
ca 0,64m	61600641
da 0,76m	61600761
ea 0,88m	61600881
eb 0,92m	61600921
fa 1,00m	61601001
fb 1,04m	61601041
ga 1,12m	61601121
gb 1,16m	61601161
ha 1,24m	61601241
ja 1,36m	61601361
ka 1,48m	61601481
ma 1,60m	61601601
mb 1,64m	61601641
na 1,72m	61601721
oa 1,84m	61601841
pa 1,96m	61601961
ra 2,08m	61602081
sa 2,20m	61602201
ta 2,32m	61602321
ua 2,44m	61602441
va 2,56m	61602561
xa 2,68m	61602681



**HAGS** ANEBY, SWEDEN  
+46(0)380-47300  
www.hags.com

OM 6092 01

ACJ | JOT | 2006-01-12 | 0