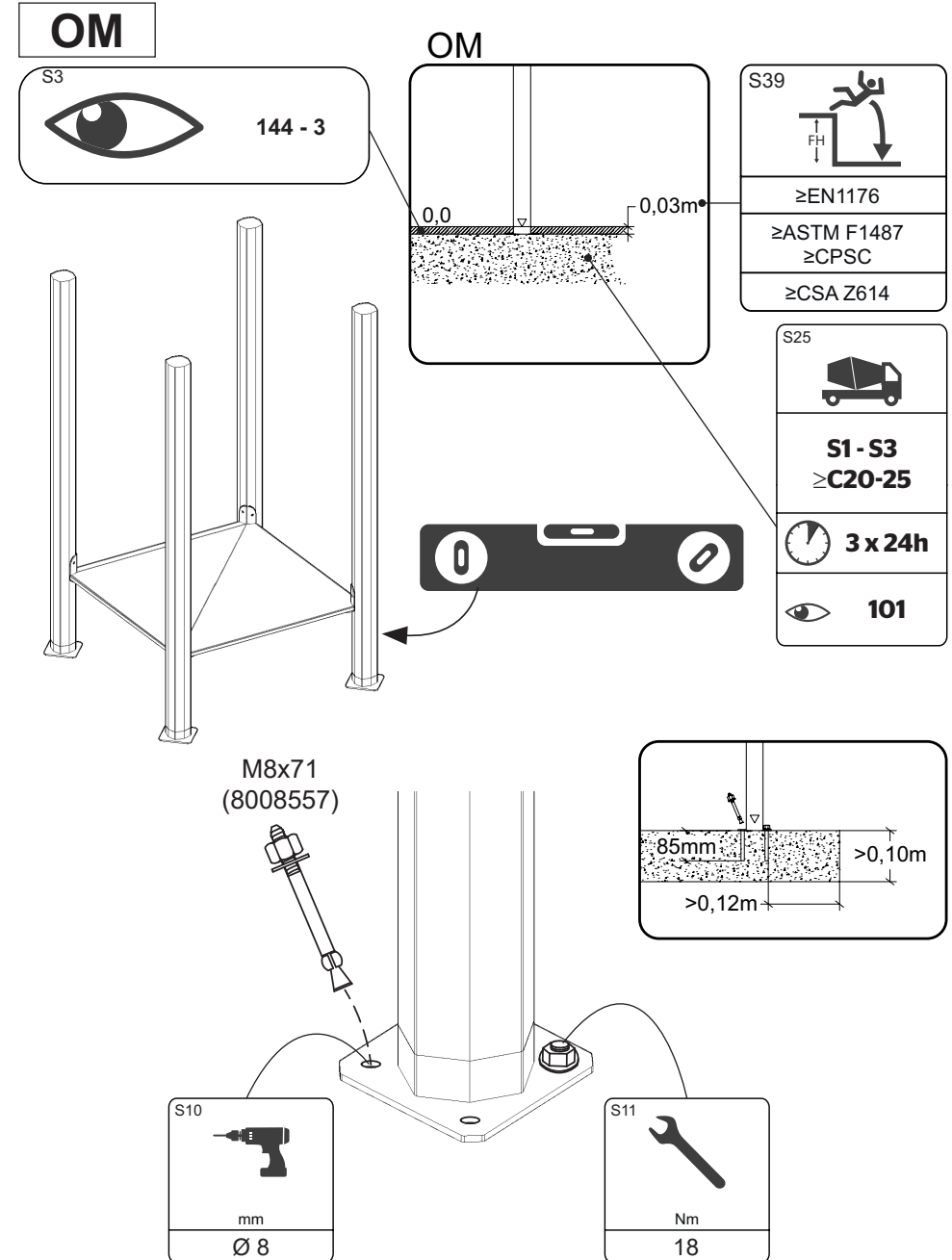
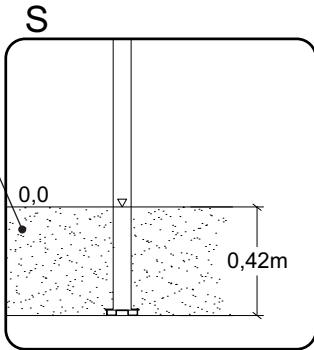
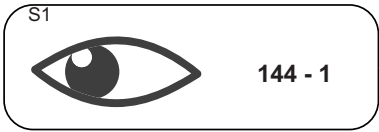







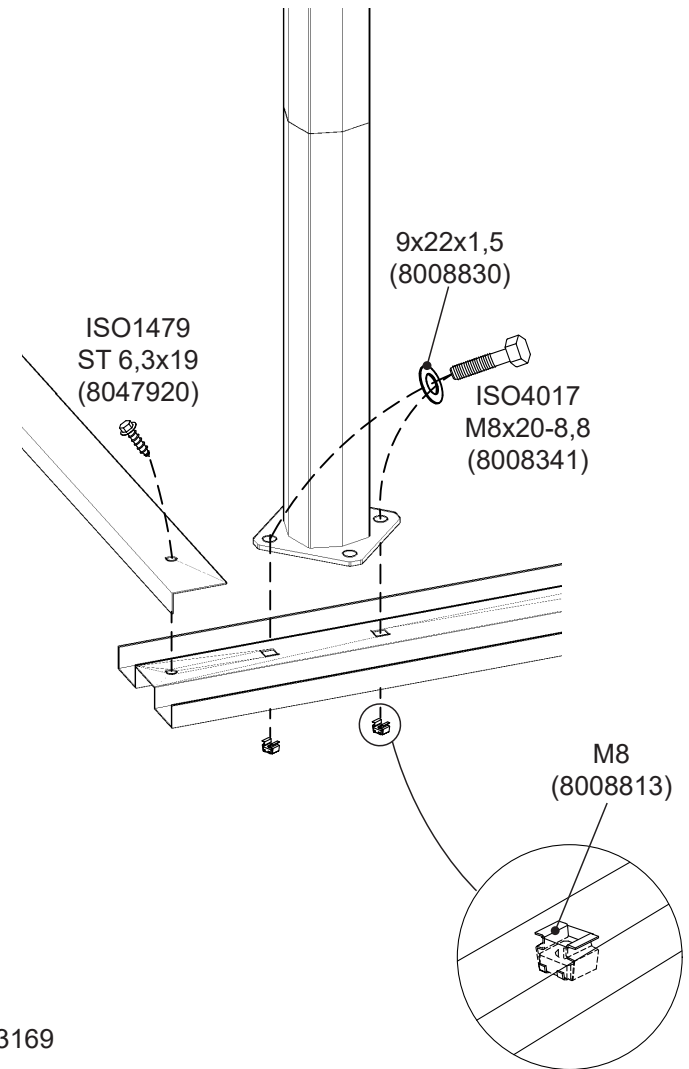
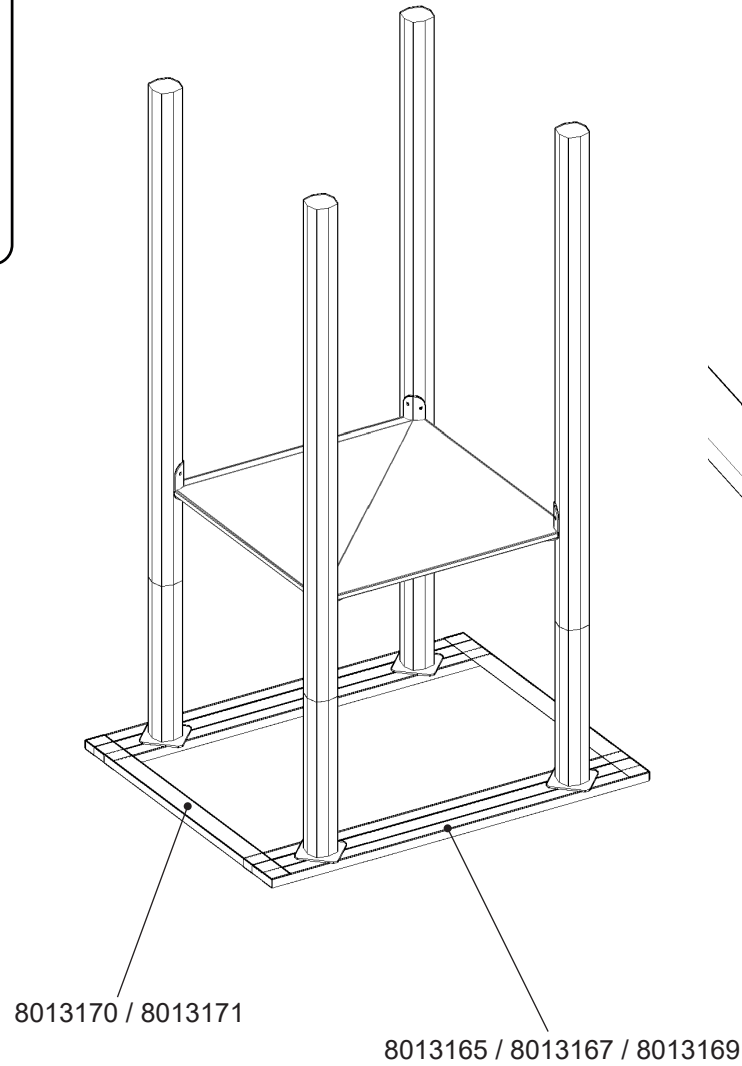
CODE	ART.NO S	LENGTH (L) S	ART.NO OM	LENGTH (L) OM	ART.NO BM	LENGTH (L) BM	HEIGHT (H)
sba	8013113	0,972m	8013344	0,602m	8109175	1,322m	0,57m
sca	8013114	1,092m	8013345	0,722m	8109178	1,442m	0,69m
sda	8013115	1,212m	8013346	0,842m	8109179	1,562m	0,81m
sea	8013116	1,332m	8013347	0,962m	8109181	1,682m	0,93m
seb	8013117	1,372m	8013348	1,002m	8109182	1,722m	0,97m
sfa	8013118	1,452m	8013349	1,082m	8109183	1,802m	1,05m
sfb	8013119	1,492m	8013350	1,122m	8109184	1,842m	1,09m
sga	8013120	1,572m	8013351	1,202m	8109185	1,922m	1,17m
sgb	8013121	1,612m	8013352	1,242m	8109186	1,962m	1,21m
sgc	8013122	1,652m	8013353	1,282m	8109188	2,002m	1,25m
sha	8013123	1,692m	8013354	1,322m	8109189	2,042m	1,29m
sja	8013124	1,812m	8013355	1,442m	8109190	2,162m	1,41m
sjb	8097746	1,852m	8025226	1,482m	8109191	2,202m	1,45m
ska	8013125	1,932m	8013356	1,562m	8109192	2,282m	1,53m
sma	8013126	2,052m	8013357	1,682m	8109193	2,402m	1,65m
smb	8013127	2,092m	8013358	1,722m	8109194	2,442m	1,69m
sna	8013128	2,172m	8013359	1,802m	8109195	2,522m	1,77m
soa	8013129	2,292m	8021012	1,922m	8109196	2,642m	1,89m
spa	8013130	2,412m	8013360	2,042m	8109200	2,762m	2,01m
spb	8013131	2,452m	8013361	2,082m	8109201	2,802m	2,05m
sra	8013132	2,532m	8013362	2,162m	8109202	2,882m	2,13m
ssa	8013133	2,652m	8013363	2,282m	8109203	3,002m	2,25m
sta	8013134	2,772m	8013364	2,402m	8109204	3,122m	2,37m
sua	8013135	2,892m	8013365	2,522m	8109205	3,242m	2,49m
sxa	8013136	3,132m	8013366	2,762m	8109207	3,482m	2,73m







S








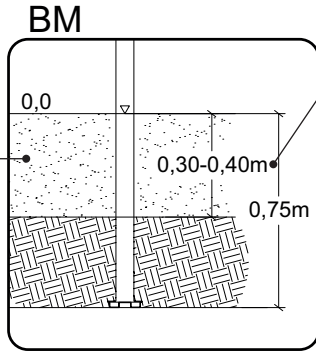
 0,80m	8013170
 1,45m	8013171
 0,62m	8013165
 1,00m	8013167
 1,65m	8013169



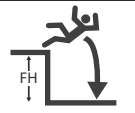
BM

S1		144 - 1
S2		144 - 2
S3		144 - 3
S5		144 - 5

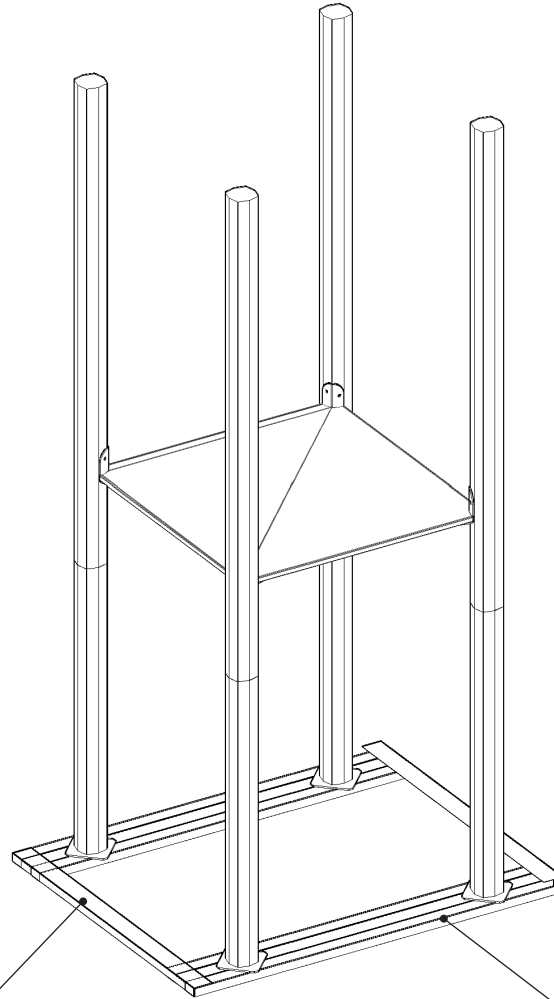
	0,80m	8013170
	1,45m	8013171
	0,62m	8013165
	1,00m	8013167
	1,65m	8013169



S39

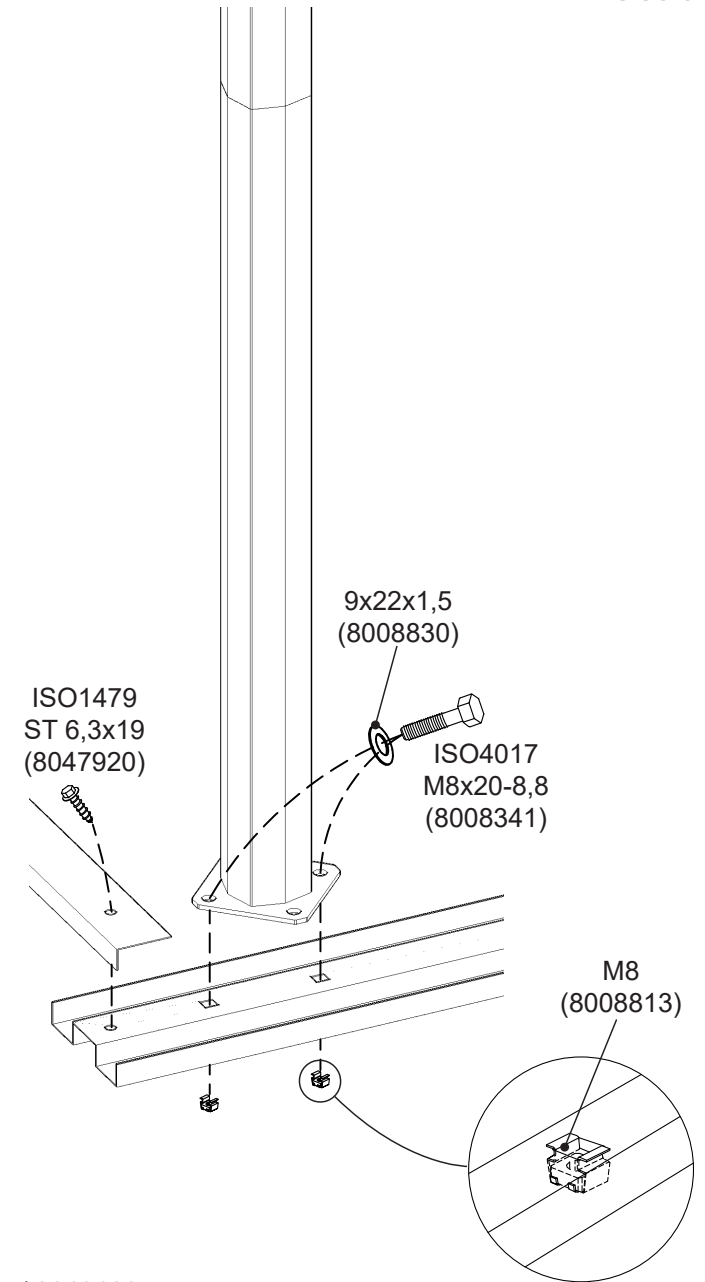






≥EN1176
≥ASTM F1487
≥CPSC
≥CSA Z614

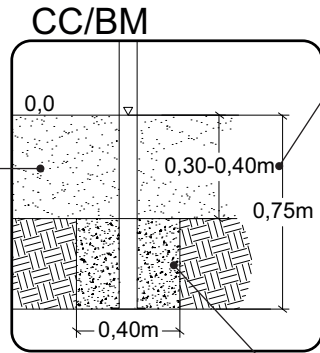


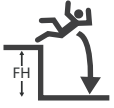
8013170 / 8013171

8013165 / 8013167 / 8013169



- S1  144 - 1
- S2  144 - 2
- S3  144 - 3
- S5  144 - 5




S39 

≥EN1176

≥ASTM F1487


≥CPSC


≥CSA Z614

S25 

S1 - S3

≥C20-25

 3 x 24h

 101

