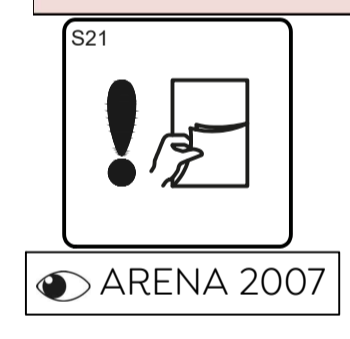


Code	Name	Quantity
SAG2B	Standard Goal Section	1
SAMBR	Basketball Backboard c/w Hoop	1
TOTAL		2



REVISION		
33792		
20/10/04	ORIGINAL	A
04/06/10	AMENDMENT BY JF CHECK BY NB Border amended for international use.	B
MASW107048		
07/02/24	DOCID UPDATED	0

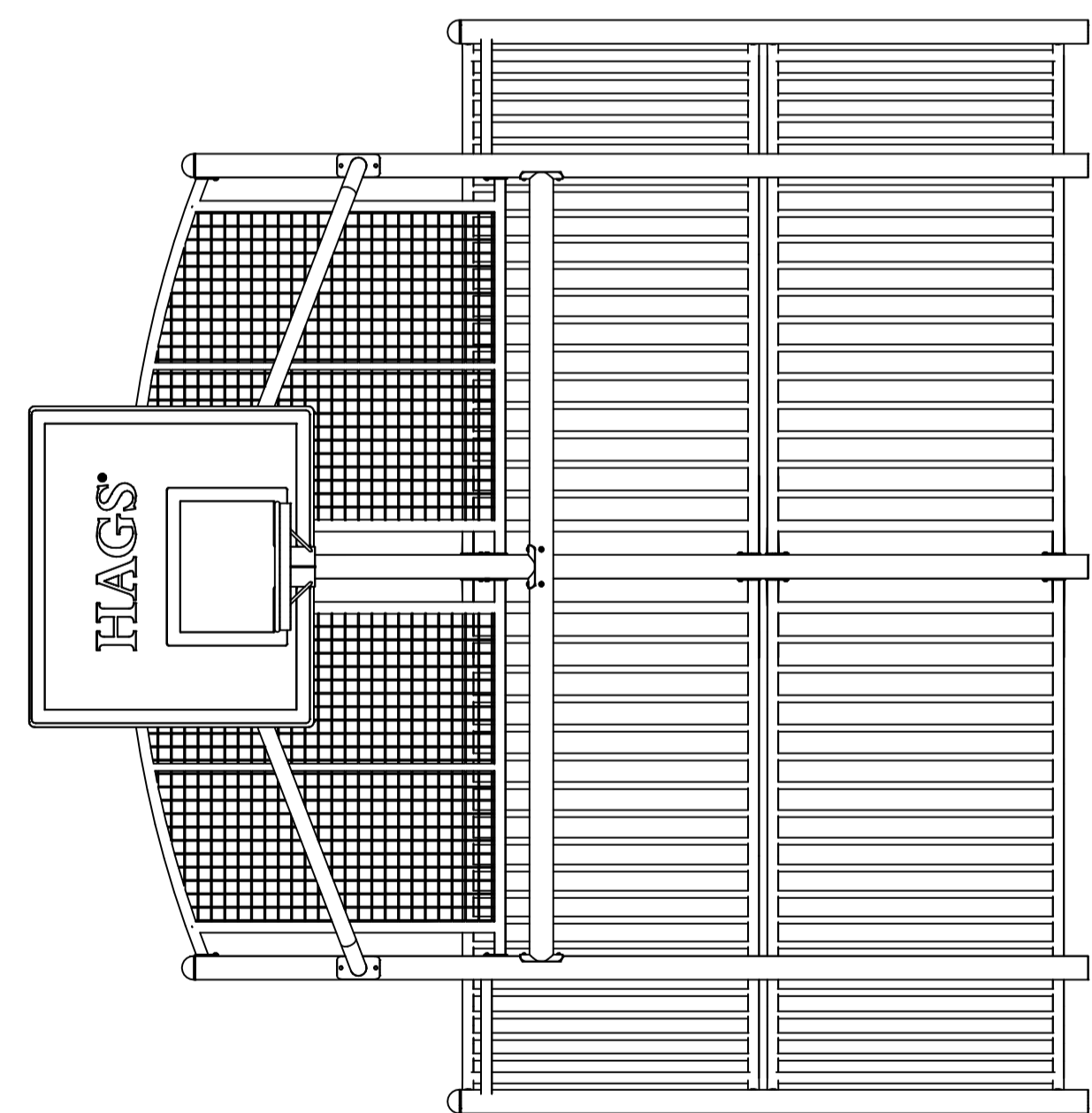
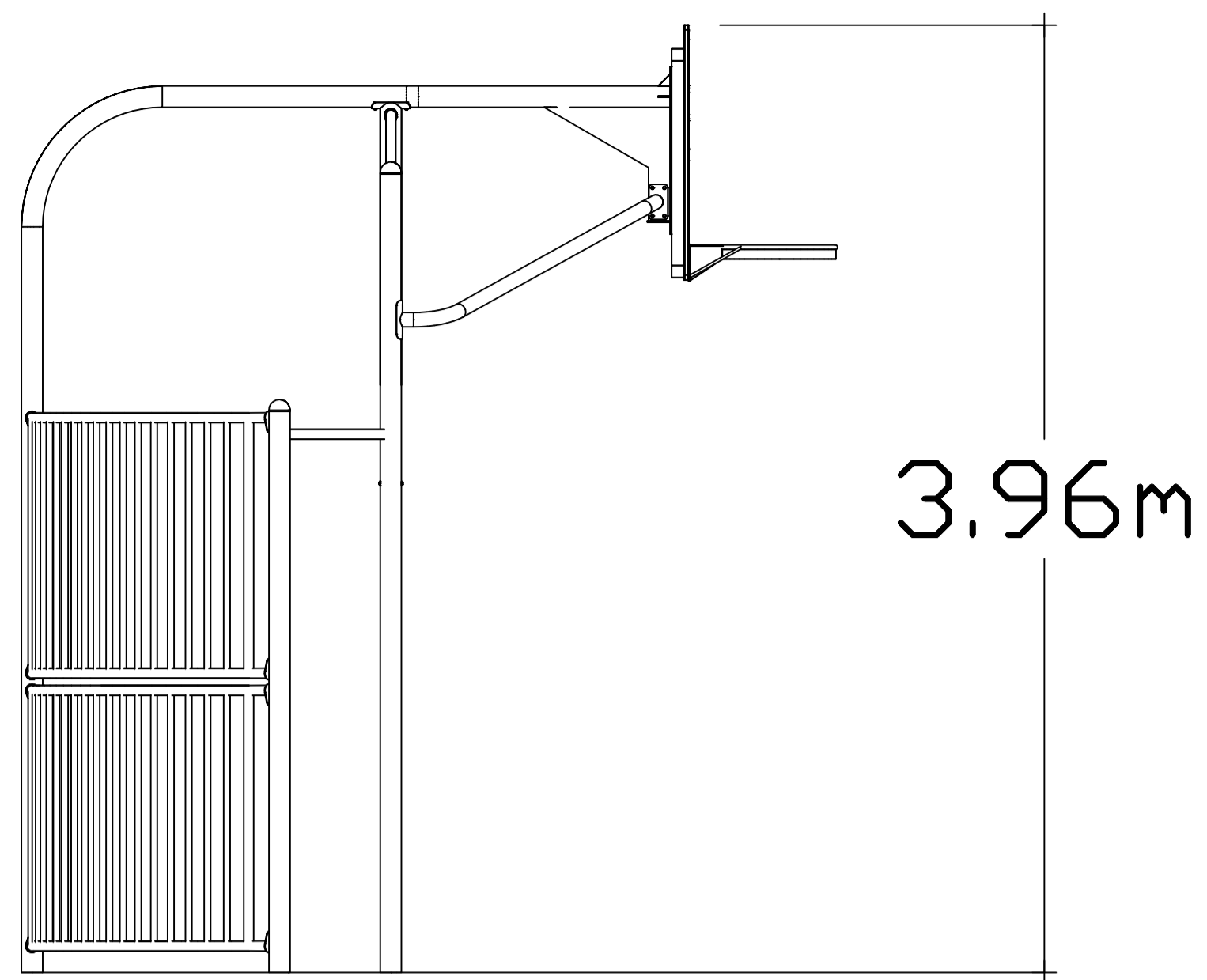
TITLE
SA-PL
ARENA PHILADELPHIA

HAGS®
 T: +46 380 473 00 E: hags@hags.com W: www.hags.com

DATE: 07/02/2024
 DRAWN BY: JW CHECKED BY: CCW

DRAWING NUMBER: MASW107048 REVISION 0

© HAGS 2024 SHEET 1 OF 2



TITLE
SA-PL
ARENA PHILADELPHIA

HAGS®

T: +46 380 473 00 E: hags@hags.com W: www.hags.com

DATE: 07/02/2024
 DRAWN BY: JW CHECKED BY: CCW

DRAWING NUMBER: MASW107048 REVISION 0

© HAGS 2024 SHEET 2 OF 2