

Code	Name	Quantity
SAG2B	Standard Goal Section	1
SAGAP	Arch Side - Mesh/Panel	2
SAMBR	Basketball Backboard c/w Hoop	1
SAP20	2m High Post	4
SA2LB	2m Lower Bar Panel	4
SA2UM	2m Upper Mesh Panel	2
TOTAL		14



#### REVISION

33794	20/10/04	ORIGINAL	A
04/06/10		AMENDMENT BY JF CHK BY NB Border amended for international use.	B
MASW107057	27/02/24	DOCID UPDATED	0

#### TITLE

**SA-UT  
ARENA UTAH**

**HAGS®**

T: +46 380 473 00 E: hags@hags.com W: www.hags.com

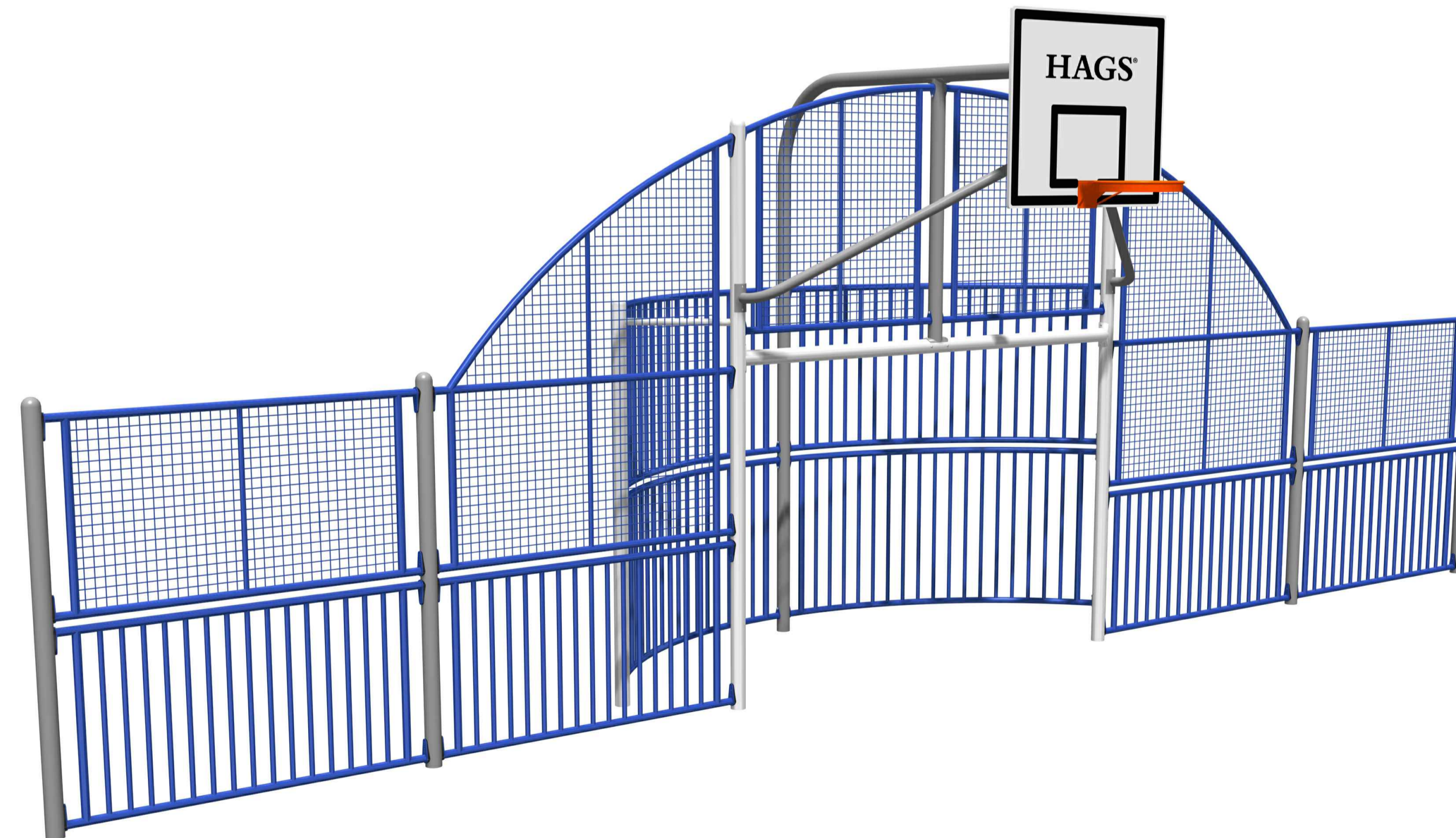
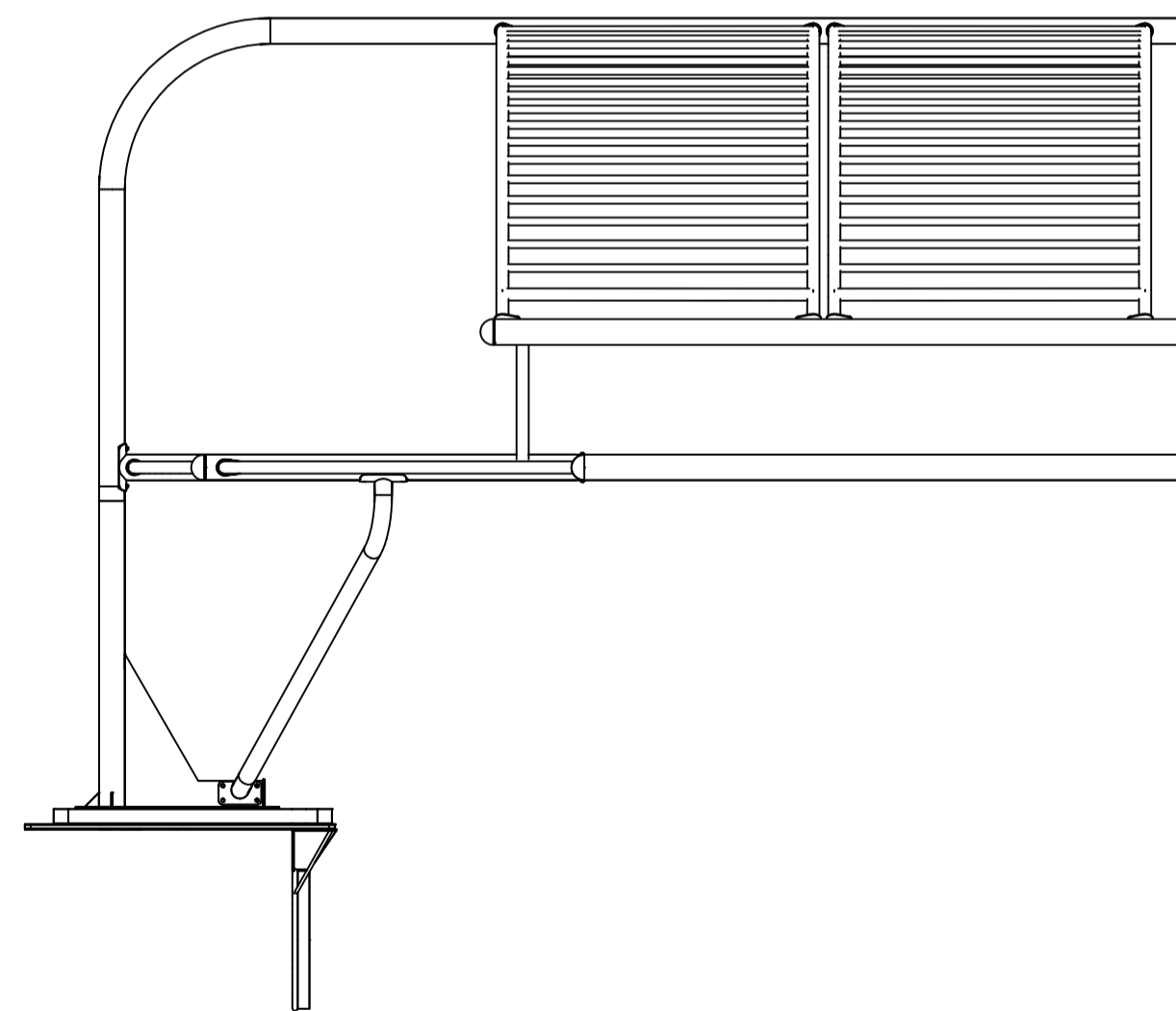
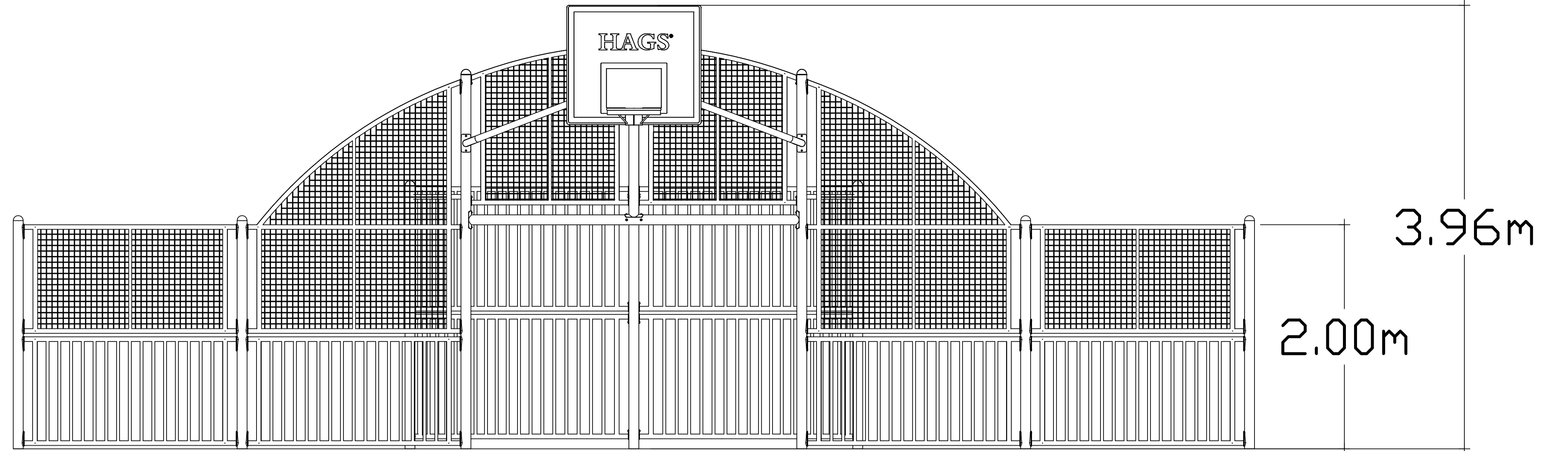
DATE: 27/02/2024

DRAWN BY: JW CHECKED BY: CCW

DRAWING NUMBER: MASW107057 REVISION: 0

© HAGS 2024

SHEET 1 OF 2



**TITLE**  
**SA-UT**  
**ARENA UTAH**

**HAGS®**  
 T: +46 380 473 00 E: hags@hags.com W: www.hags.com

DATE: 27/02/2024  
 DRAWN BY: JW CHECKED BY: CCW

DRAWING NUMBER: MASW107057 REVISION 0

© HAGS 2024 SHEET 2 OF 2