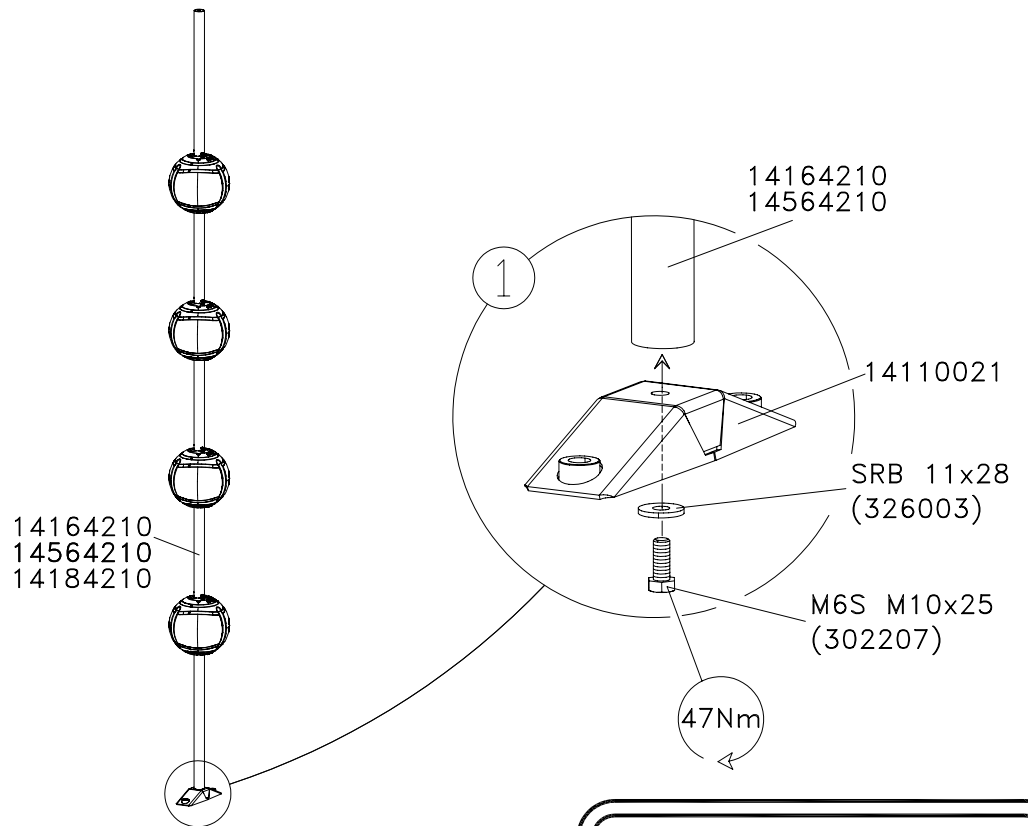


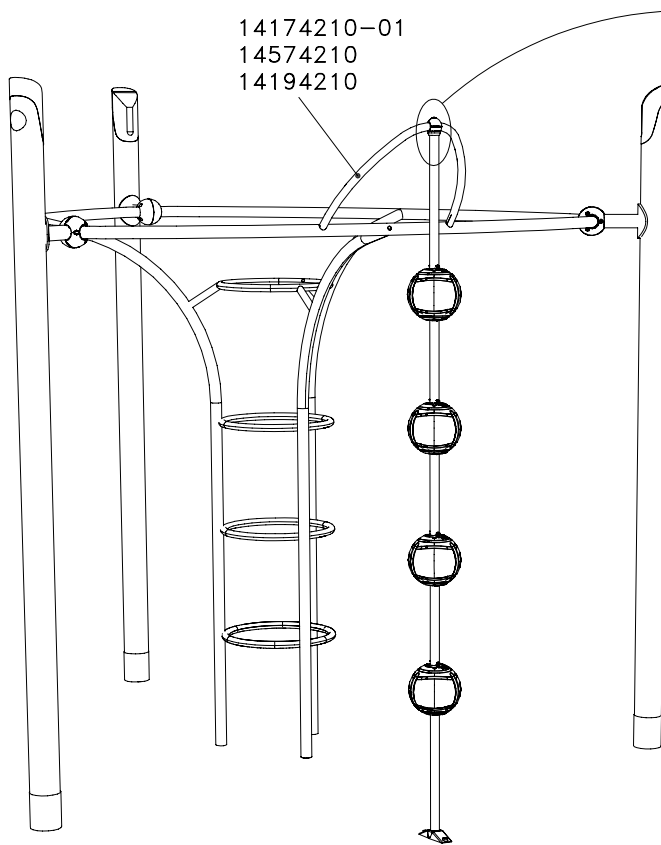
TYPE	ART.NO
	14174210-01 14574210 14194210
	14164210 14564210 14184210
	14110021
	L=2,90m 0,24x0,08m



HAGS		ANEBY, SWEDEN +46(0)380-47300 www.hags.com	
Trunk			
142 642 OM			
1(2)			
	MN		TJ
2009-11-13		2	

142745 OM

14174210-01
14574210
14194210



2

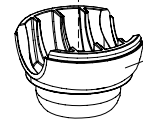
COVER 8
(261808)

MF6S 8x90
(302914)

260768



260769



3

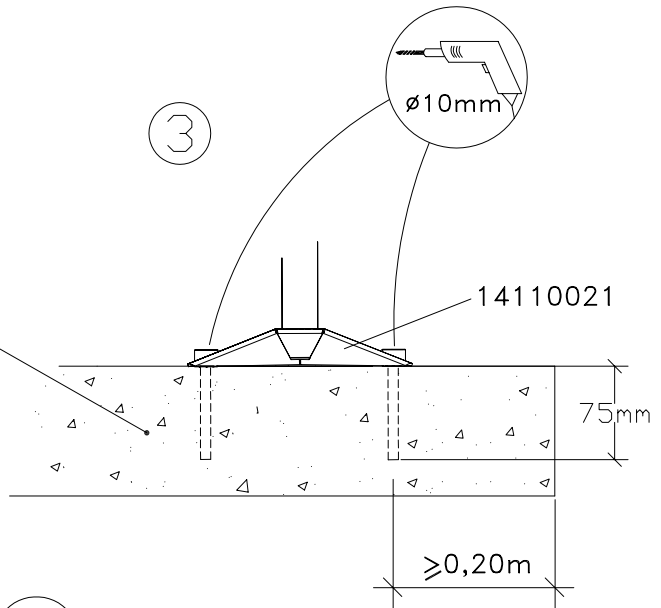
Ø10mm

14110021

4x24h !

>C20/25
S1-S3
(EN 206-1)

101

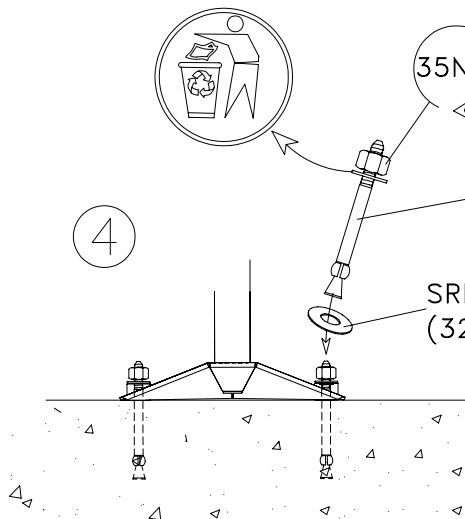


4

35Nm

EXP M10x80
(2x)(303005)

SRB 10,5x28x3
(326003)



HAGS

ANEBY, SWEDEN
+46(0)380-47300
www.hags.com

Trunk
142 642 OM
2(2)

MN TJ 2009-11-13 2