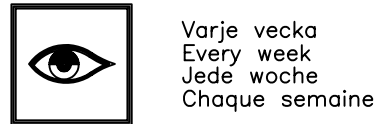
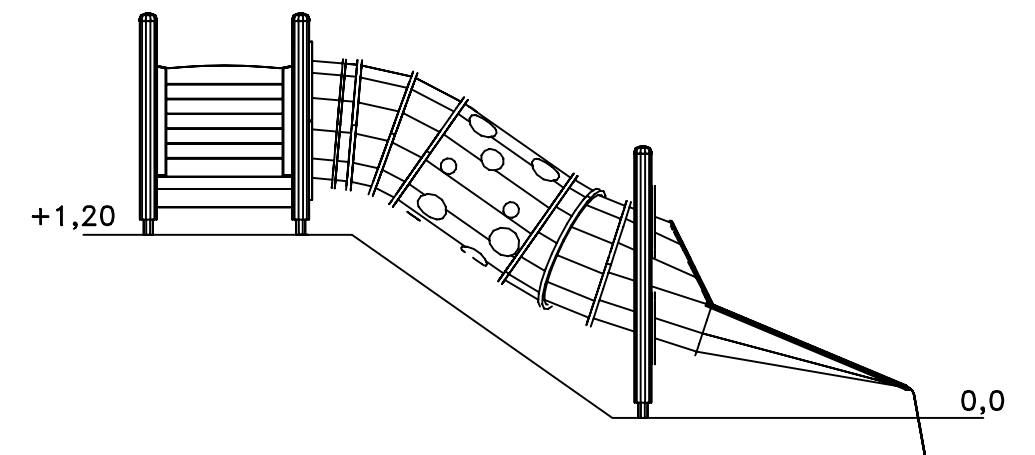


18 h

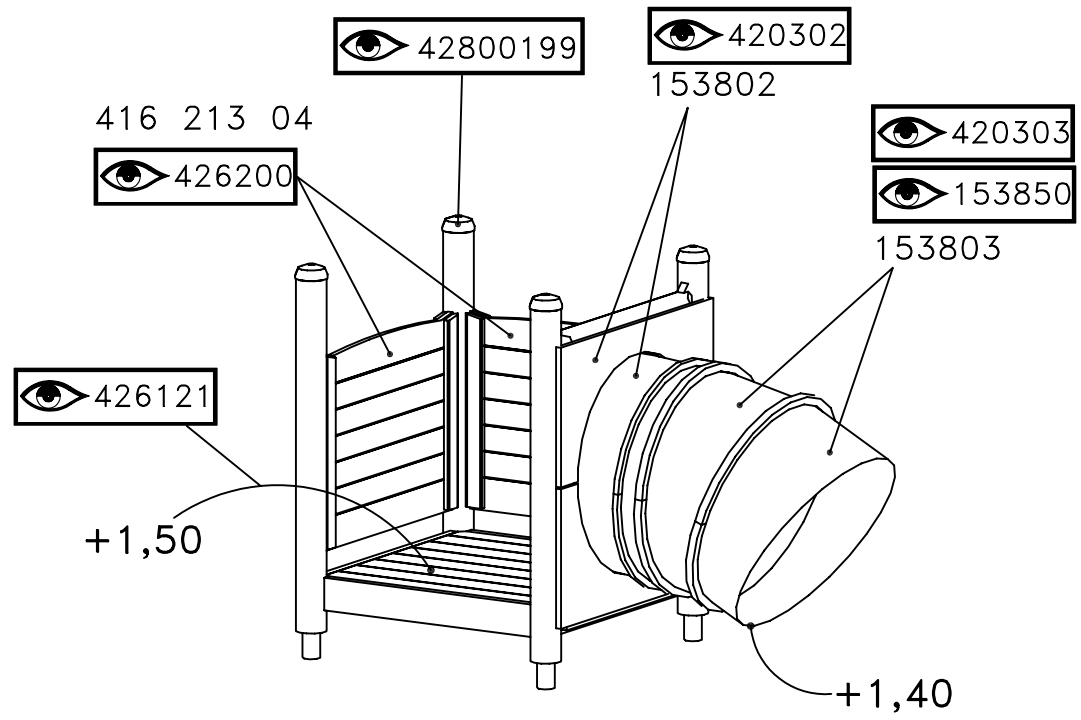


5-12

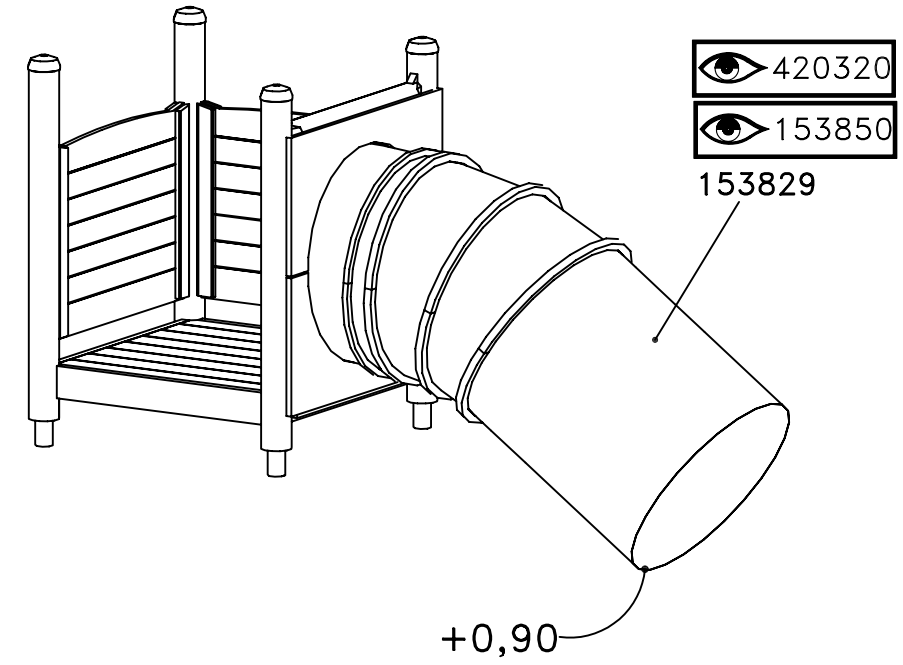
|             |          |                 |                |
|-------------|----------|-----------------|----------------|
| <b>HAGS</b> |          | ANEBY, SWEDEN   |                |
|             |          | +46(0)380-47300 |                |
|             |          | www.hags.com    |                |
| Rider       |          |                 |                |
| 133         |          | 374             |                |
| 1(2)        |          |                 |                |
| ACJ         | eye icon | NN              | 2009-05-06   2 |



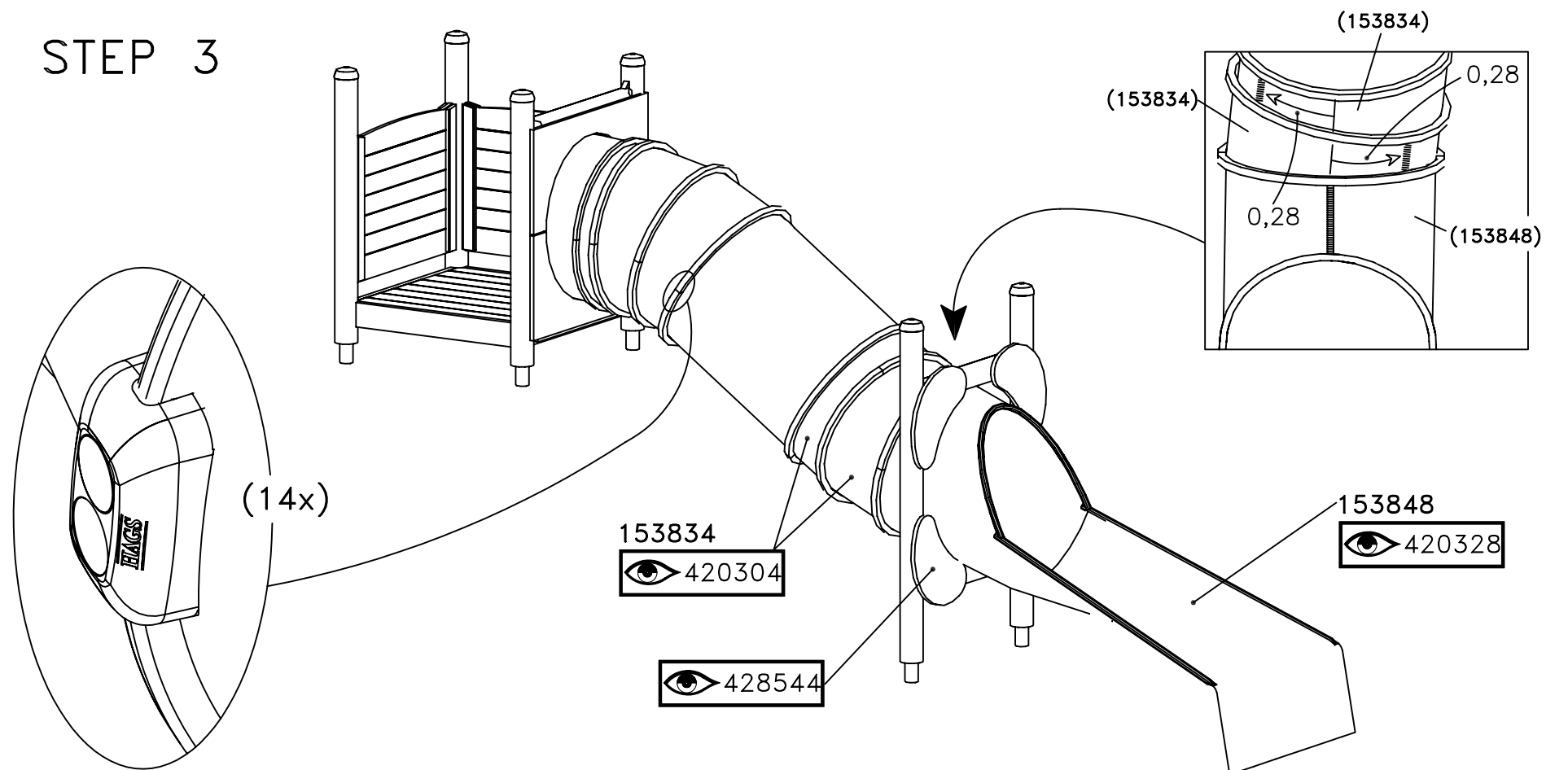
# STEP 1



# STEP 2



# STEP 3



|             |    |                 |   |
|-------------|----|-----------------|---|
| <b>HAGS</b> |    | ANEBY, SWEDEN   |   |
|             |    | +46(0)380-47300 |   |
|             |    | www.hags.com    |   |
| Rider       |    |                 |   |
| 133         |    | 374             |   |
| 2(2)        |    |                 |   |
| ACJ         | NN | 2009-05-06      | 2 |