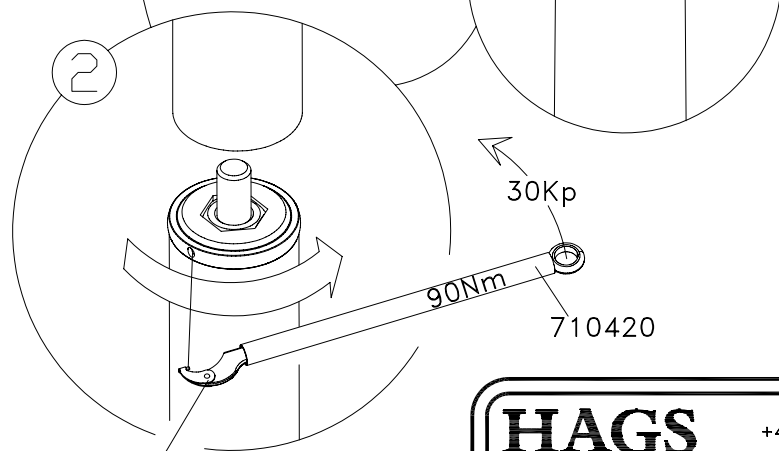
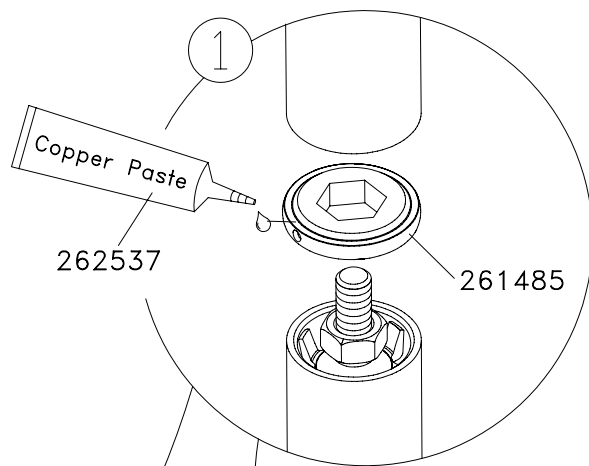
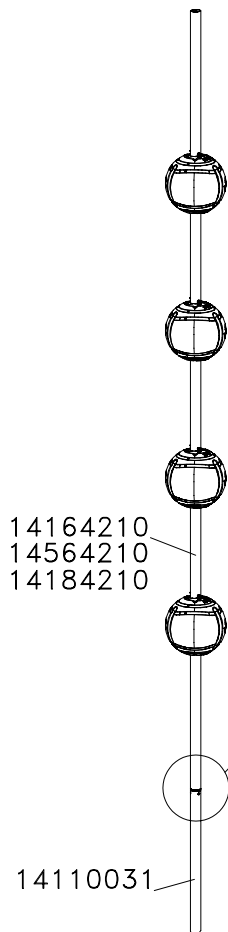



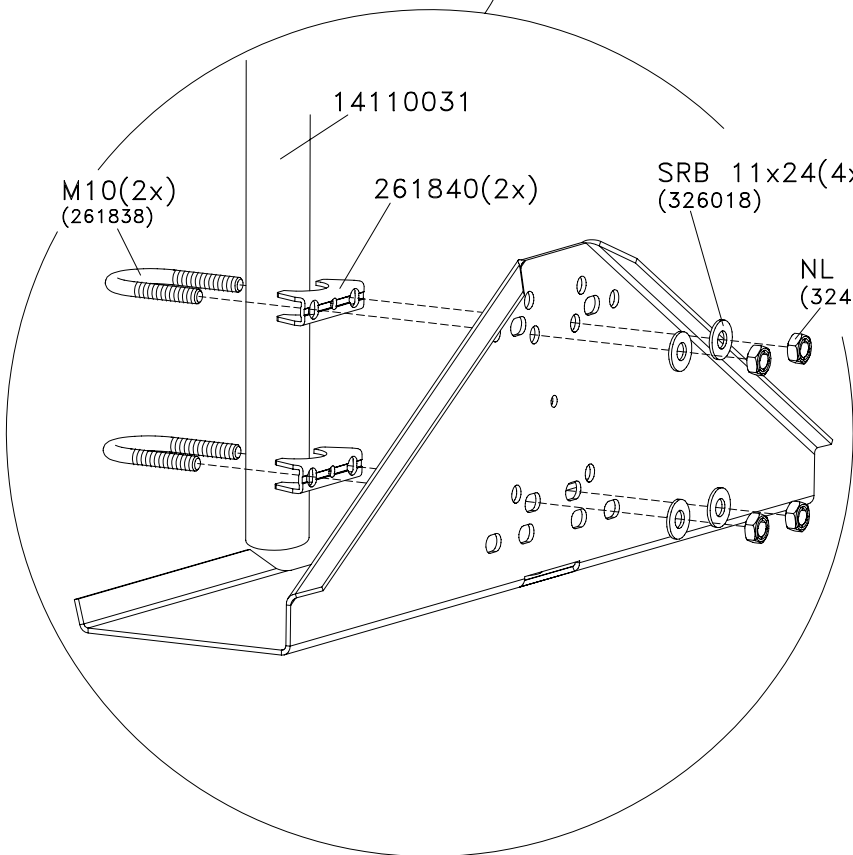
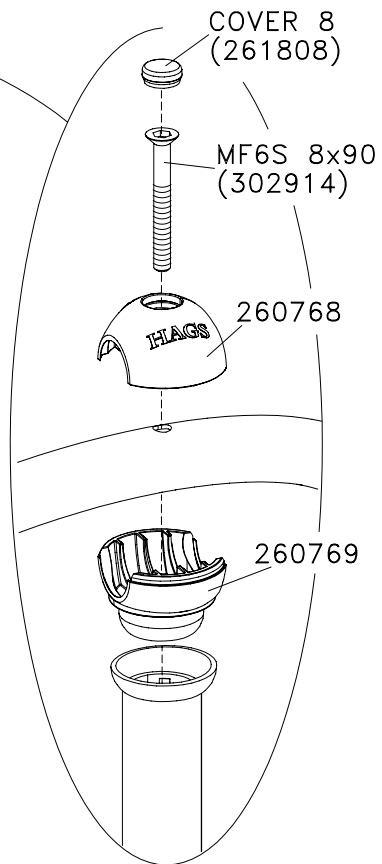
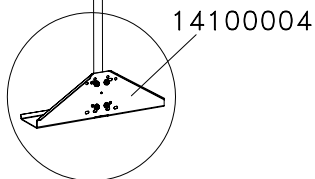
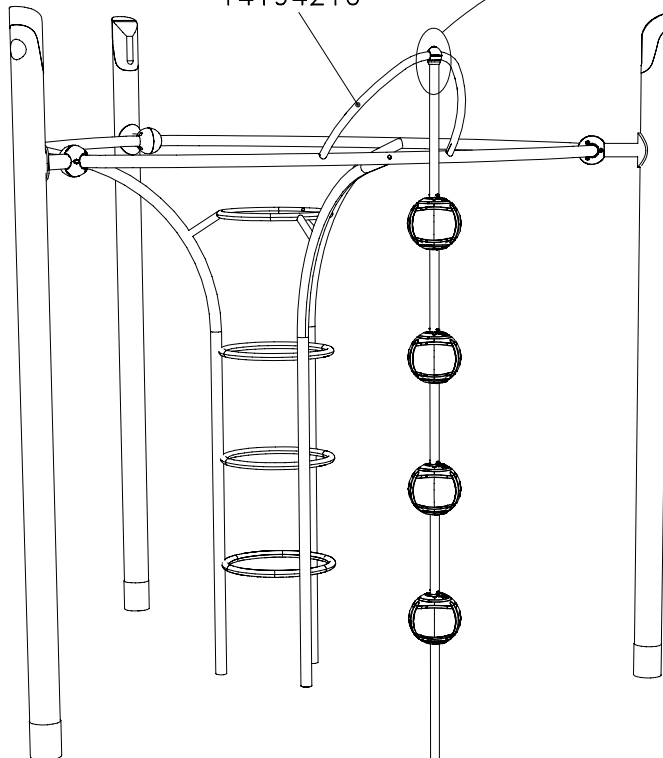
TYPE	ART.NO
	14174210-01 14574210 14194210
	14164210 14564210 14184210
	L=2,90m
	ø38mm L=0,67m
	0,20x0,15x1,00m
	14110031
	14100004





261487

HAGS		ANEBY, SWEDEN	
		+46(0)380-47300	
		www.hags.com	
Trunk			
142 642 BM			
1(2)			
	AK		TJ
		2009-11-13	2

 142745
 14174210-01
 14574210
 14194210



HAGS		ANEBY, SWEDEN	
		+46(0)380-47300	
		www.hags.com	
Trunk			
142 642 BM			
2(2)			
	AK	 TJ	2009-11-13 2