

POS-NR POS-NO	ART-NR ART-NO	ANTAL/QUANTITY MENGE/QUANTITE
STEP 1		
142000100M	14100011	2
	14160055	1
	14160056	1
142651	14165110	1
	14165111	1
	14165112	2
STEP 2		
1426430M	14164310	1
1426920M	14168210	1
	14169210	1
	14169221	1
	14169222	1
STEP 3		
1426610M	14166210	1
	14110026	1
142676	14167610	1
	14440490M	1

**HAGS** ANEBY, SWEDEN  
+46(0)380-47300  
www.hags.com

Joz  
1 444040M  
I(IV)

UD MN 2007-08-08 1



21h



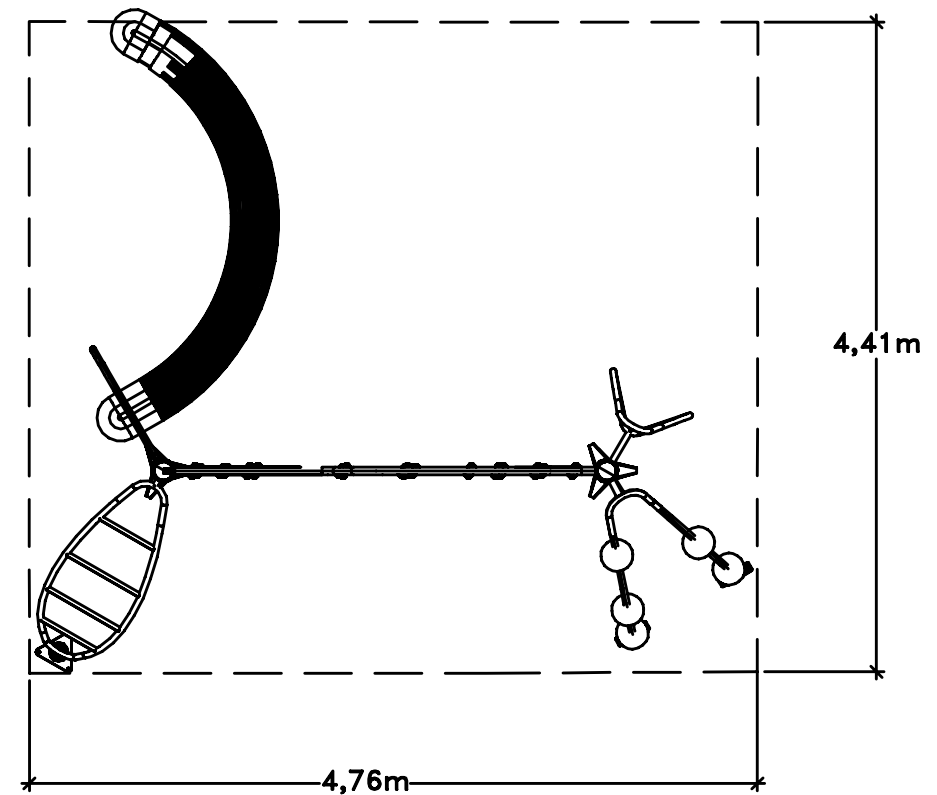
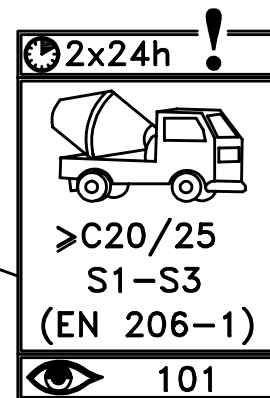
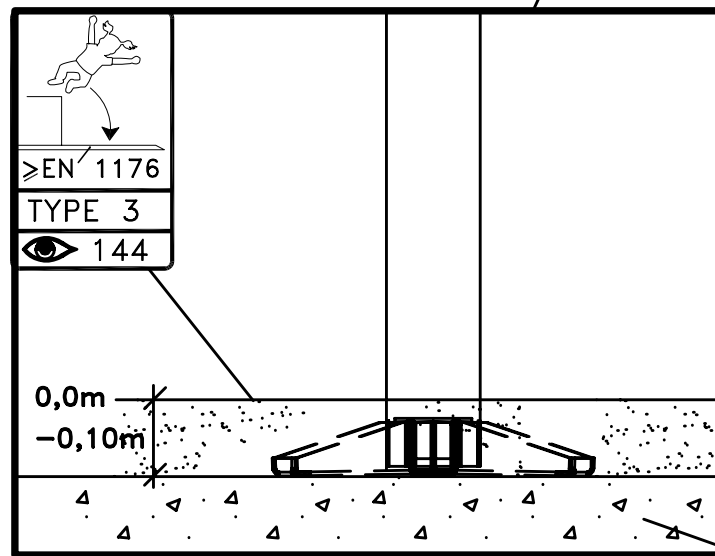
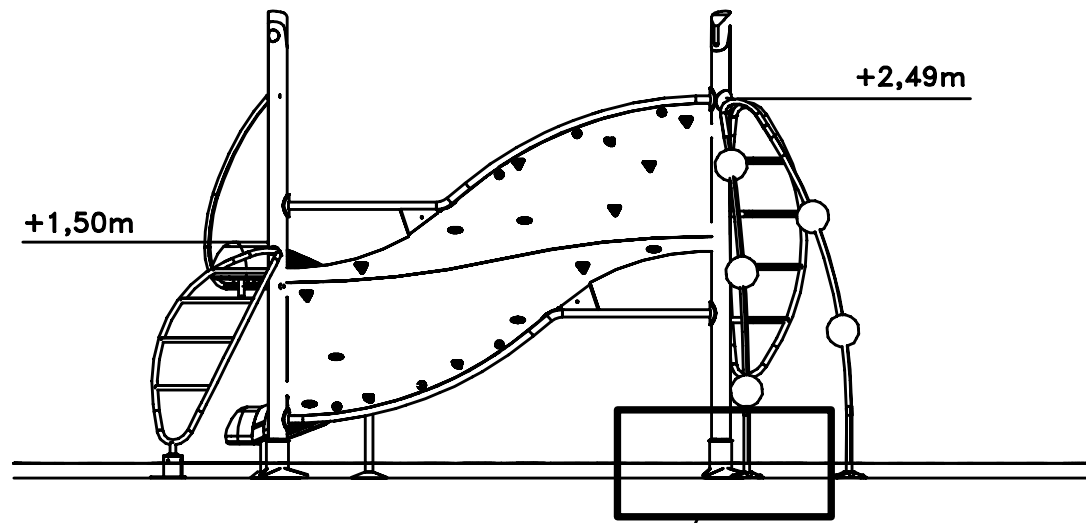
Varje vecka  
Every week  
Jede woche  
Chaque semaine



Varje säsong  
Every season  
Jedes Jahr  
Chaque saison



5-12

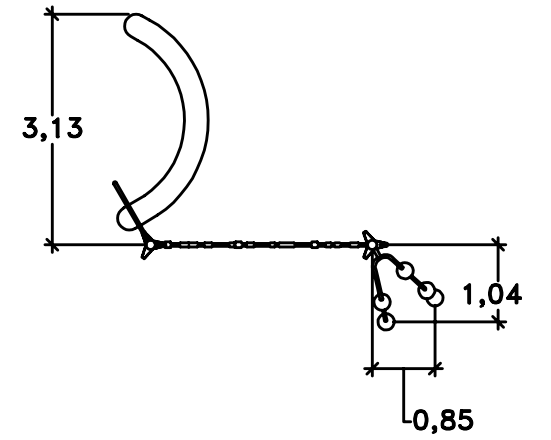
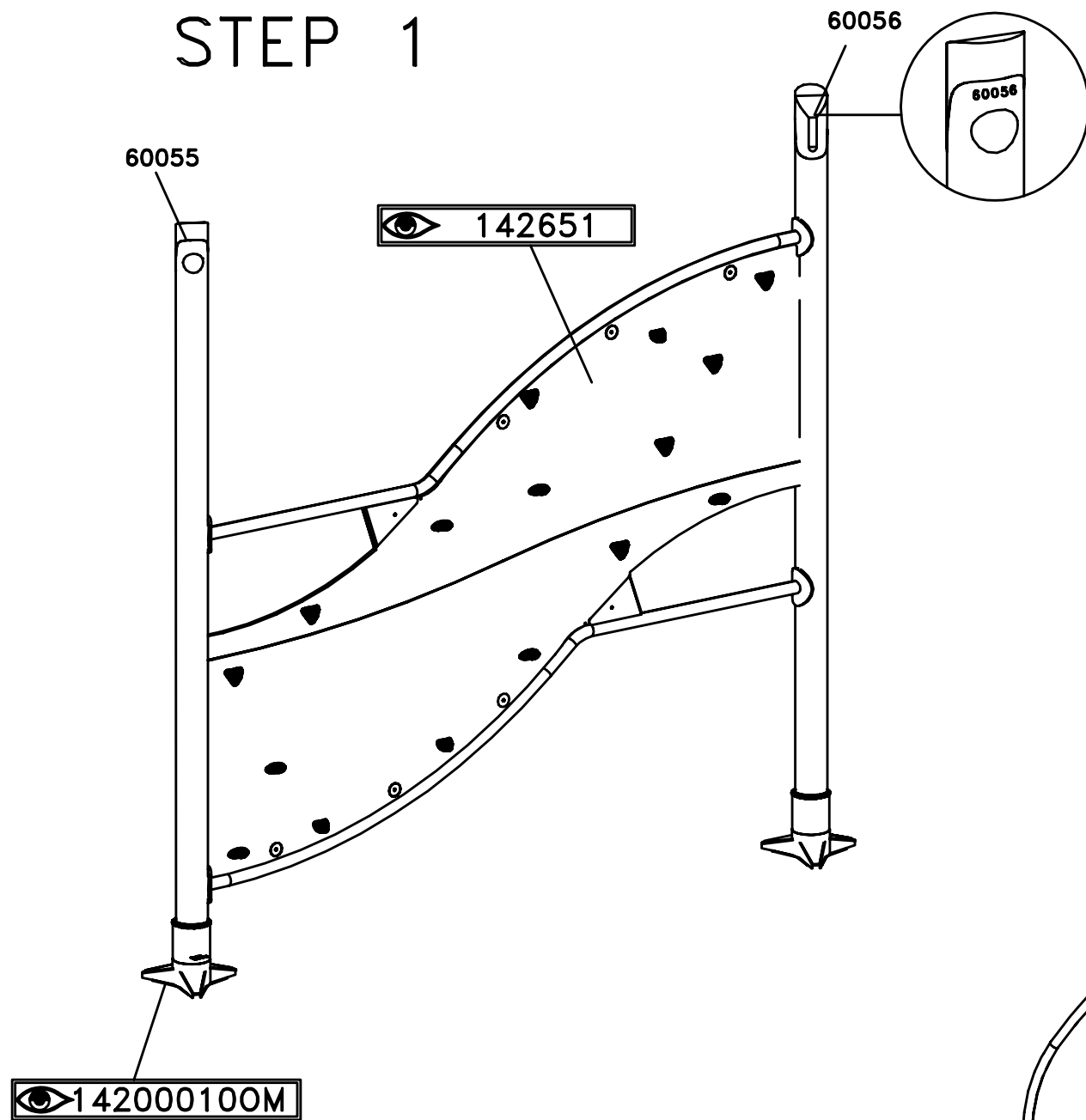
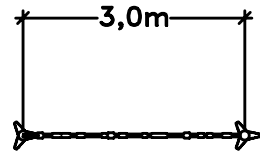


**HAGS** ANEBY, SWEDEN  
 +46(0)380-47300  
 www.hags.com

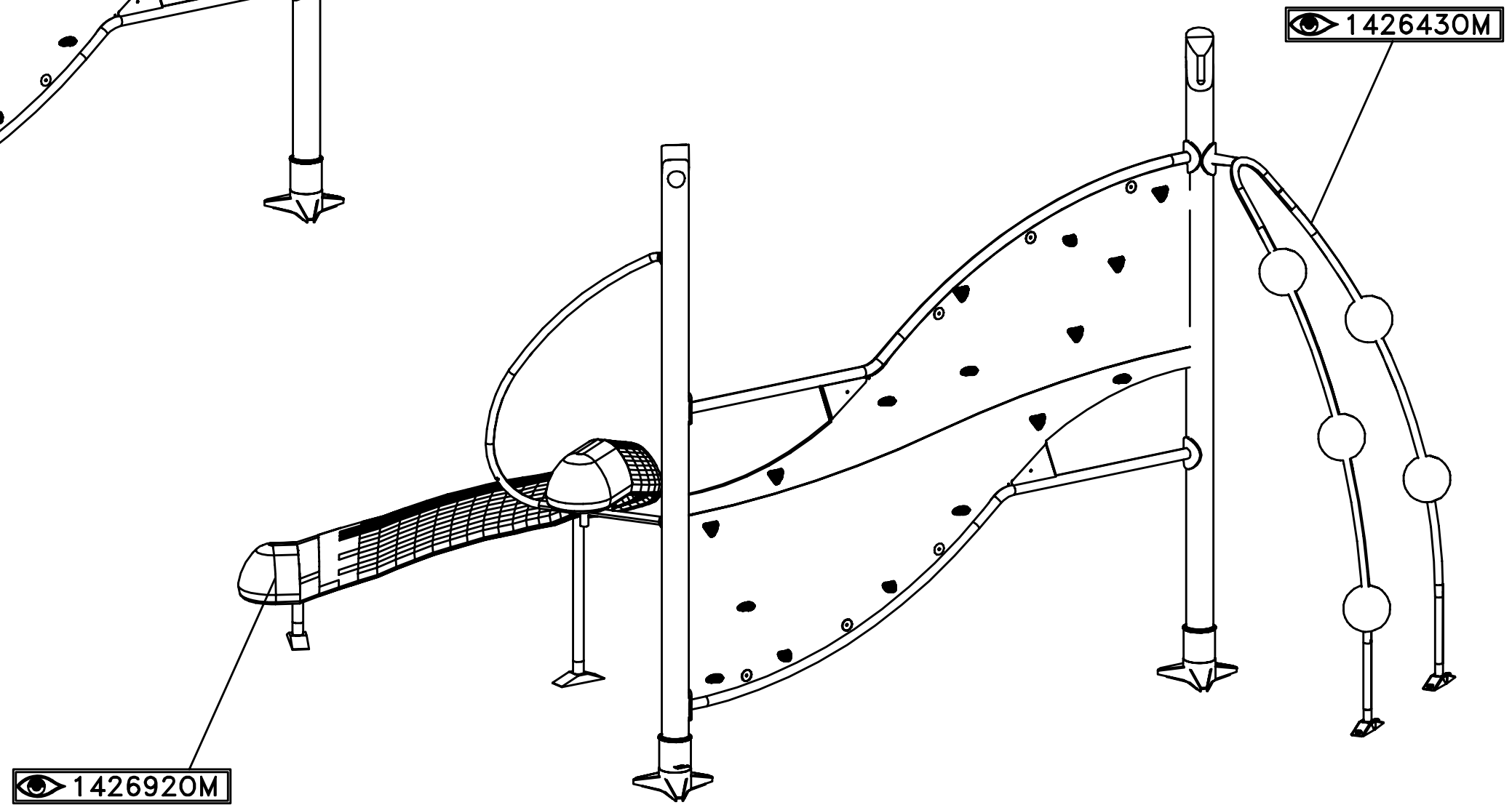
Joz  
 1 444040M  
 II(IV)

UD MN

# STEP 1

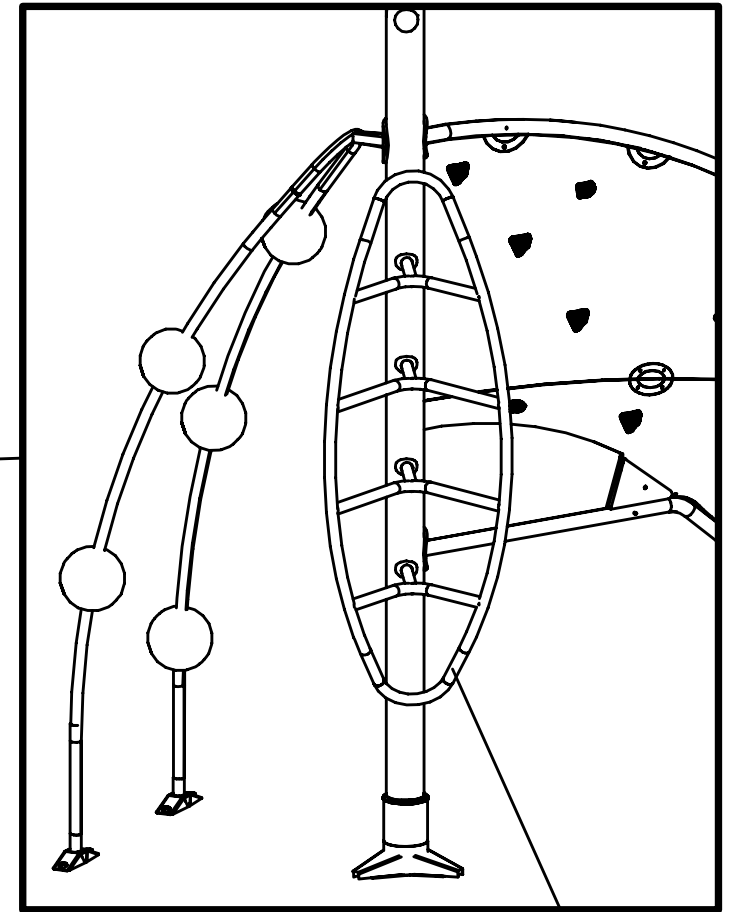
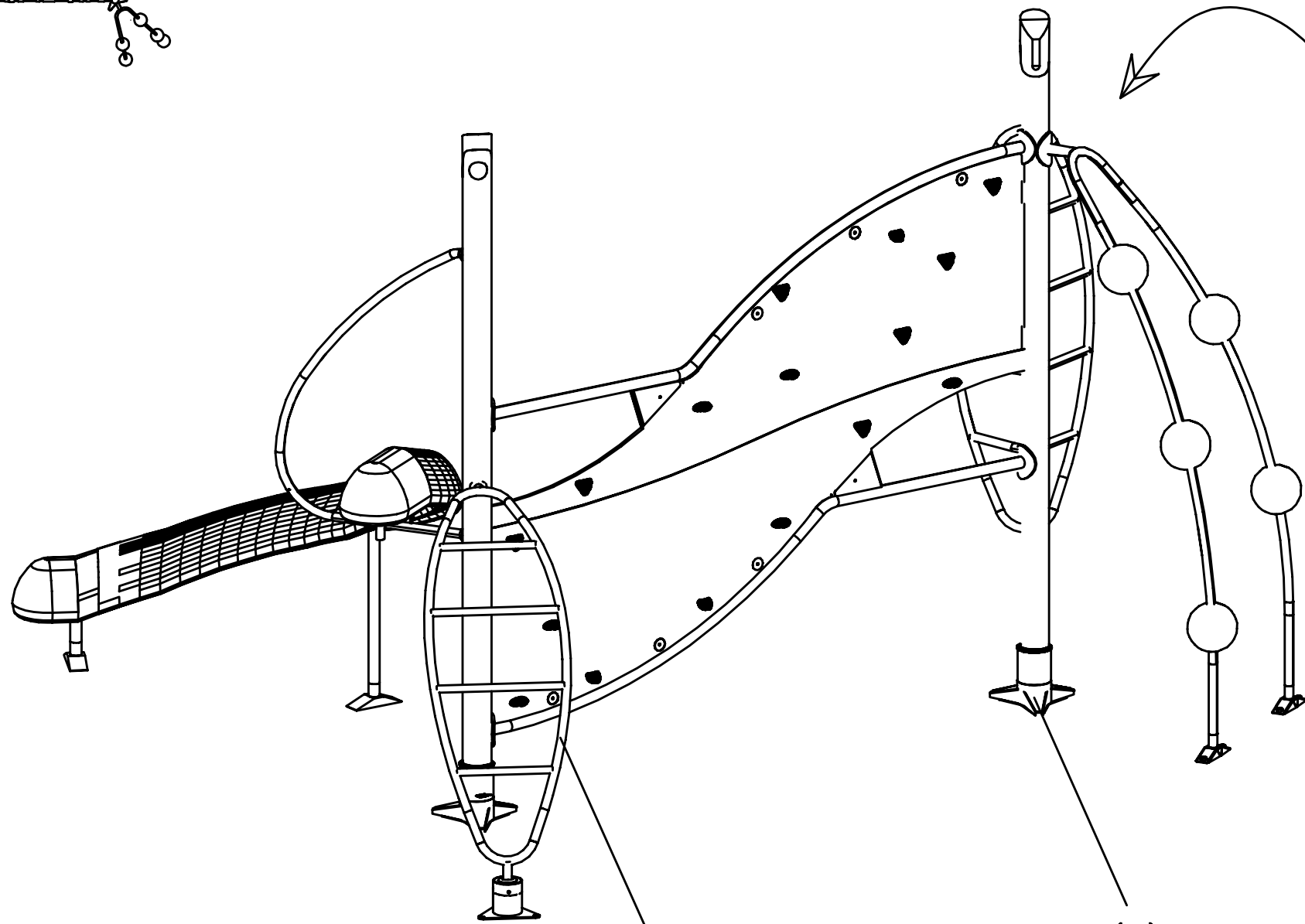
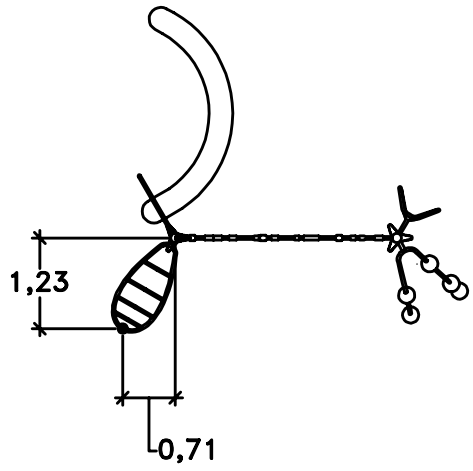


# STEP 2



<b>HAGS</b>		ANEBY, SWEDEN	
		+46(0)380-47300	
		www.hags.com	
Joz			
1 444040M			
III(IV)			
	UD		MN

# STEP 3

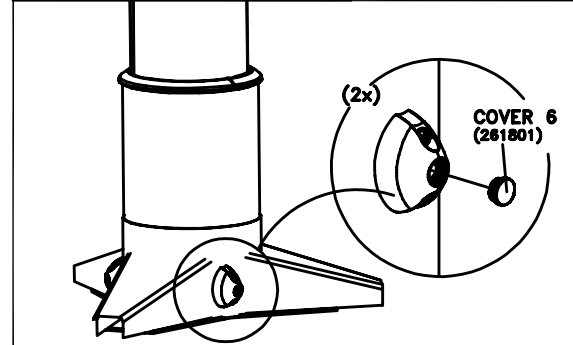


142676

1426610M

(2x)

142000100M



# STEP 4

Icons for Step 4: eye, hand, and calendar.

1 Månad  
1 Month  
1 Monat  
1 Mois

**HAGS** ANEBY, SWEDEN  
+46(0)380-47300  
www.hags.com

Joz  
1 444040M  
IV(IV)

UD MN