

POS-NR	ART-NR	ANTAL/QUANTITY	POS-NR	ART-NR	ANTAL/QUANTITY
142000100M	14100011	6	142676	14167610	2
	14160059	1		14172110	1
	14160067	1	1427210M	14172121	1
	14160083	1		14172112	1
	14160084	1		145125	2
	14160089	1			
1427450M	14174510	3	STEP 4	141000011	1
	14174511	3	1420000100M	14164510	1
	14174512	3	1426450M	14164511	1
	14174513	3			
	14174514	1	1427010M	14170110	3
	14174110	1		14170111	1
				14170122	1
				14170123	2
1426460M	14164610	2		14167610	1
	14164611	2	142676		
1426920M	14168210	1	STEP 5	14100026	1
	14169210	1	1426610M	14166110	1
	14169221	1			
	14169222	1	1426440M	14110026	2
1426540M	14165410	1		14164410	1
	14167312	2			
1426420M	14164210	1	OMS93141	262523	2
	14174210	1		592441	2
				592443-01	2
142000100M	14160072	1		14460990M	1
1426430M	14164310	1			
1426450M	14164510	2			
	14164511	2			
1426730M	14167310	1			
	14167311	2			
	14167312	2			
STEP 3	14160067	1			
142000100M	14160067	1			
1426430M	14164310	1			
142731	14173110	1			
142666	14166610	3			



84,0h



Varje vecka
Every week
Jede woche
Chaque semaine



Varje säsong
Every season
Jedes Jahr
Chaque saison

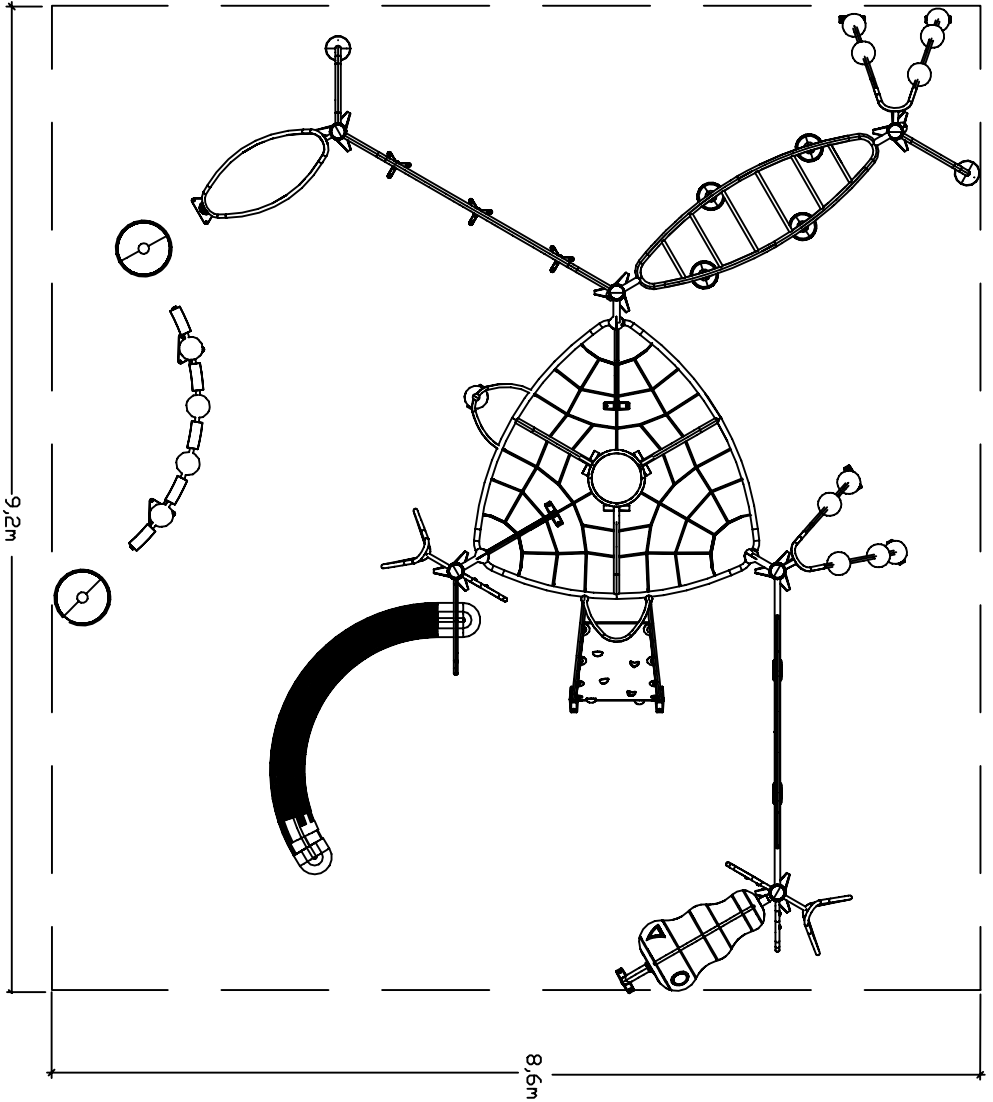
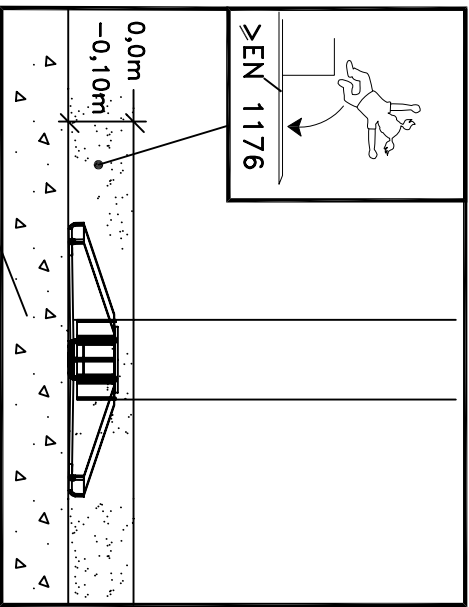
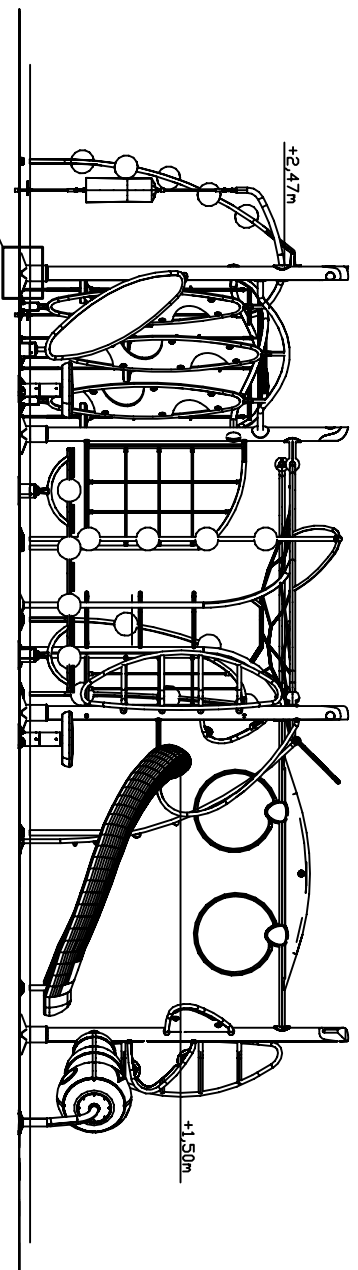


5-12

HAGGS ANEBY, SWEDEN
+46(0)380-47300
www.haggs.com

TANO
1446090M
I(VII)

MW AL 2007-07-12 | 0

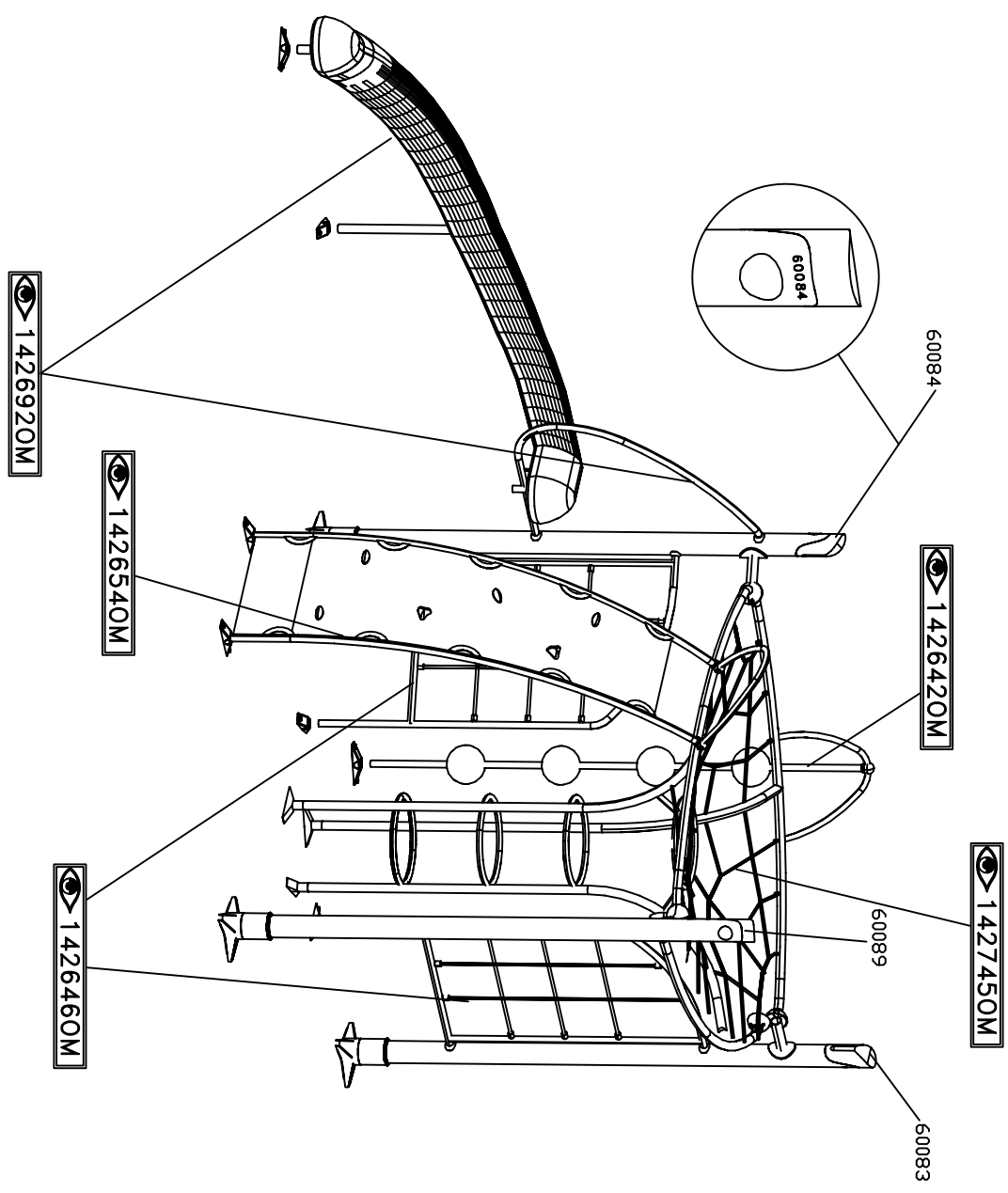
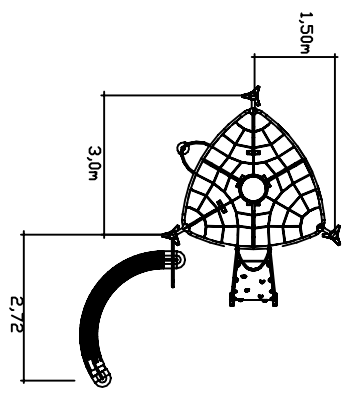


HAGGS ANEBY, SWEDEN
 +46(0)380-47300
 www.haggs.com

TANO
 1446090M
 II(VII)

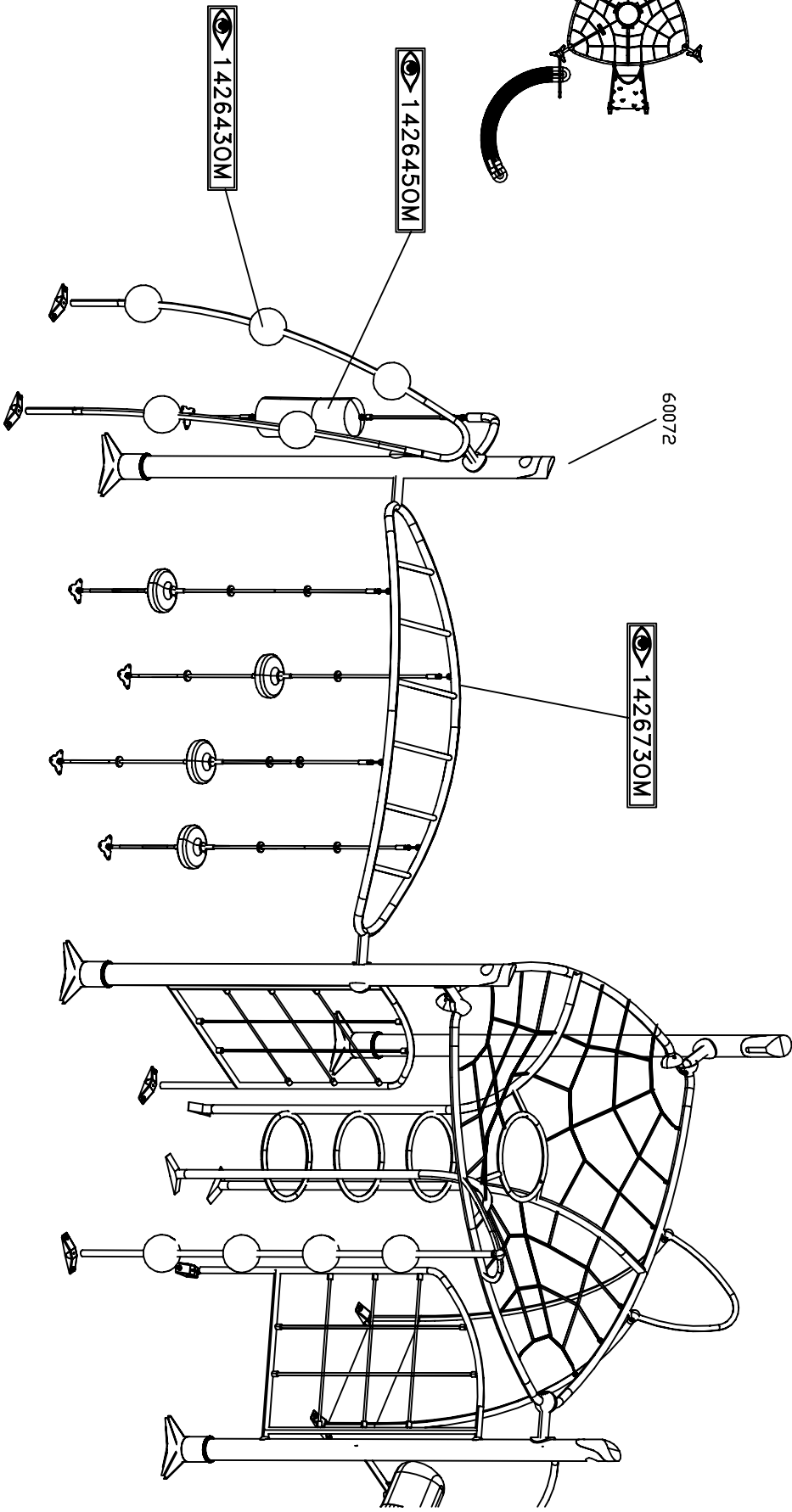
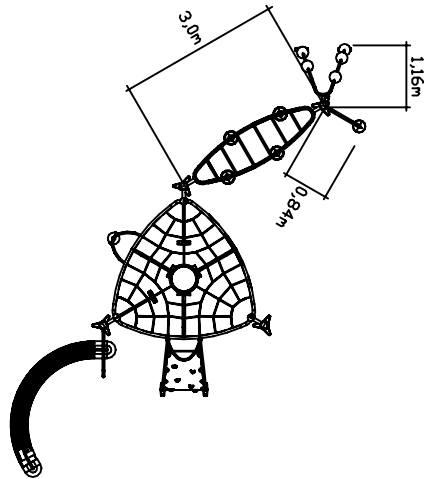
MW AL 2007-07-12 | 0

STEP 1



HAGGS		ANEBY, SWEDEN	
TANO		+46(0)380-47300	
1446090M		www.higgs.com	
III(VII)			
MW	AL	2007-07-12 0	

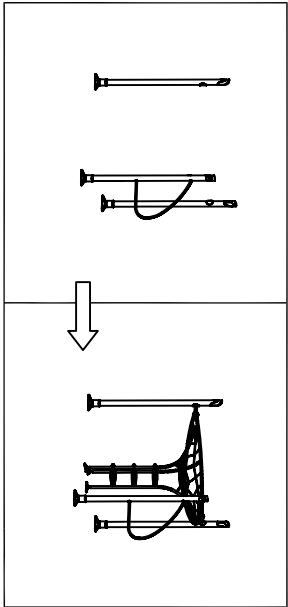
STEP 2



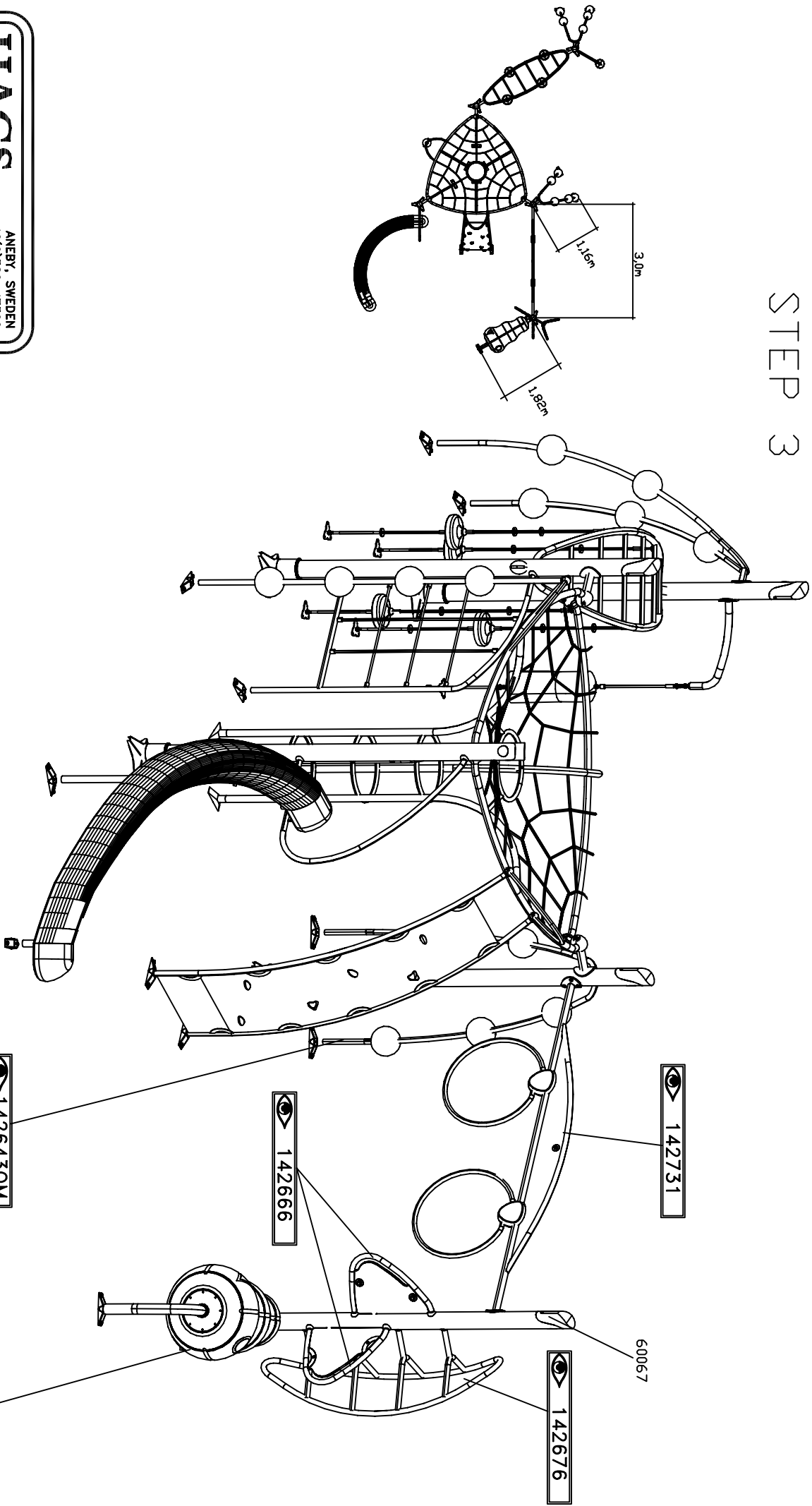
HAGGS ANEBY, SWEDEN
+46(0)380-47300
www.haggs.com

TANO
1446090M
IV(VII)

MW AL 2007-07-12 | 0

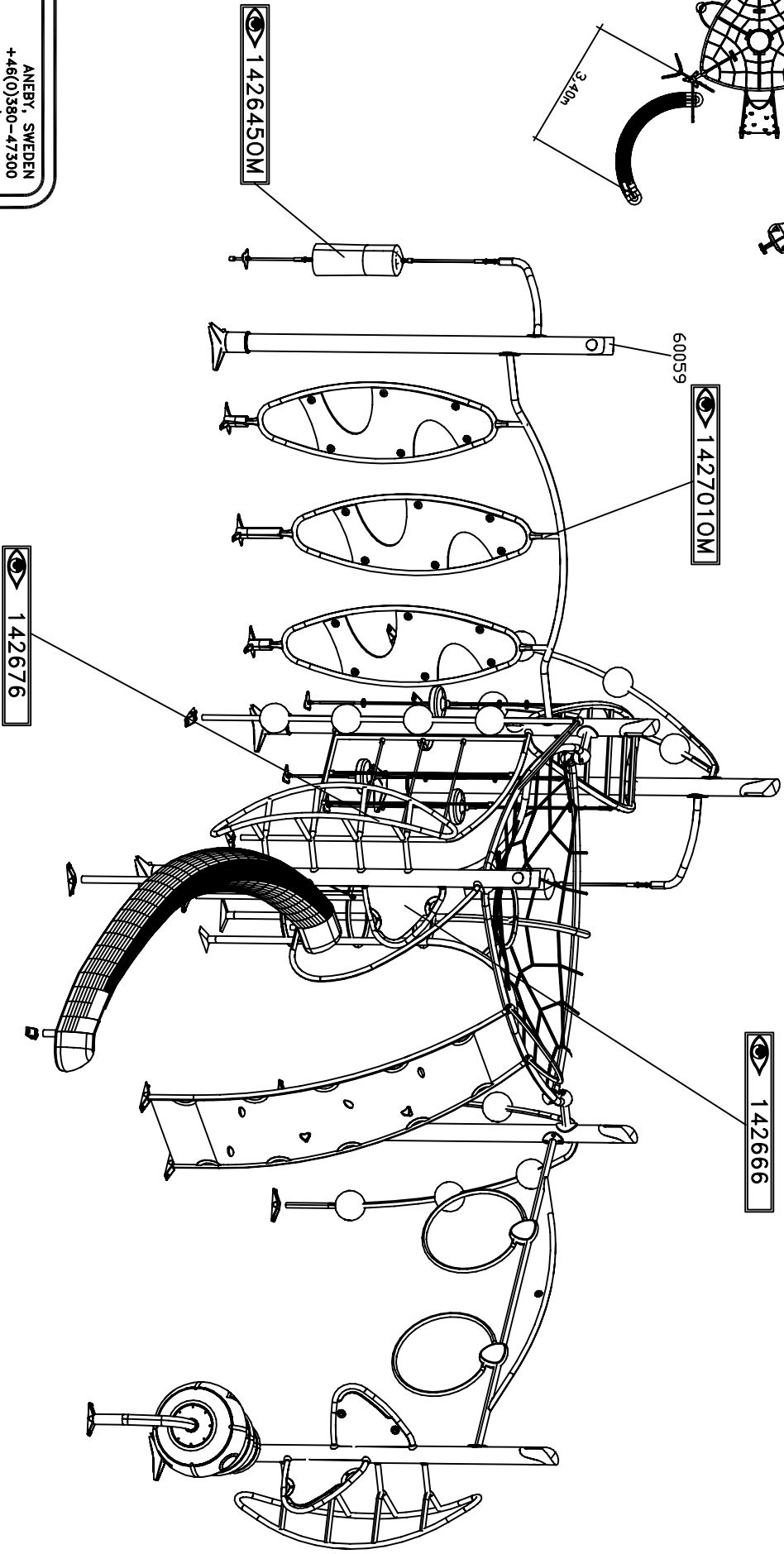
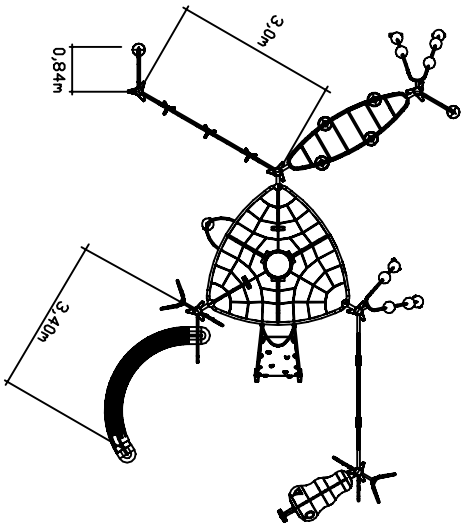


STEP 3



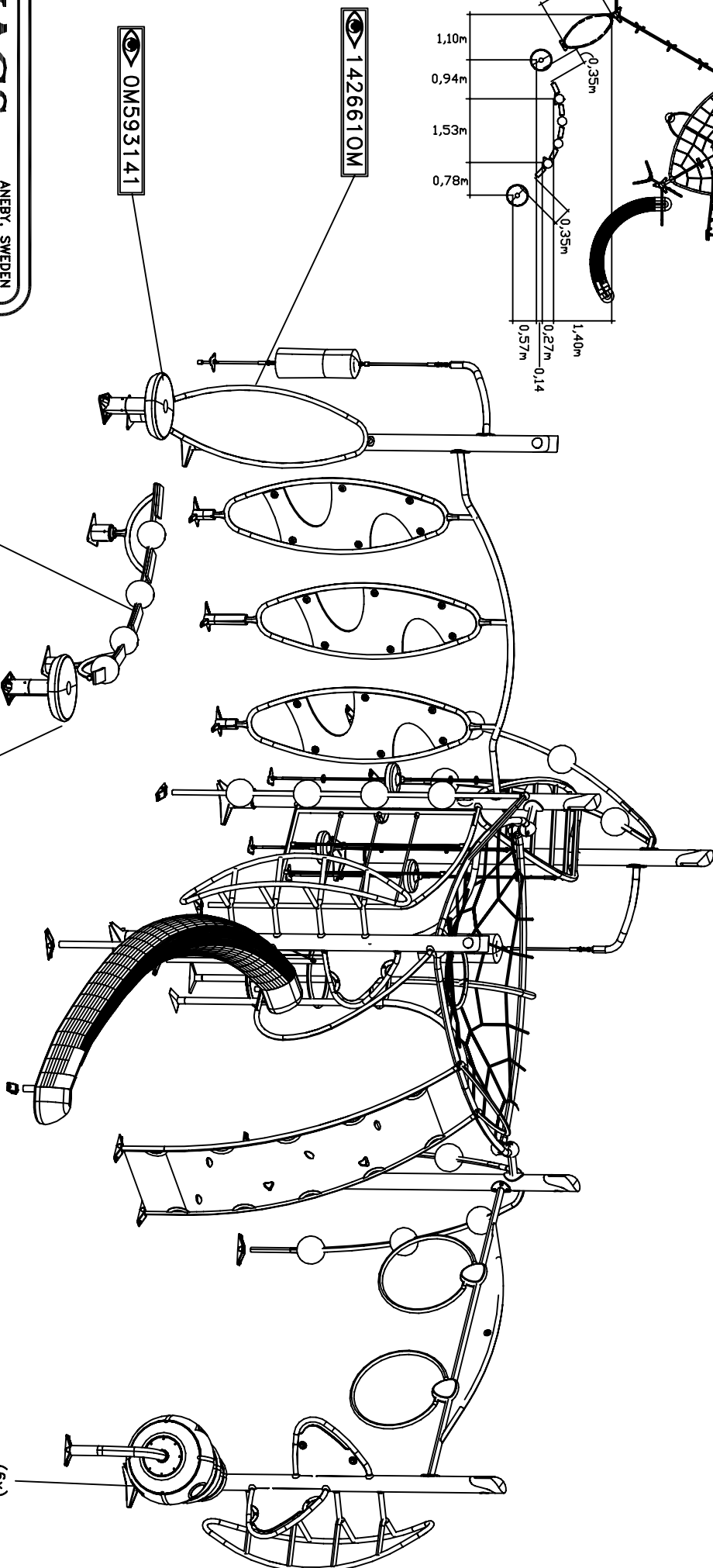
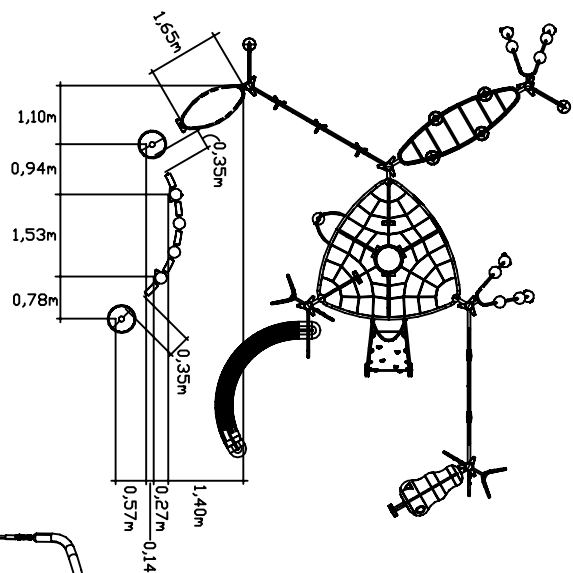
HAGGS		ANEBY, SWEDEN	
TANO		+46(0)380-47300	
1446090M		www.hags.com	
V(VII)			
MW	AL	2007-07-12 0	

STEP 4



HAGGS		ANEBY, SWEDEN	
TANO		+46(0)380-47300	
1446090M		www.higgs.com	
VI(VII)			
MW	AL	2007-07-12 0	

STEP 5



HAGGS
 ANEBY, SWEDEN
 +46(0)380-47300
 www.haggs.com

TANO
 1446090M
 VII(VII)

MW AL 2007-07-12 | 0

