

POS-NR  
POS-NO  
ART-NR  
ART-NO  
ANTAL/QUANTITY  
MENGE/QUANTITE

STEP 1			
14200010BM	14100013	2	
	14100025	2	
	14160053	1	
	14160054	1	
1426578M			
	14110031	1	
	14100005	1	
	14165710	1	
	14165711	1	
1426618M			
	14100005	2	
	14110016	1	
	14166210	1	
142671			
	14167110	1	
STEP 2			
142676	14167610	1	
1426928M			
	14100005	2	
	14168210	1	
	14169210	1	
	14169231	1	
	14169232	1	
	1444029BM	1	



18h



Varje vecka  
Every week  
Jede woche  
Chaque semaine



Varje säsong  
Every season  
Jedes Jahr  
Chaque saison

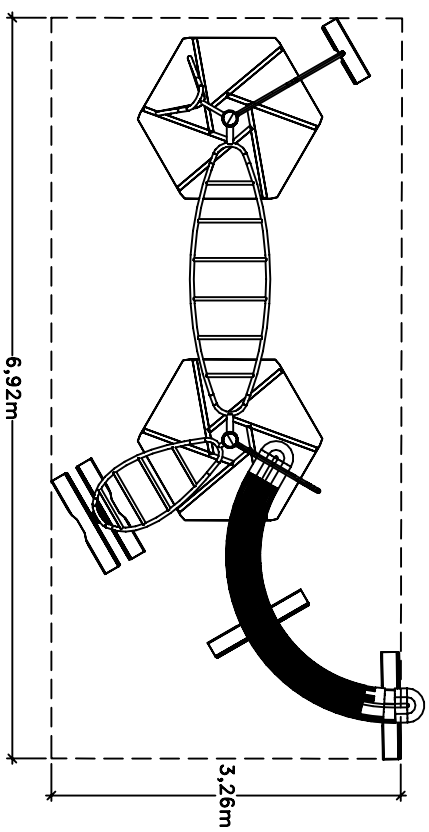
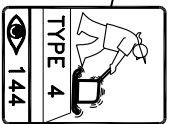
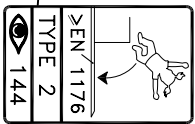
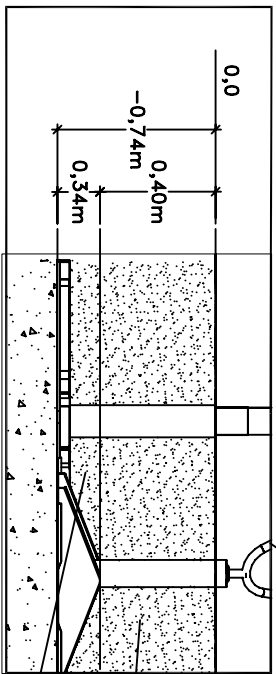
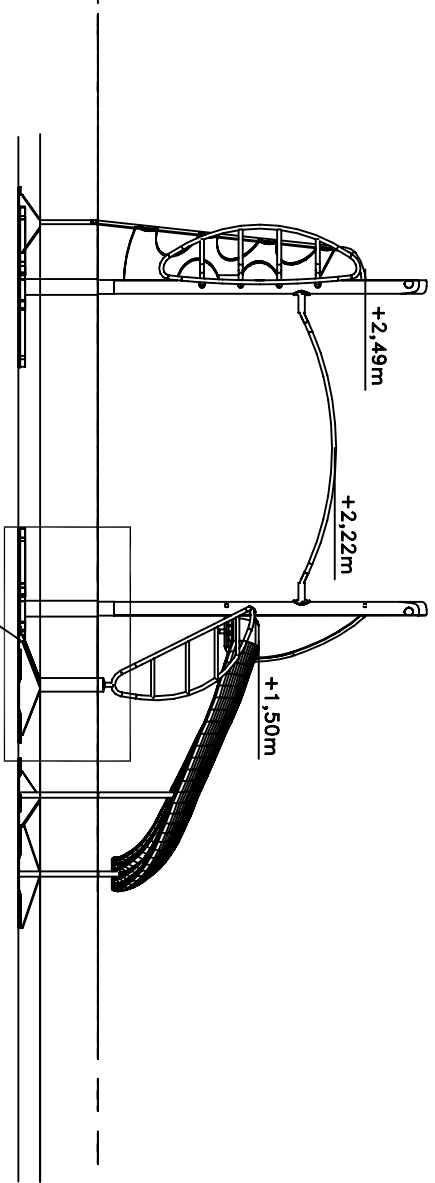


5-12

**HAGGS** ANEBY, SWEDEN  
+46(0)380-47300  
www.haggs.com

Brox  
144402BM  
I(III)

AK MW 2007-07-17 0

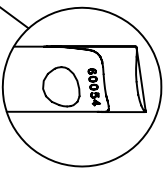
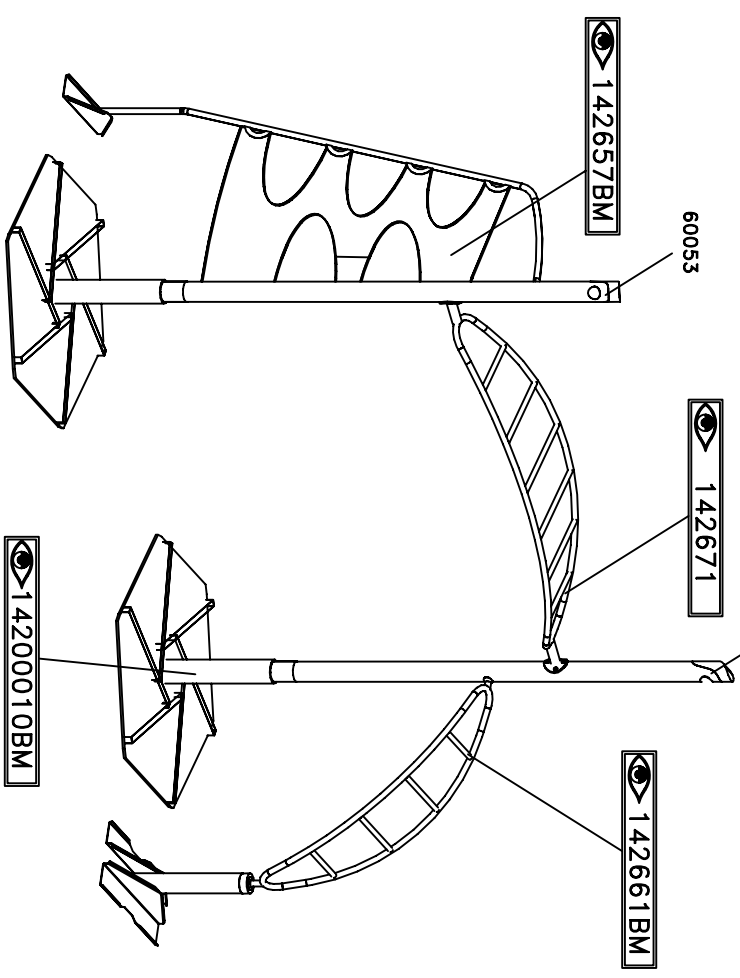
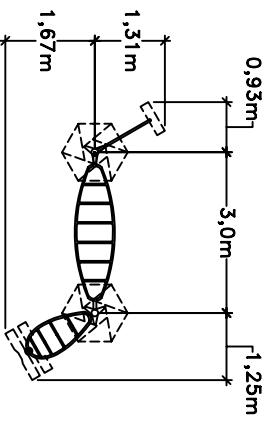


**HAGGS**  
ANEBY, SWEDEN  
+46(0)380-47300  
www.haggs.com

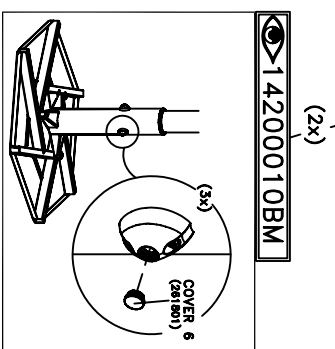
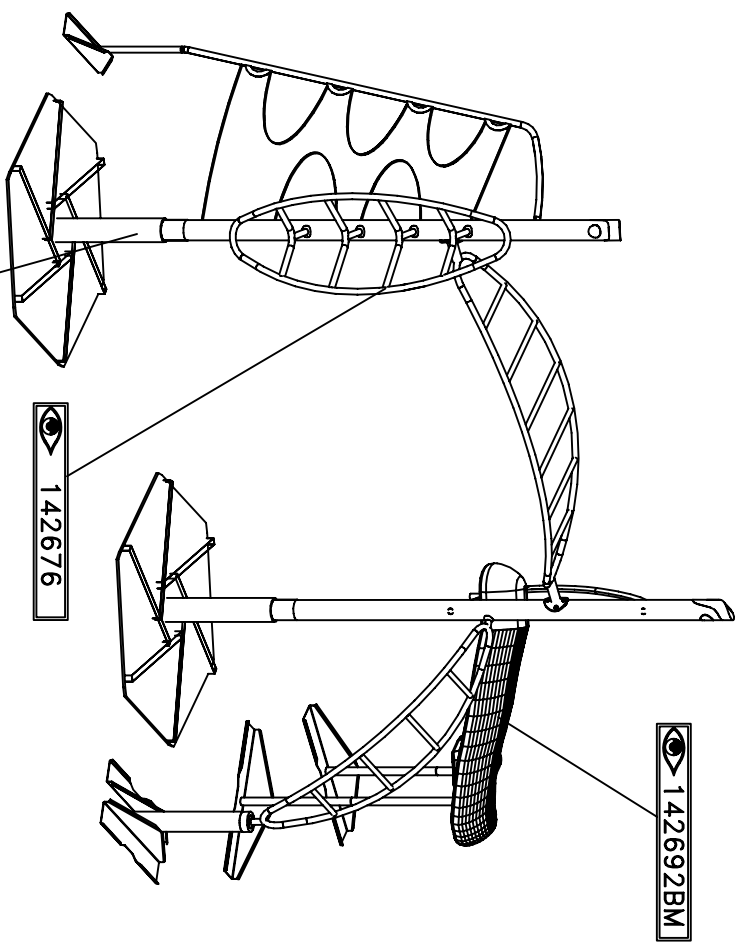
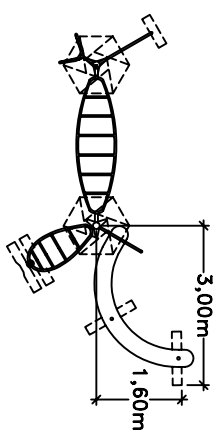
Brox  
144402BM  
II(III)

AK

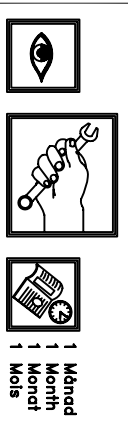
# STEP 1



# STEP 2



# STEP 3



**HAGGS**  
ANEBY, SWEDEN  
+46(0)380-47300  
www.higgs.com

Brox  
1 444 02 BM  
III(III)

AK