

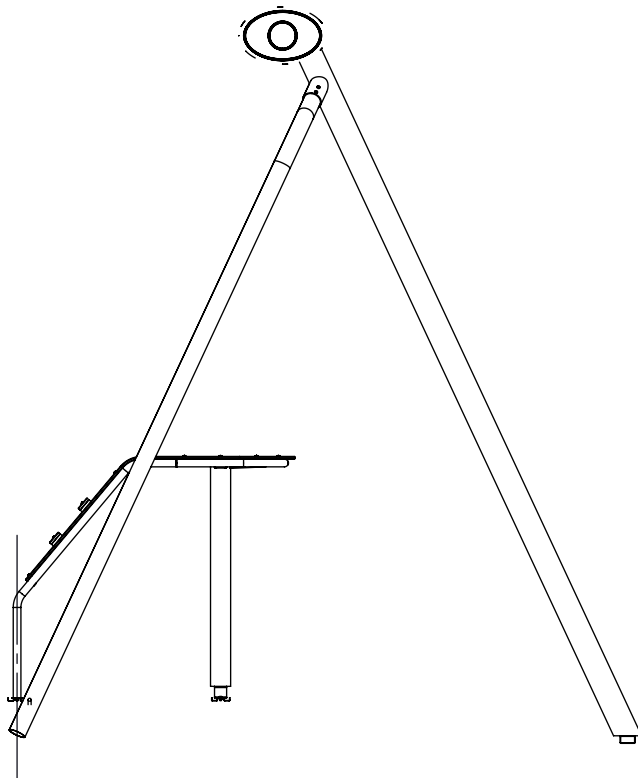


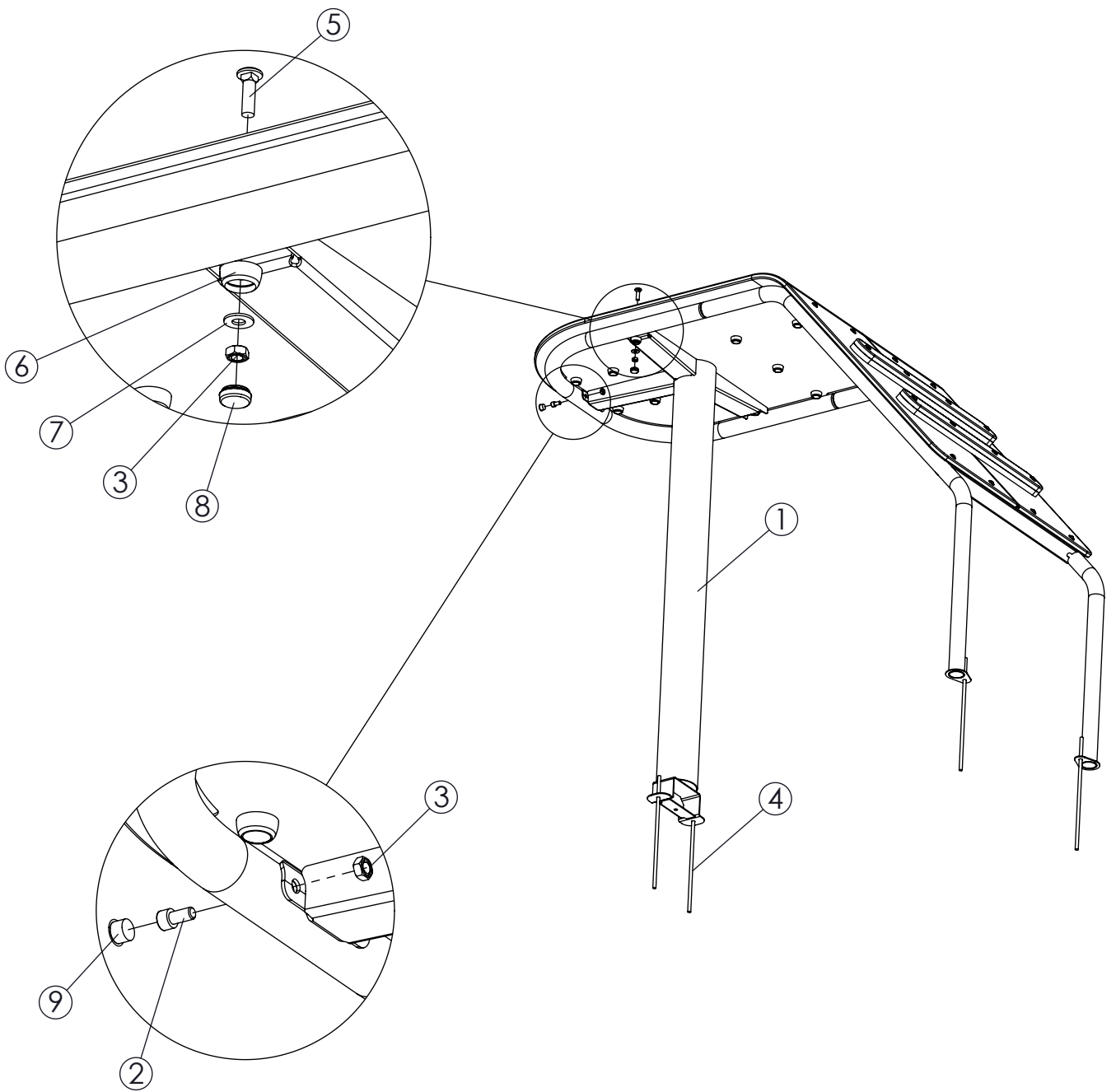


$\text{Ø}0,5\text{m} \times 0,5\text{m}$
 $V = 0,1 \text{ m}^3$

 4x24h	
	
>C20/25 S1-S3	
	101



HAGS		ANEBY, SWEDEN +46(0)380-47300 www.hags.com	
Ramp CC			
MASW26966			
1 (2)			
	DN		JT
2013-02-22		2	



NR.	Description MA	Item Number	Default/Qty
1	Support leg L=1577mm	8034974	1
2	MC6S M10x20 mm	302649	2
3	M6M-8 FZB M10	324103	4
4	Ø10 x 400 mm	8019919	4
5	MVBF M10x35 mm	304652	2
6	CAP 10, Ø17x14,5 mm	8005961 (261812)	2
7	11x24x2 mm	326018	2
8	Cover 10, Ø25x12mm	8005963 (261814)	2
9	Cover Ø18mm	8035674	2

<h1>HAGS</h1> <p>Ramp CC MASW26966 2 (2)</p>	ANEBY, SWEDEN +46(0)380- 47300 www.hags.com
	Home DN Search JT 2013-02-22 2