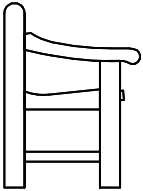
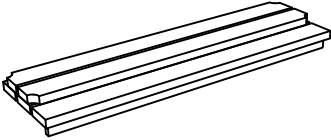
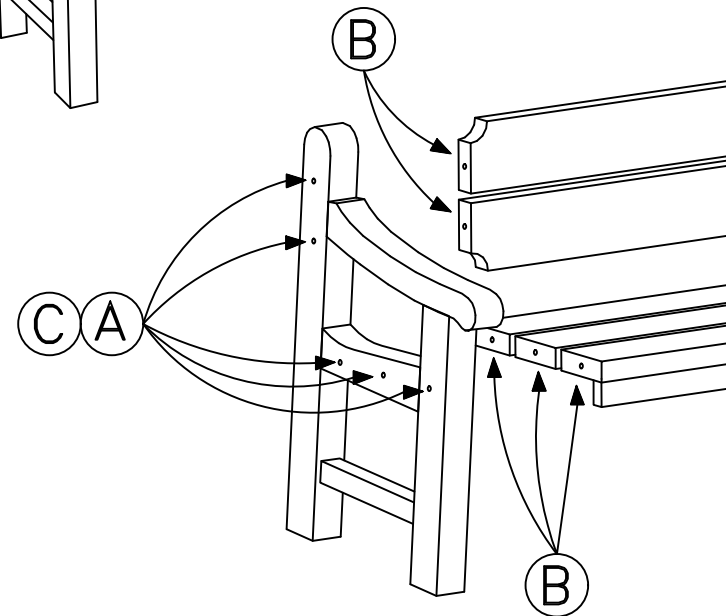
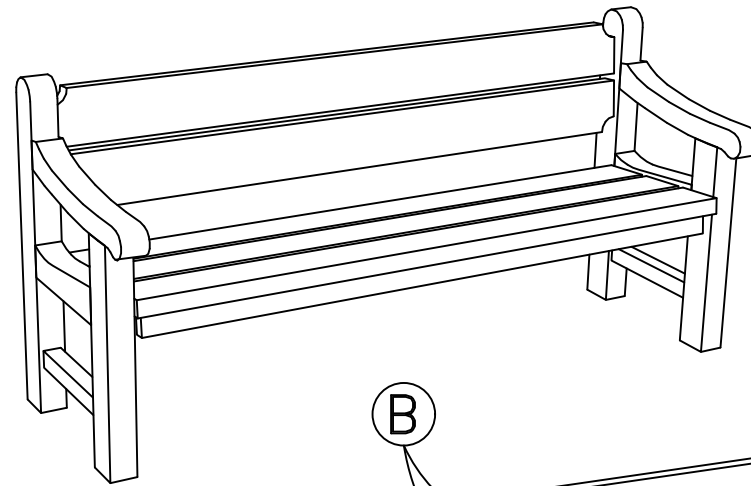
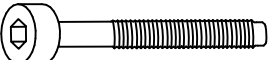





	177448	177478
	177421	177426
	177423	177428



<b>A</b>	 MC6S 8x65 (302620)
<b>B</b>	 SP8 8x65 (324703)
<b>C</b>	 PLUG18 (260383)

**HAGS** ANEBY, SWEDEN  
+46(0)380-47300  
www.hags.com

177448

MC  Anki 2004-11-23 | 2

