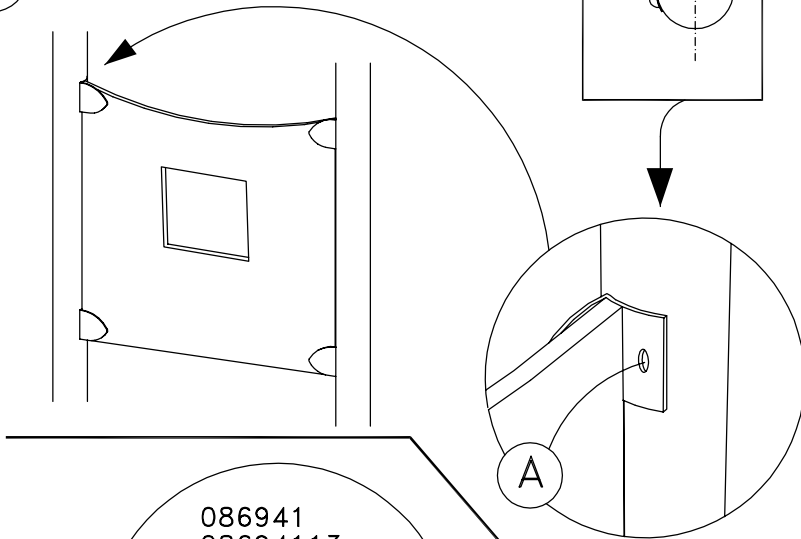
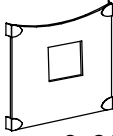
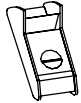
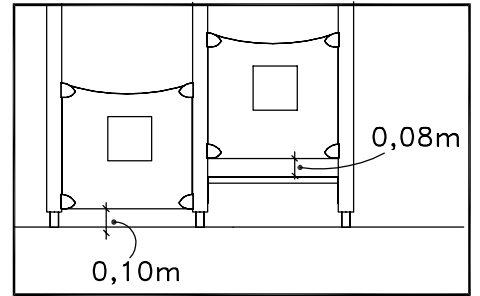


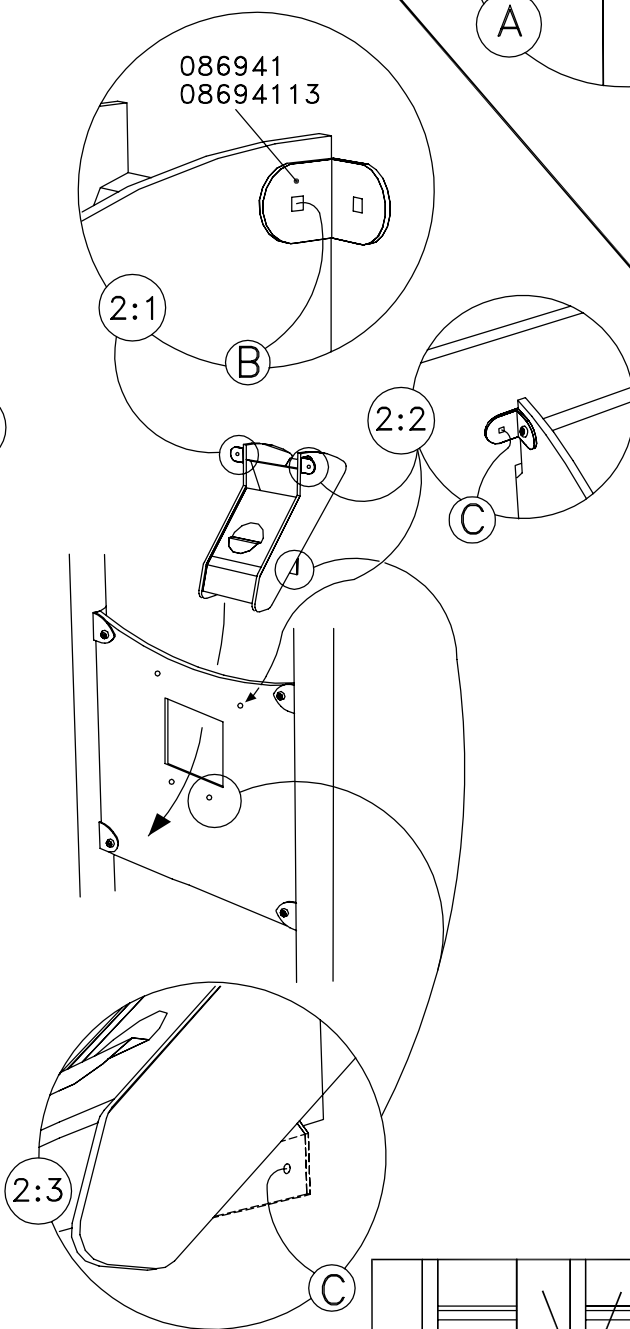
1

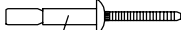

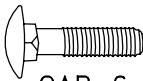
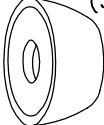
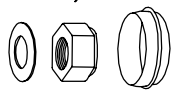
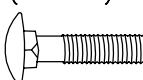

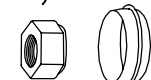


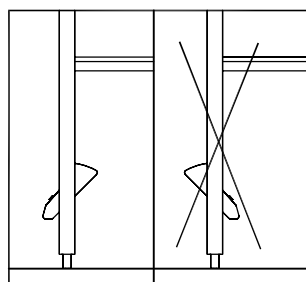
TYPE	HAGS.NO
 0,60x0,57m	618821
	418821



2





<b>A</b>	 MGLP-R8-E (327040)	 Ø 6,8
<b>B</b>	MVBF 6x20 (304551)	SRB 7x14 (326016)
<b>C</b>	 CAP 6 (261800)	 NL 6 (324101)
		 COVER 6 (261801)
	MVBF 6x25 (304552)	SRB 7x14 (326016)
	 CAP 6 (261800)	 NL 6 (324101)
		 COVER 6 (261801)



**HAGS** ANEBY, SWEDEN  
+46(0)380-47300  
www.hags.com

ST 6821 06

 MN  JOT 2007-02-14 0