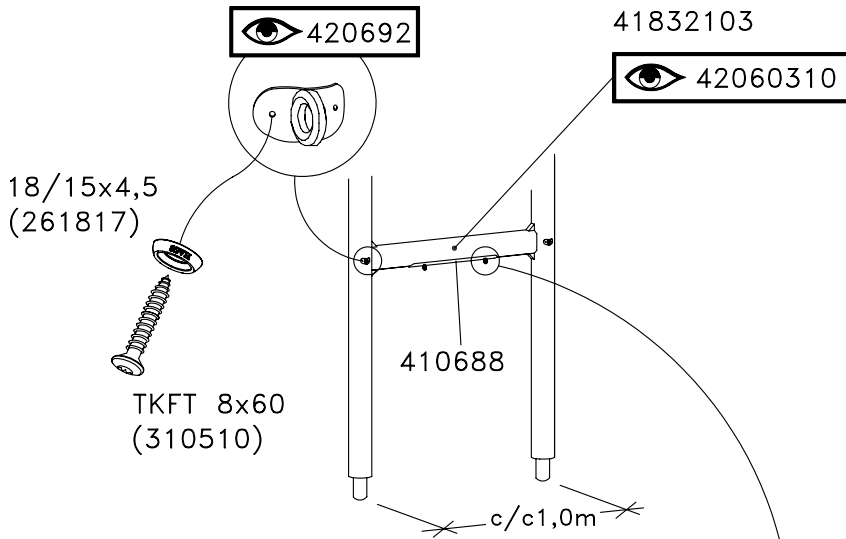
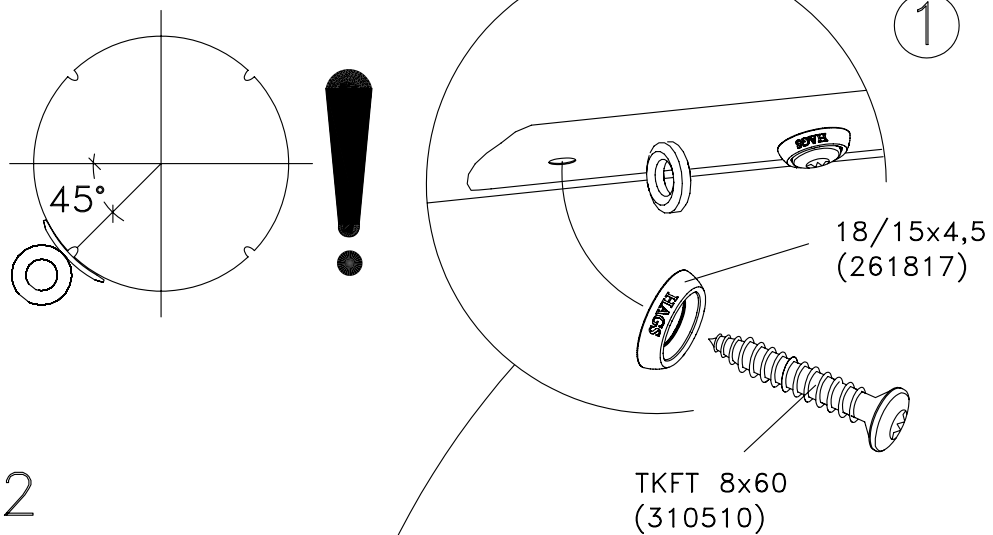


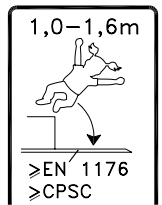
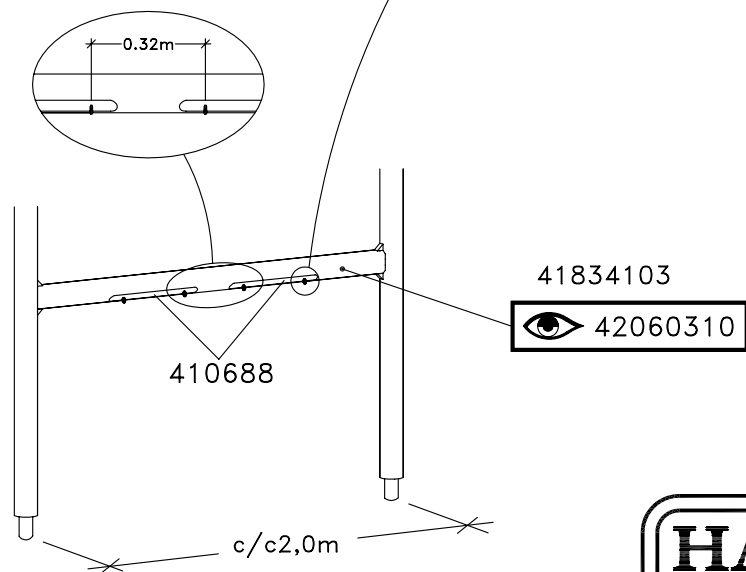
ALT.1



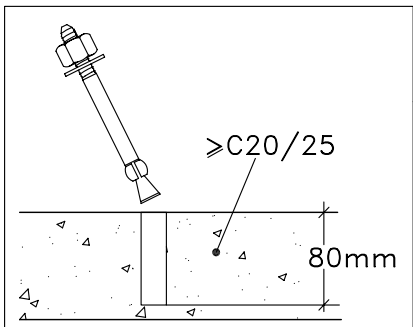
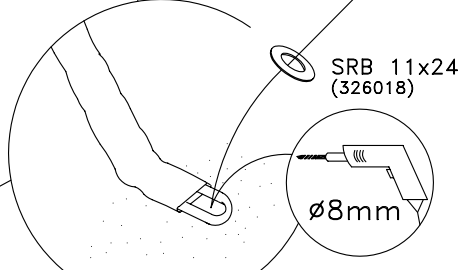
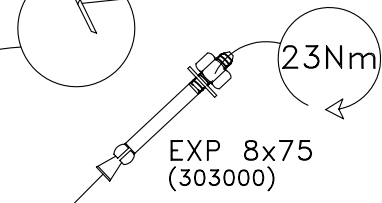
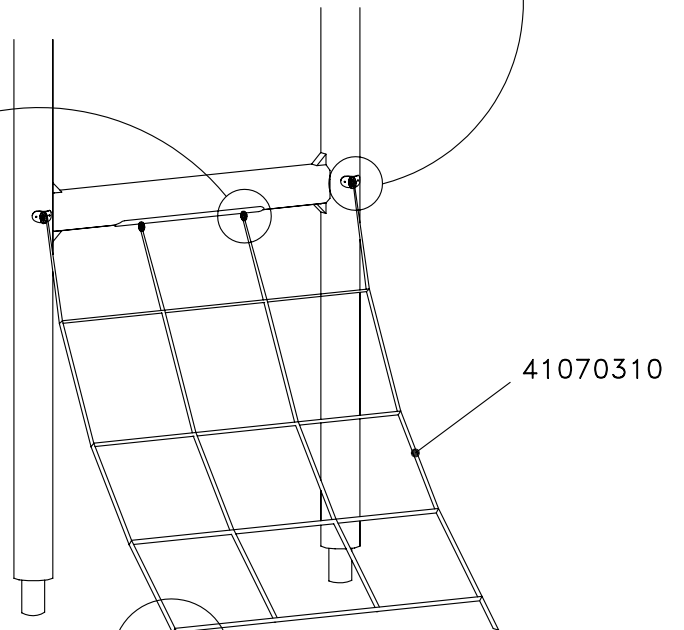
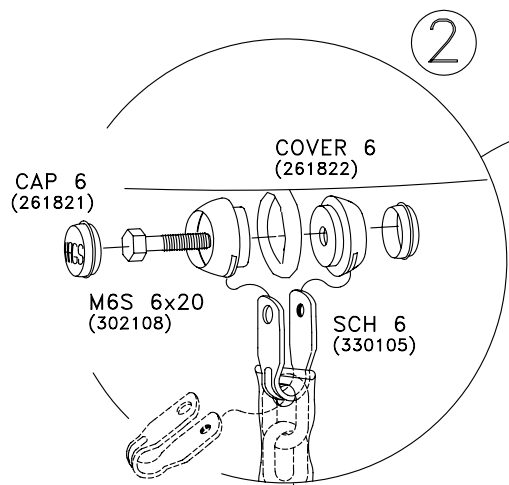
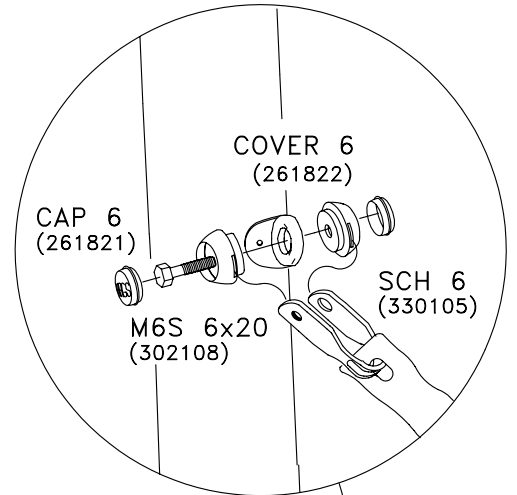
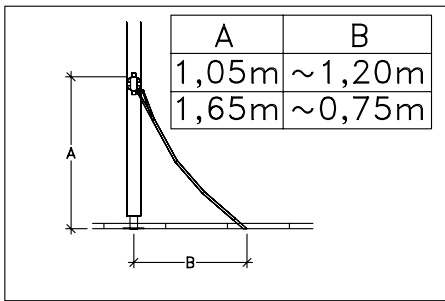
TYPE	HAGS NO.
	41070310
0,89m	41832103
1,89m	41834103
	410688



ALT.2



HAGS		ANEBY, SWEDEN +46(0)380-47300 www.hags.com	
Scramble Net			
422 703 10			
1(2)			
	TJ		MN 2008-01-02 0



2x24h !

>C20/25
S1-S3

101

HAGS ANEBY, SWEDEN
+46(0)380-47300
www.hags.com

Scramble Net
422 703 10
2(2)

TJ MN 2008-01-02 0