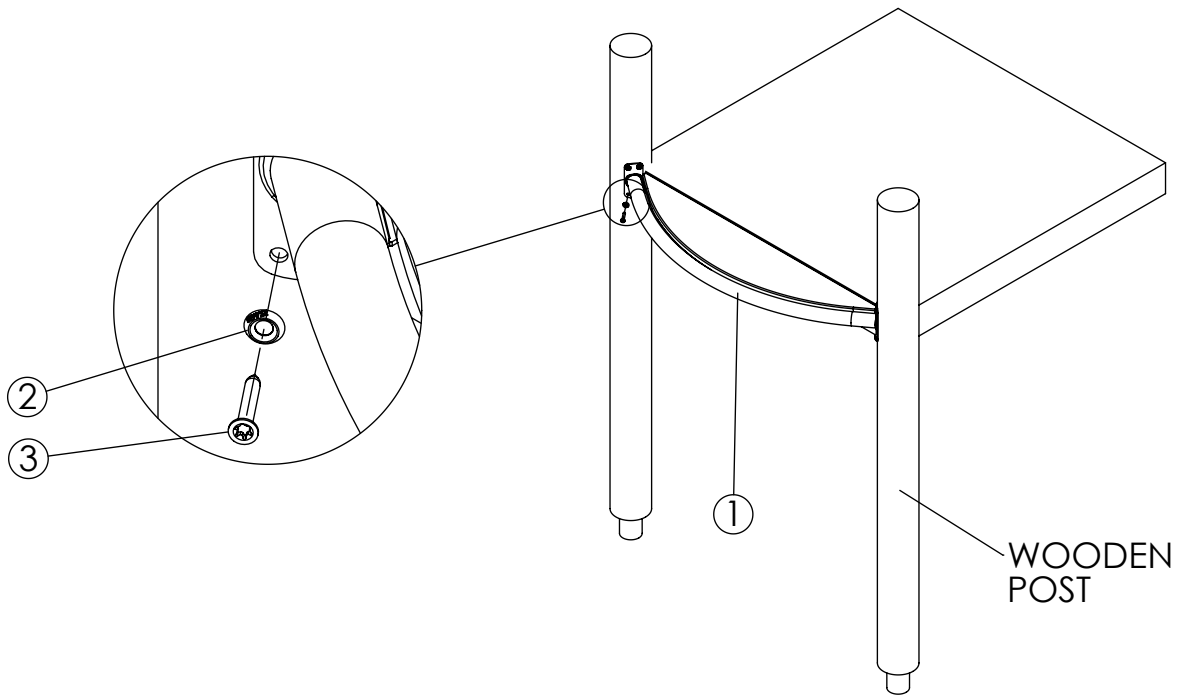
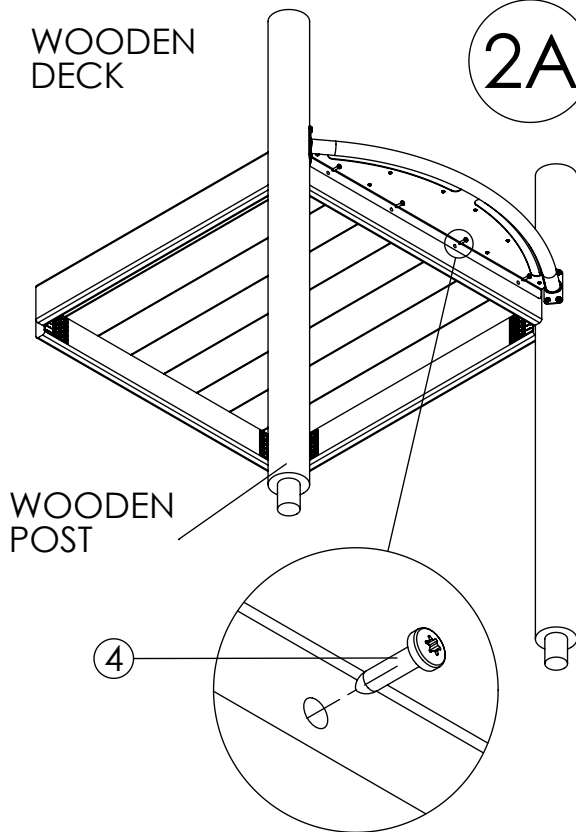


1



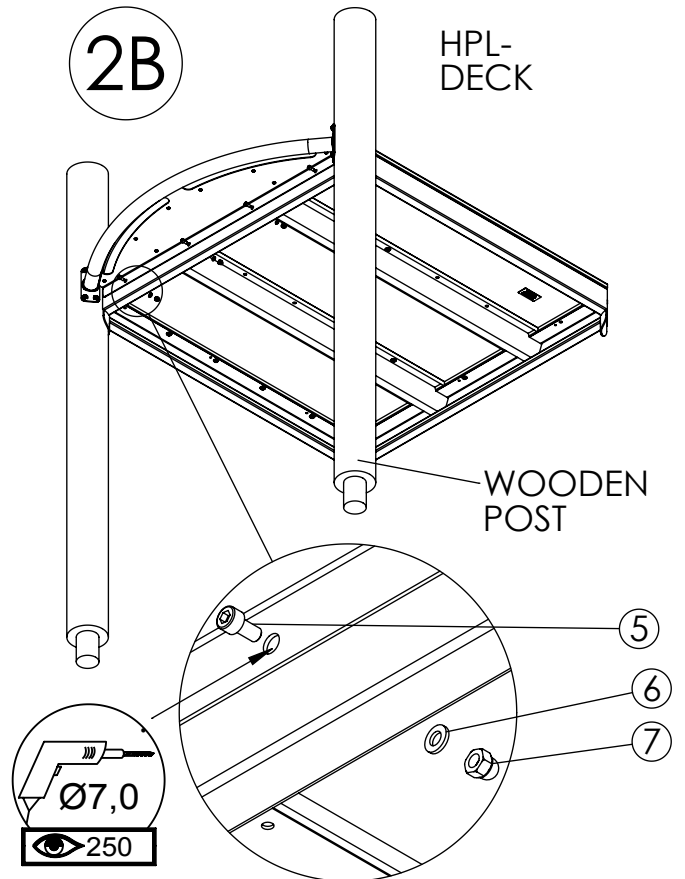
WOODEN DECK

2A



2B

HPL-DECK



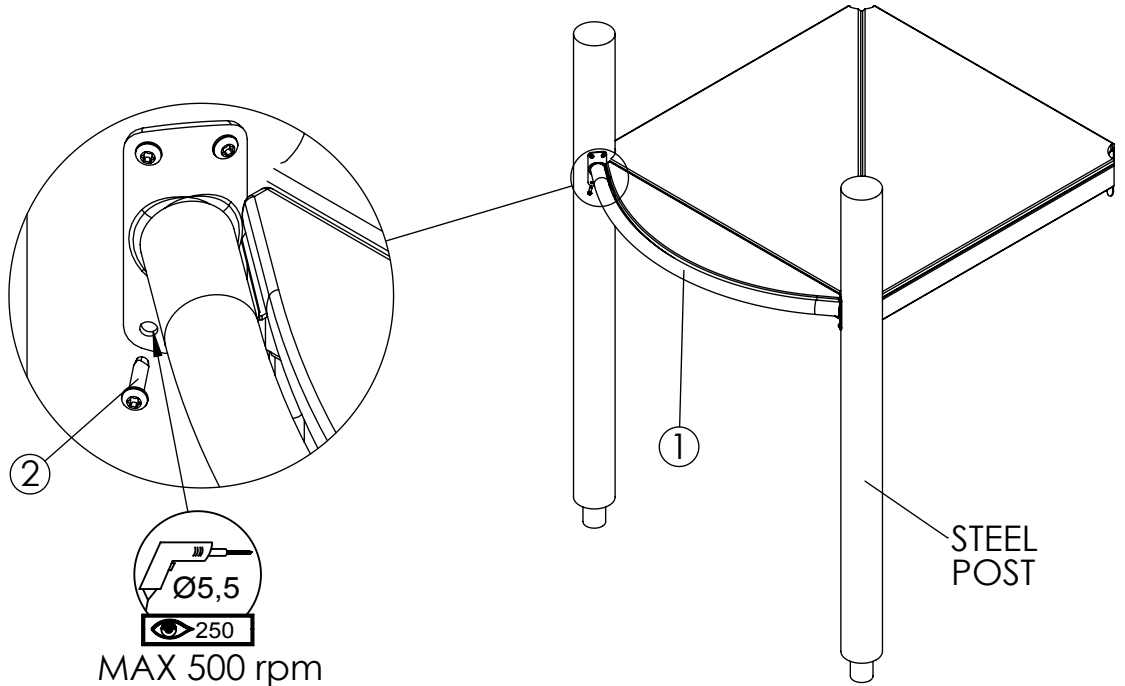
NR.	Description MA	Item Number	Qty
1	Floor add on	8046791	2
2	Ø6 16/7 x 3 mm	8035290	8
3	TKFT 6x40 mm	8008651	8
4	TKT 6x25 mm	8008696	4
5	MC6S 8.8 M6x12 FZY	8008468	8
6	Ø6,4x12x1,6	8008845	8
7	Dome Nut M6	8008752	8

**HAGS** ANEBY, SWEDEN  
+46(0)380-47300  
www.hags.com

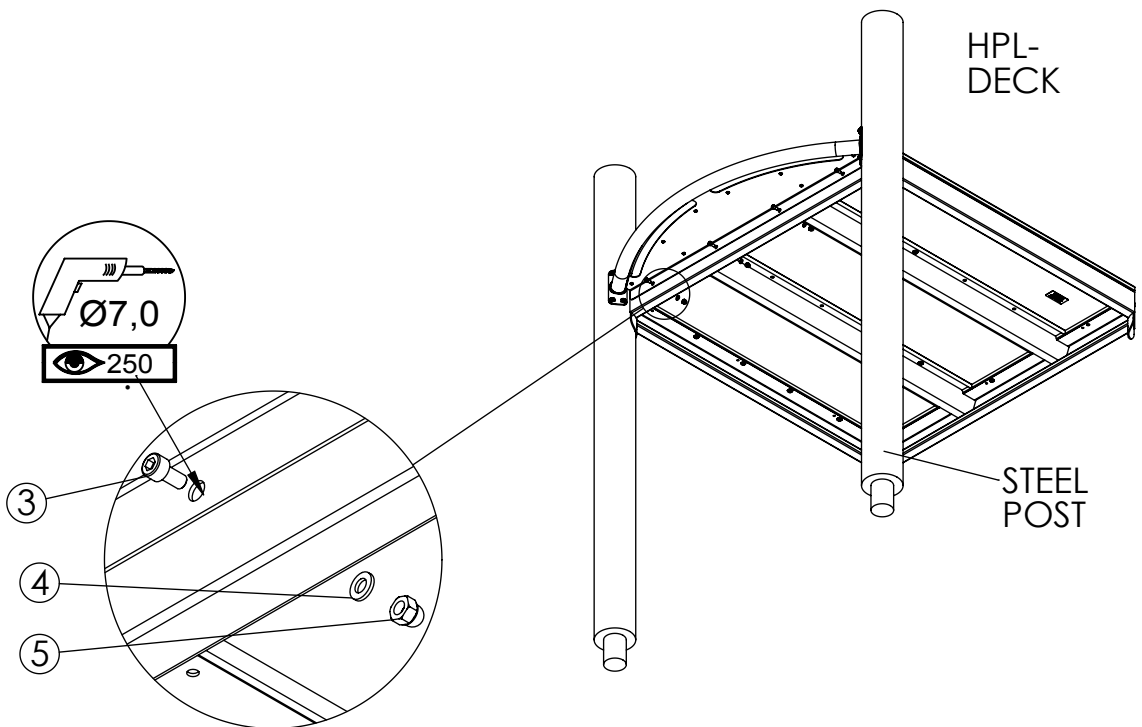
**Floor add on**  
**MASW34925**  
**1 ( 2 )**

SS ToB 2017-03-23 4

1



2



NR.	Description MA	Item Number	Qty
1	Floor add on	410120-02	1
2	Screw, thr-forming M6x25-8.8-(ISO7380)	8027762	8
3	MC6S 8.8 M6x12 FZY	8008468	4
4	Ø6,4x12x1,6	8008845	4
5	Dome Nut M6	8008752	4

**HAGS** ANEBY, SWEDEN  
+46(0)380-47300  
www.hags.com

**Floor add on**  
**MASW34925**  
**2 ( 2 )**

SS ToB 2017-03-23 4