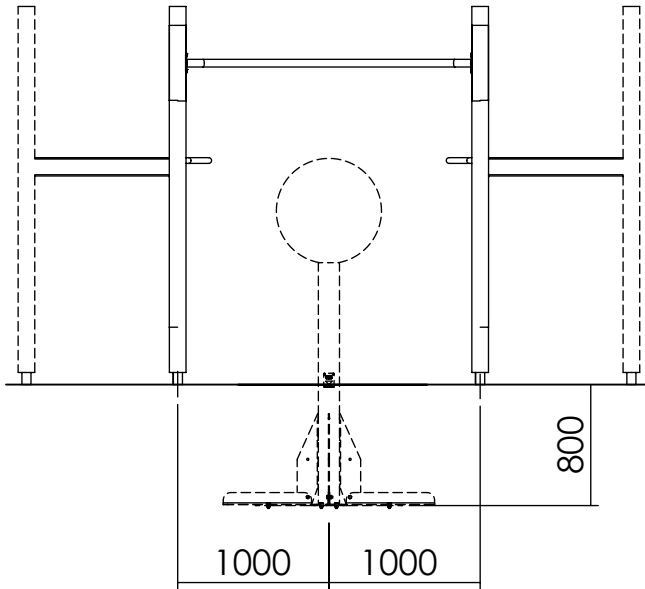
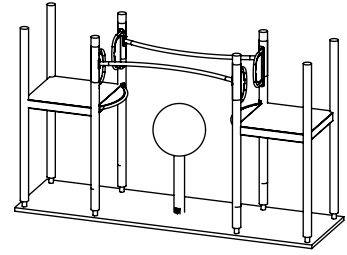
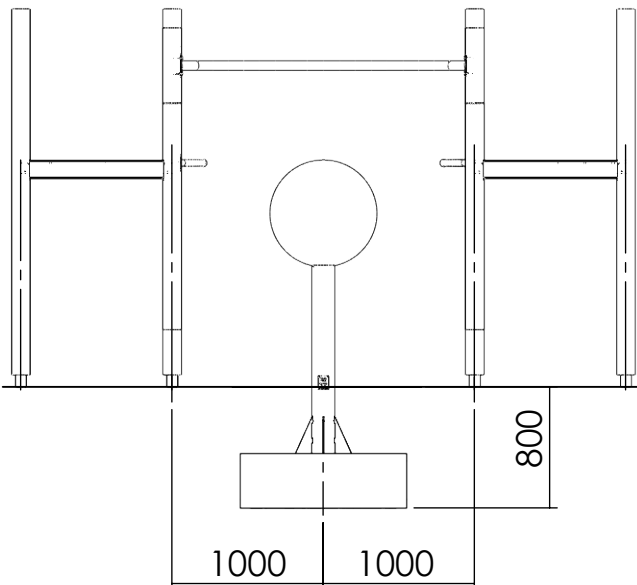
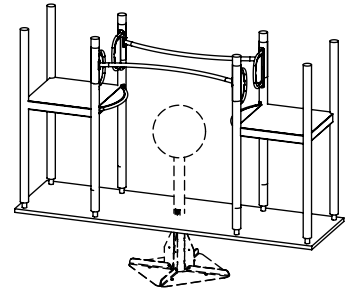


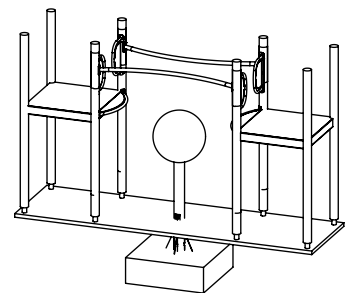
OM



S CC

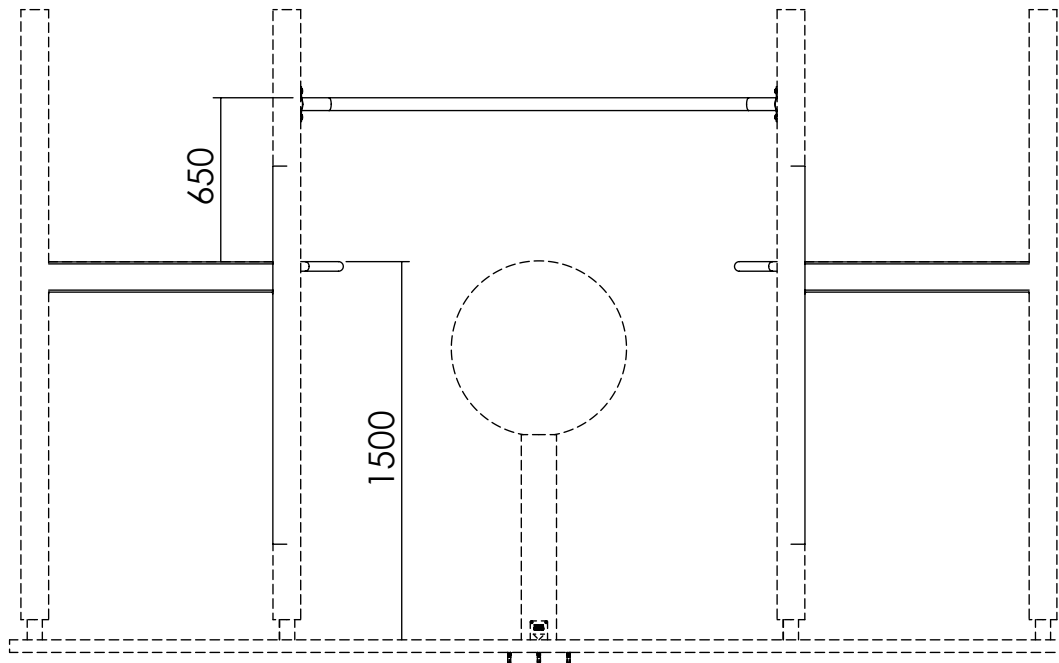
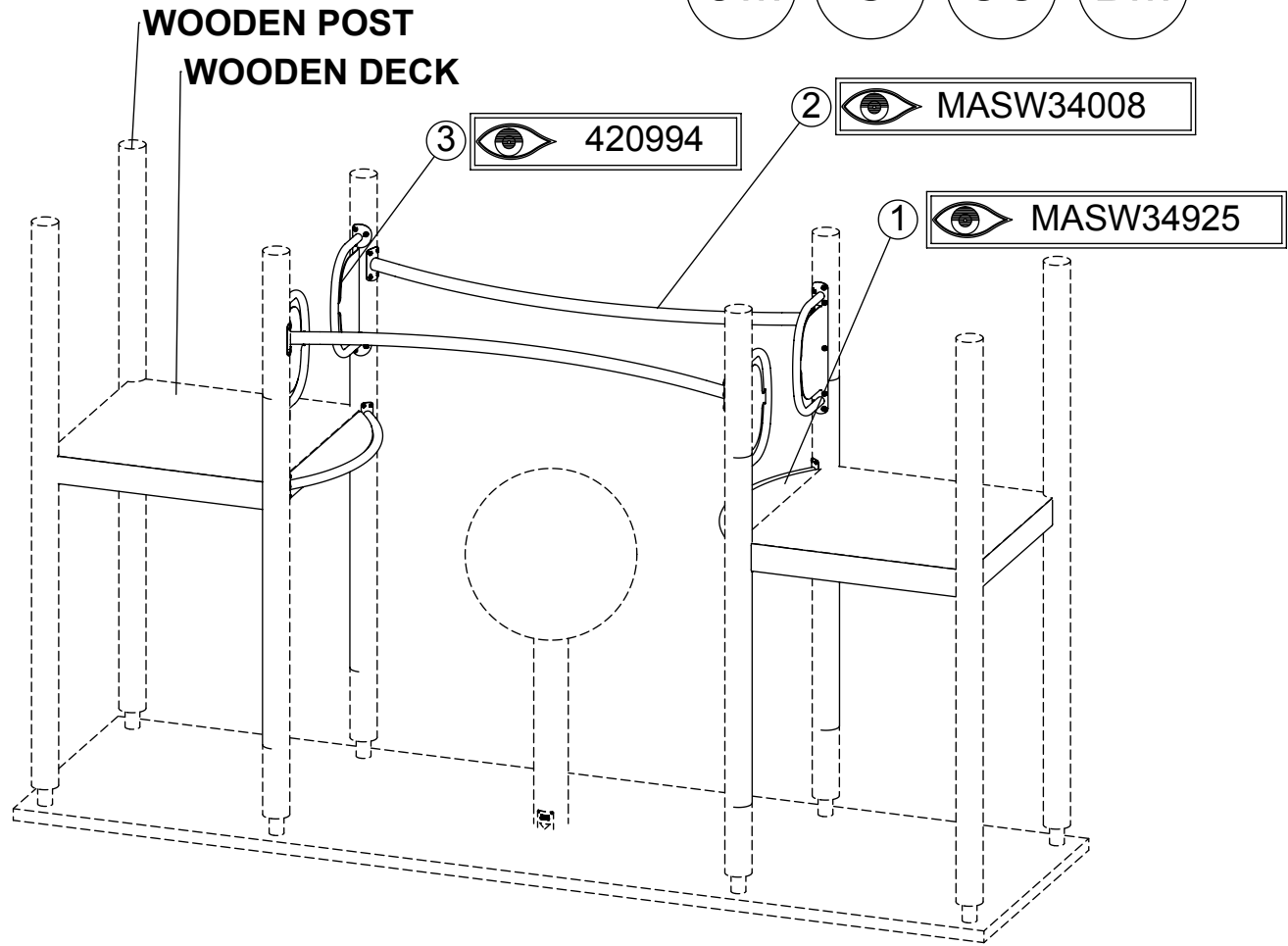


BM



HAGS		ANEBY, SWEDEN +46(0)380-47300 www.hags.com	
Ball			
MASW37993			
1 (8)			
	SS		ToB
2017-03-23		5	

OM S CC BM



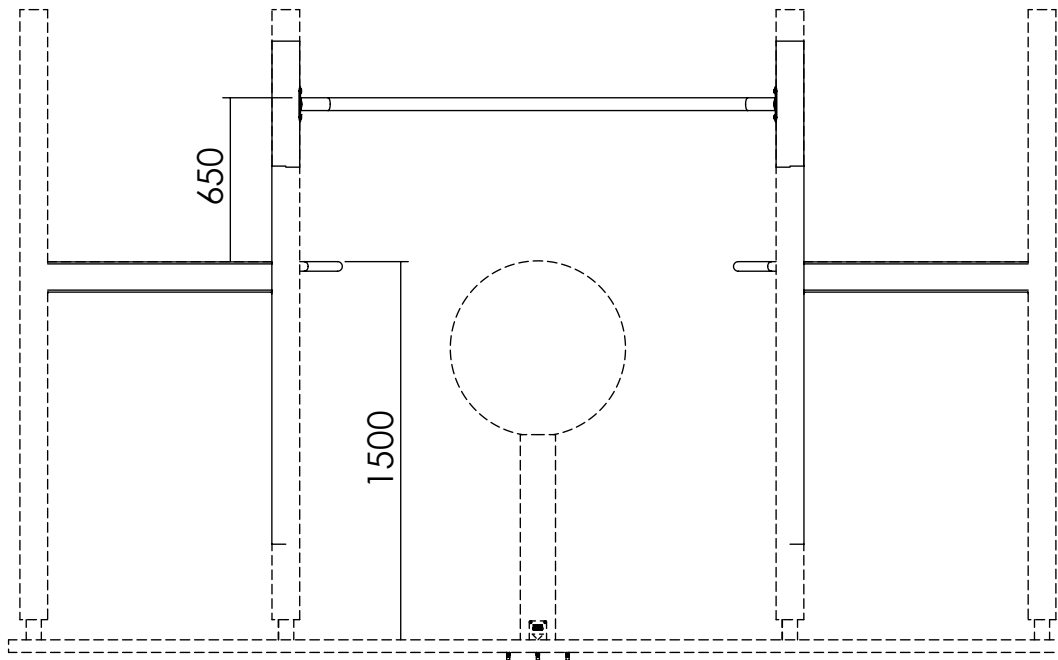
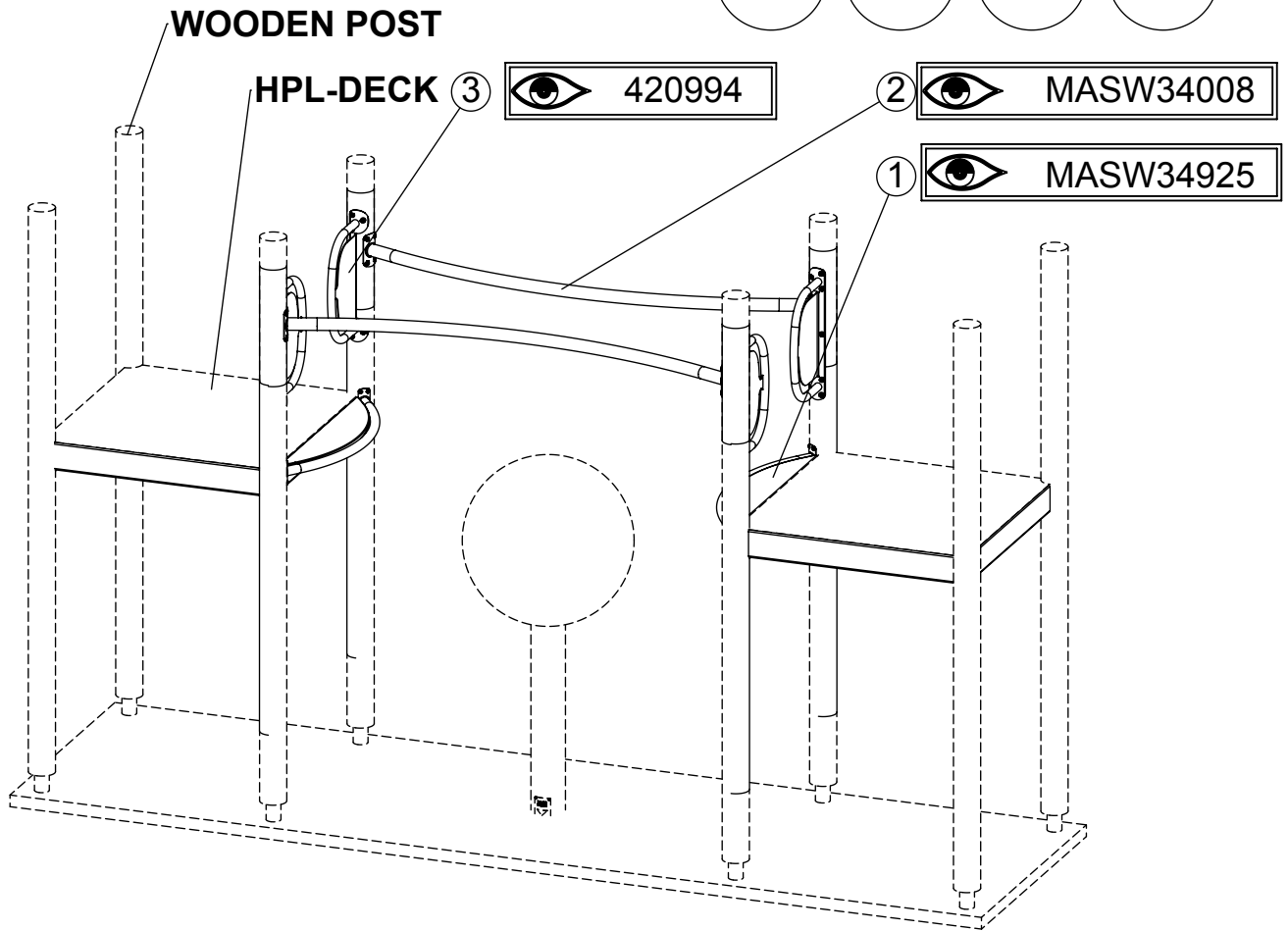
NR.	Description MA	Item Number	QTY.
1	Floor add on	8046790	2
2	Handrail	8049216	2
3	Gripbow	8043166	4

HAGS ANEBY, SWEDEN
+46(0)380-47300
www.hags.com

Ball
MASW37993
2 (8)

SS ToB 2017-03-23 5

OM S CC BM



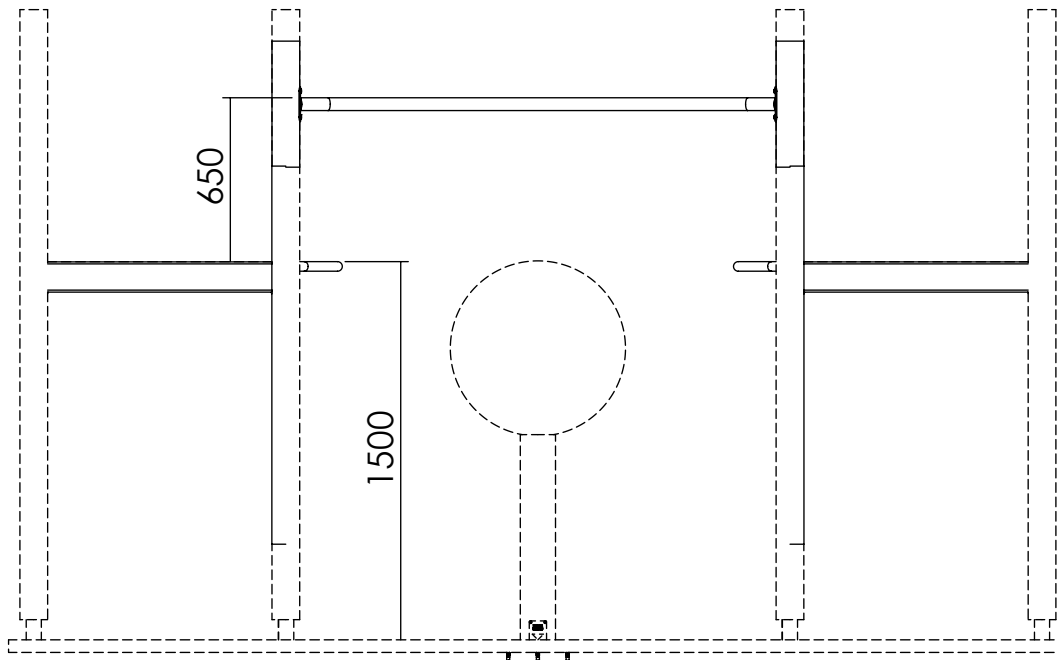
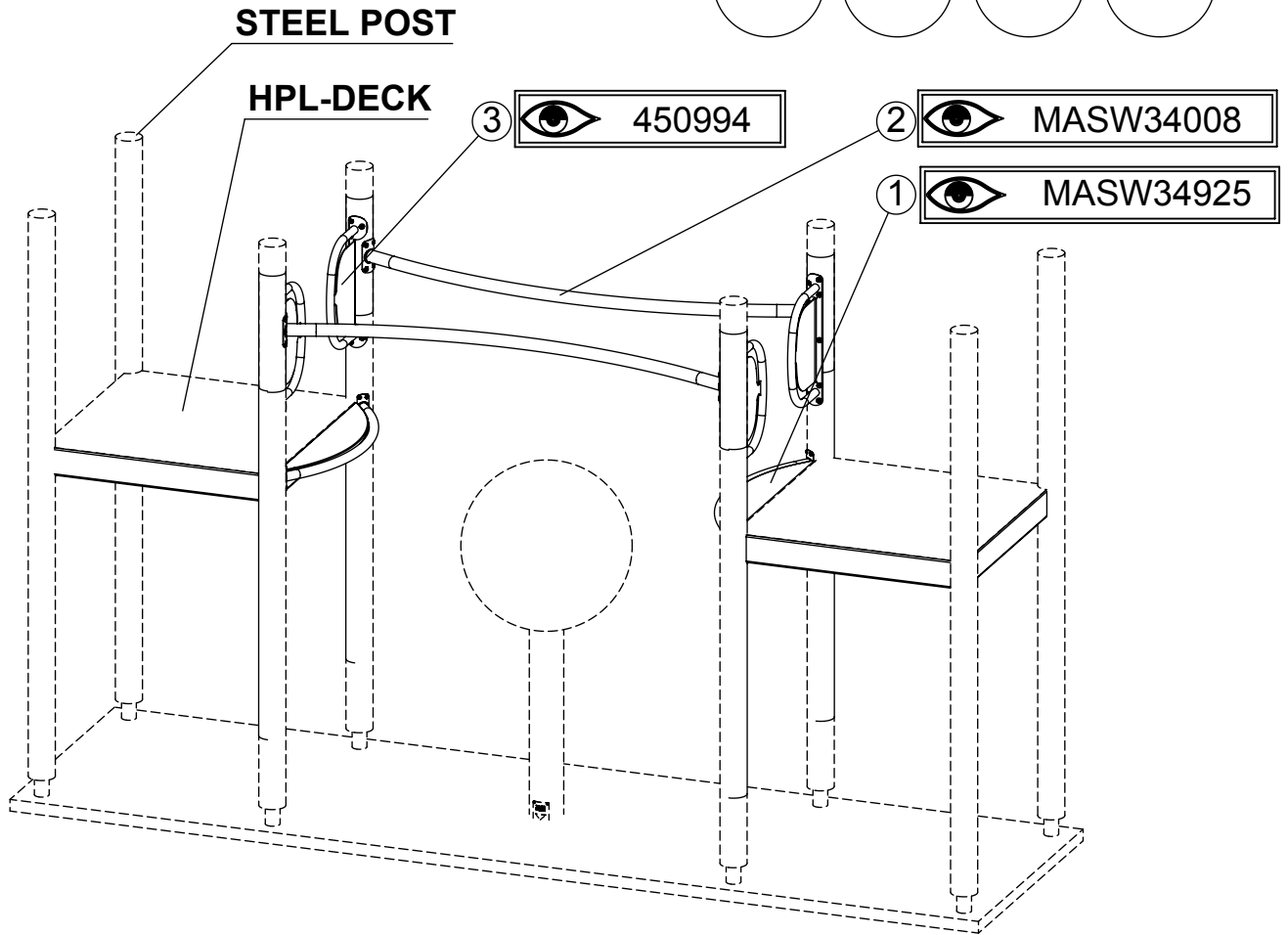
NR.	Description MA	Item Number	QTY.
1	Floor add on	8060721	2
2	Handrail	8049216	2
3	Gripbow	8043166	4

HAGS ANEBY, SWEDEN
+46(0)380-47300
www.hags.com

Ball
MASW37993
3 (8)

SS ToB 2017-03-23 5

OM S CC BM



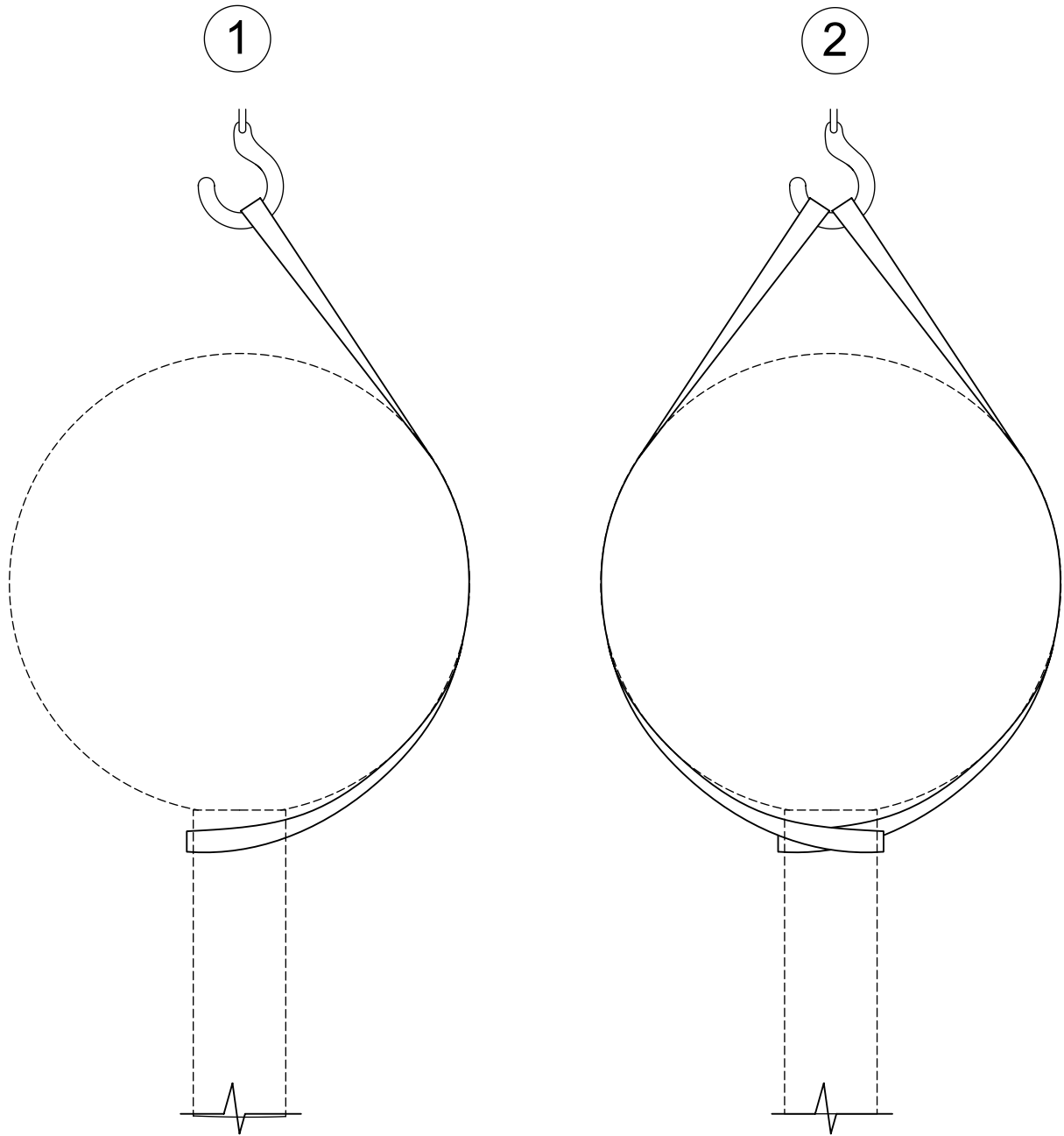
NR.	Description MA	Item Number	QTY.
1	Floor add on	8060722	2
2	Handrail	8051119	2
3	Gripbow	8060209	4

HAGS ANEBY, SWEDEN
+46(0)380-47300
www.hags.com

Ball
MASW37993
4 (8)

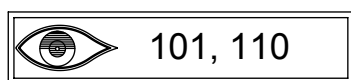
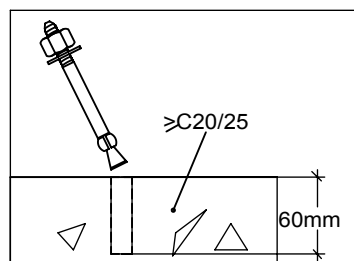
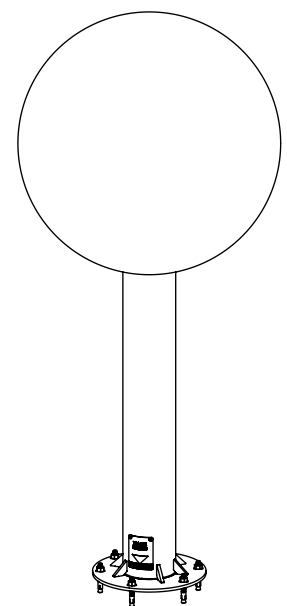
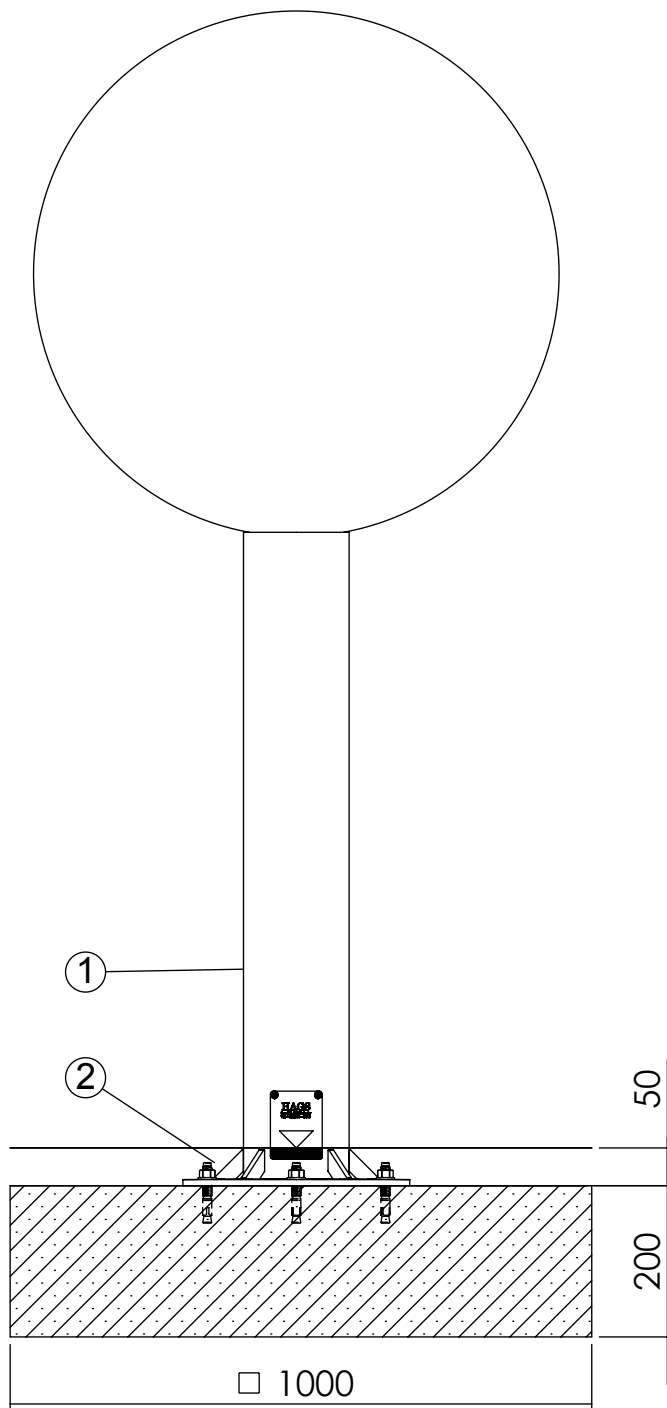
SS ToB 2017-03-23 5

OM S CC BM



HAGS		ANEBY, SWEDEN +46(0)380- 47300 www.hags.com	
Ball			
MASW37993			
5 (8)			
	SS		ToB
			2017-03-23
			5

NR.	Description MA	Item Number	QTY.
1	Lifting straps	8043735	2

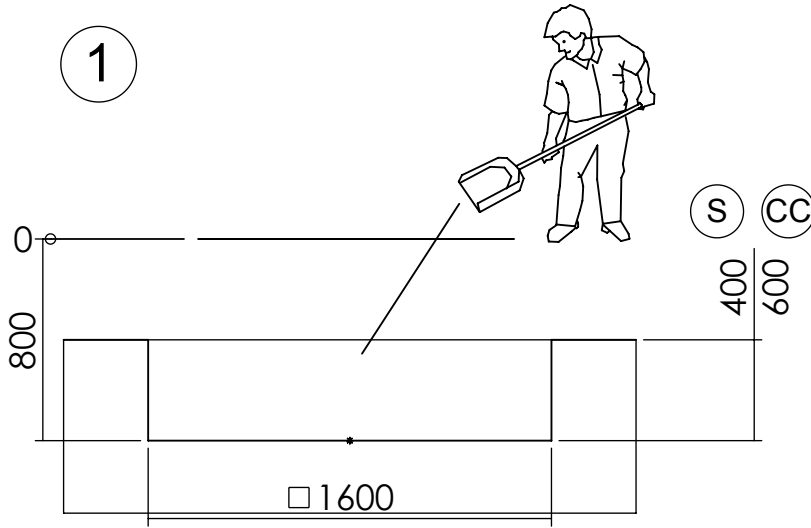


NR.	Description MA	Item Number	QTY.
1	Ball, -50, OM	8049568	1
2	M12x80 mm	303001	6

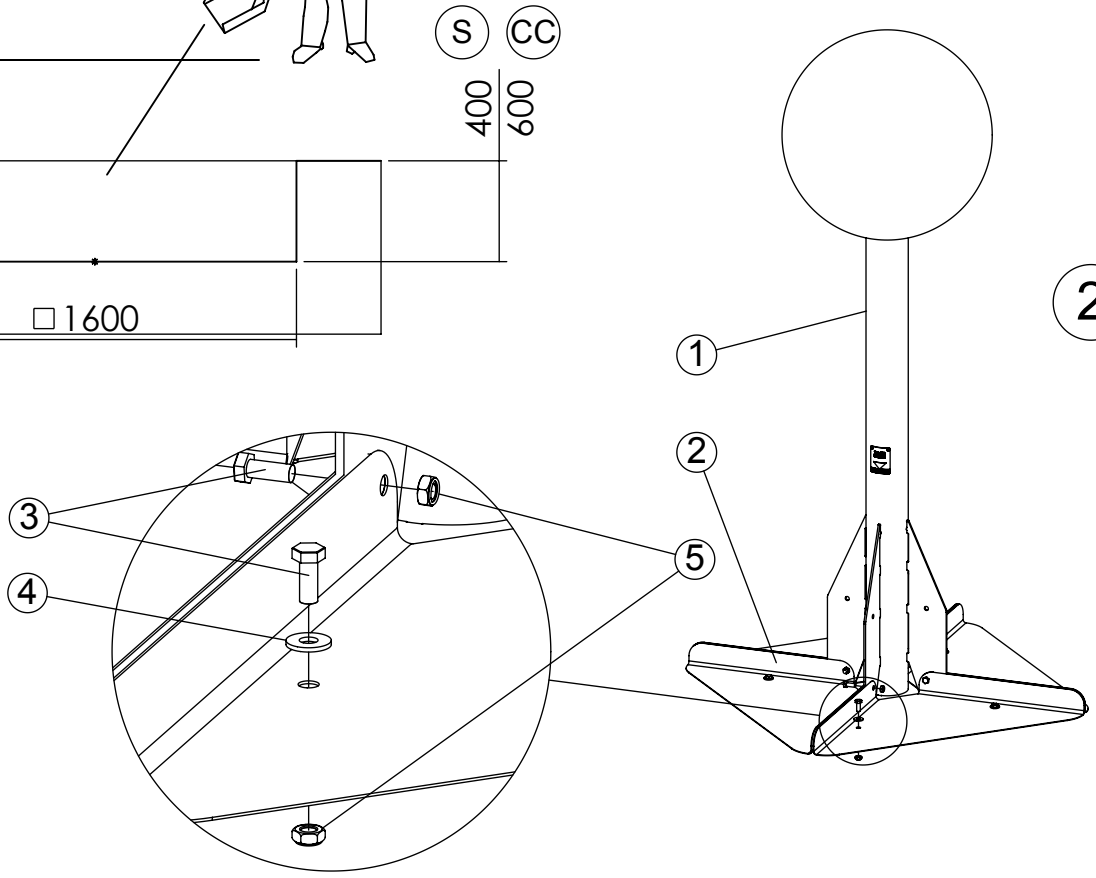
HAGS		ANEBY, SWEDEN +46(0)380-47300 www.hags.com	
Ball			
MASW37993			
6 (8)			
	SS		ToB
			2017-03-23
			5

S CC

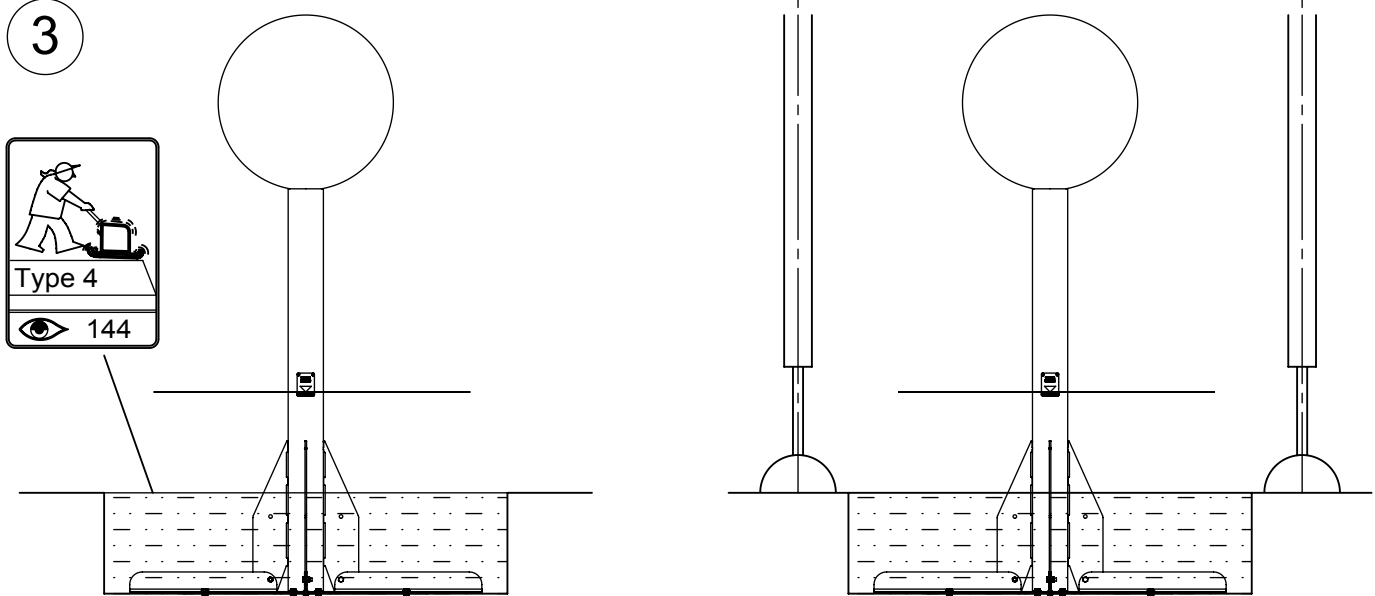
1



2



3



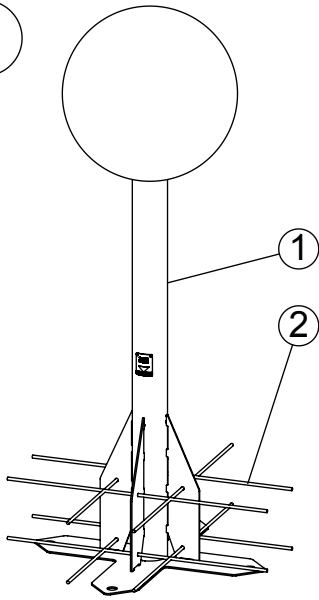
NR.	Description MA	Item Number	Qty
1	Ball, -800, S, CC	8050902	1
2	Stabilization plate	8050808	4
3	M6S M12x90 mm	8008411	12
4	Ø12,5x30x3 mm	8008834	8
5	Lock Nut M12	8042811	12

HAGS ANEBY, SWEDEN
+46(0)380-47300
www.hags.com

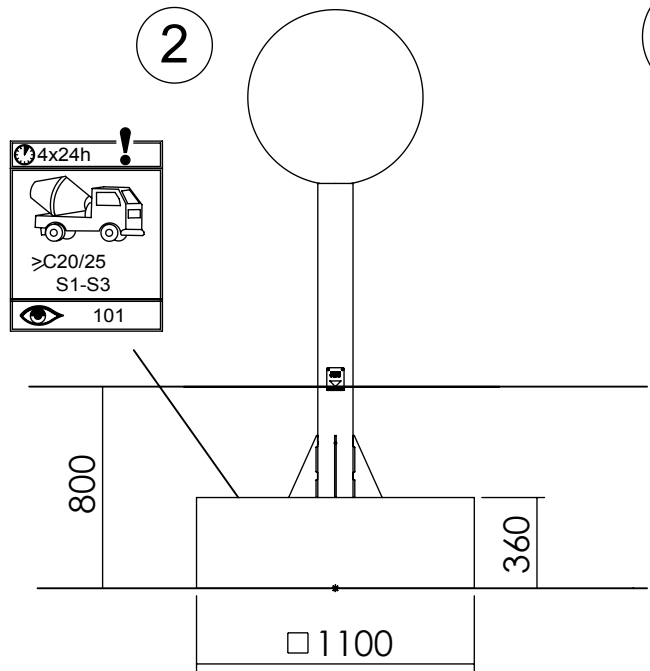
Ball
MASW37993
7 (8)

SS ToB 2017-03-23 5

1

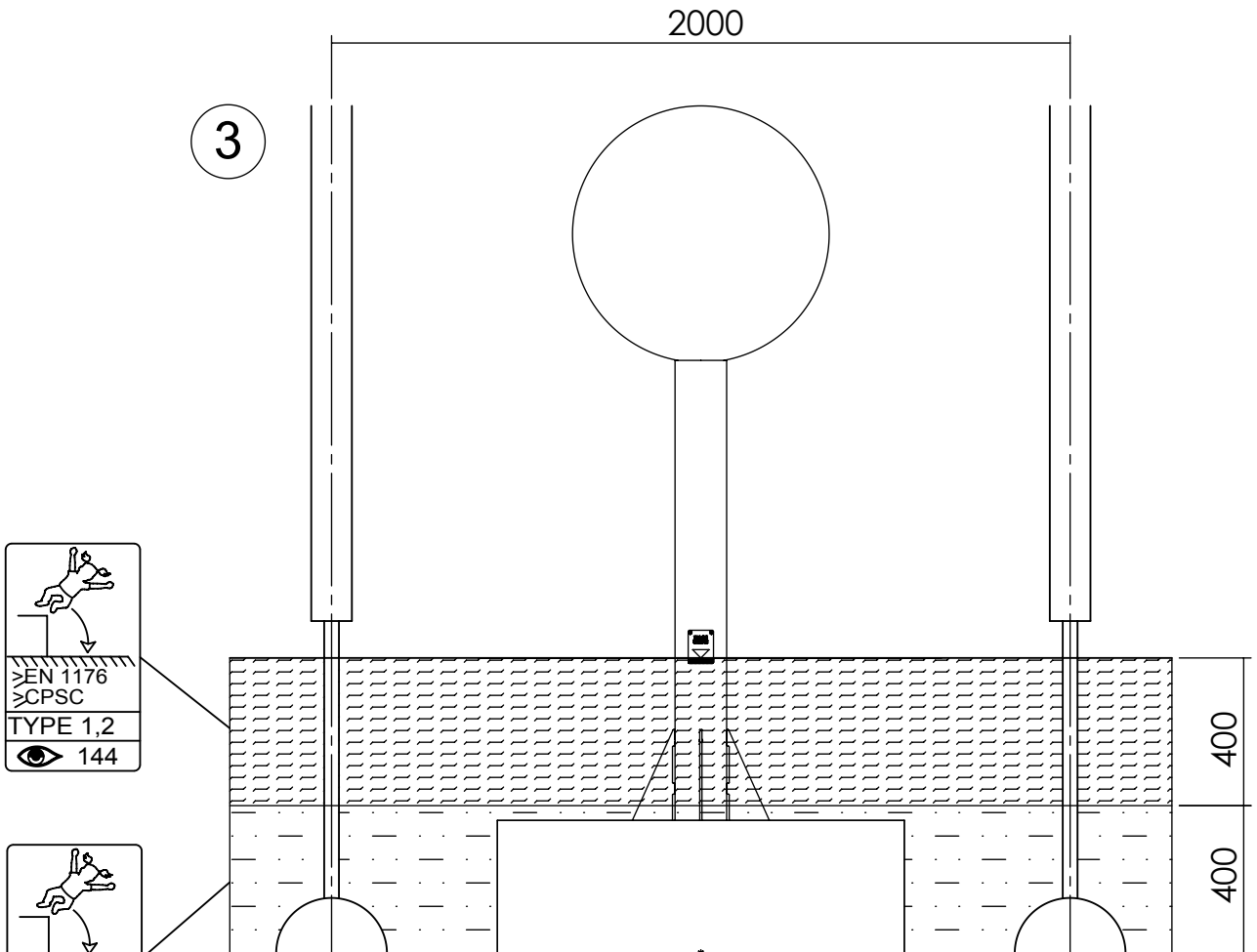


2



BM

3



>EN 1176
>CPSC
TYPE 1,2
144

>EN 1176
>CPSC
TYPE 4
144

HAGS ANEBY, SWEDEN
+46(0)380-47300
www.hags.com

Ball
MASW37993
8 (8)

SS ToB 2017-03-23 5

NR.	Description MA	Item Number	Qty
1	Ball, -800, BM	8049546	1
2	Reinforcement Ø12x1100 mm	8003873	8