

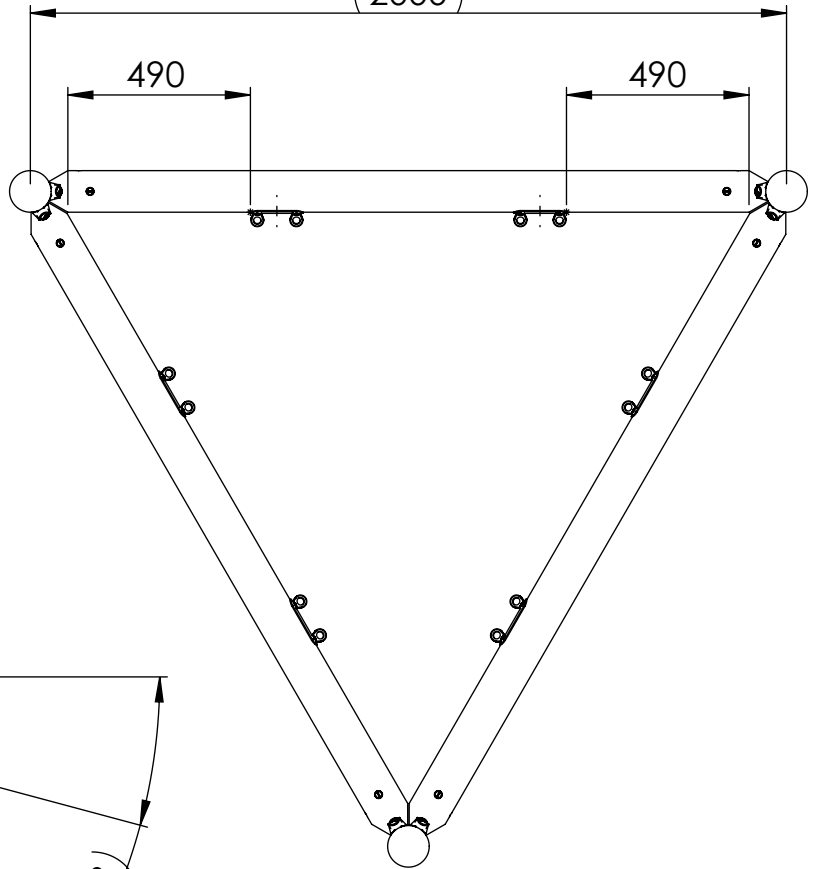
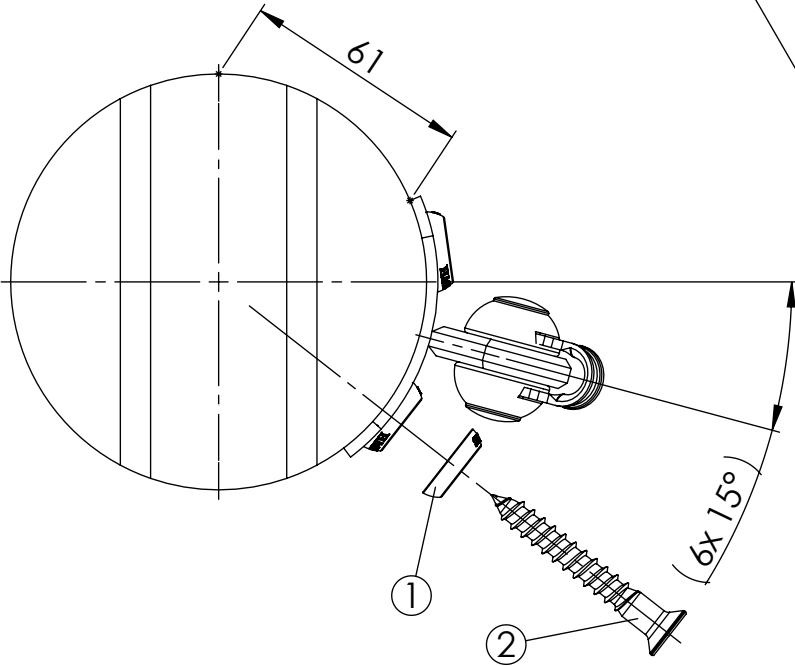
HAGS		ANEBY, SWEDEN +46(0)380- 47300 www.hags.com	
Net, 2x2x2m			
MASW36304			
1 (3)			
	SS		ToB
			2017-03-31
			6

(2000)

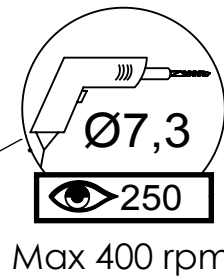
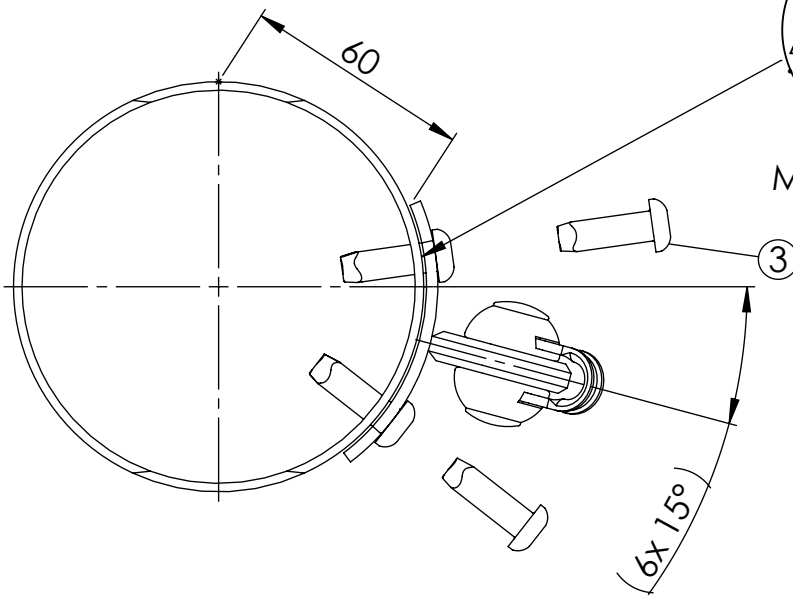
490

490

1A WOODEN BEAM



1B STEEL BEAM

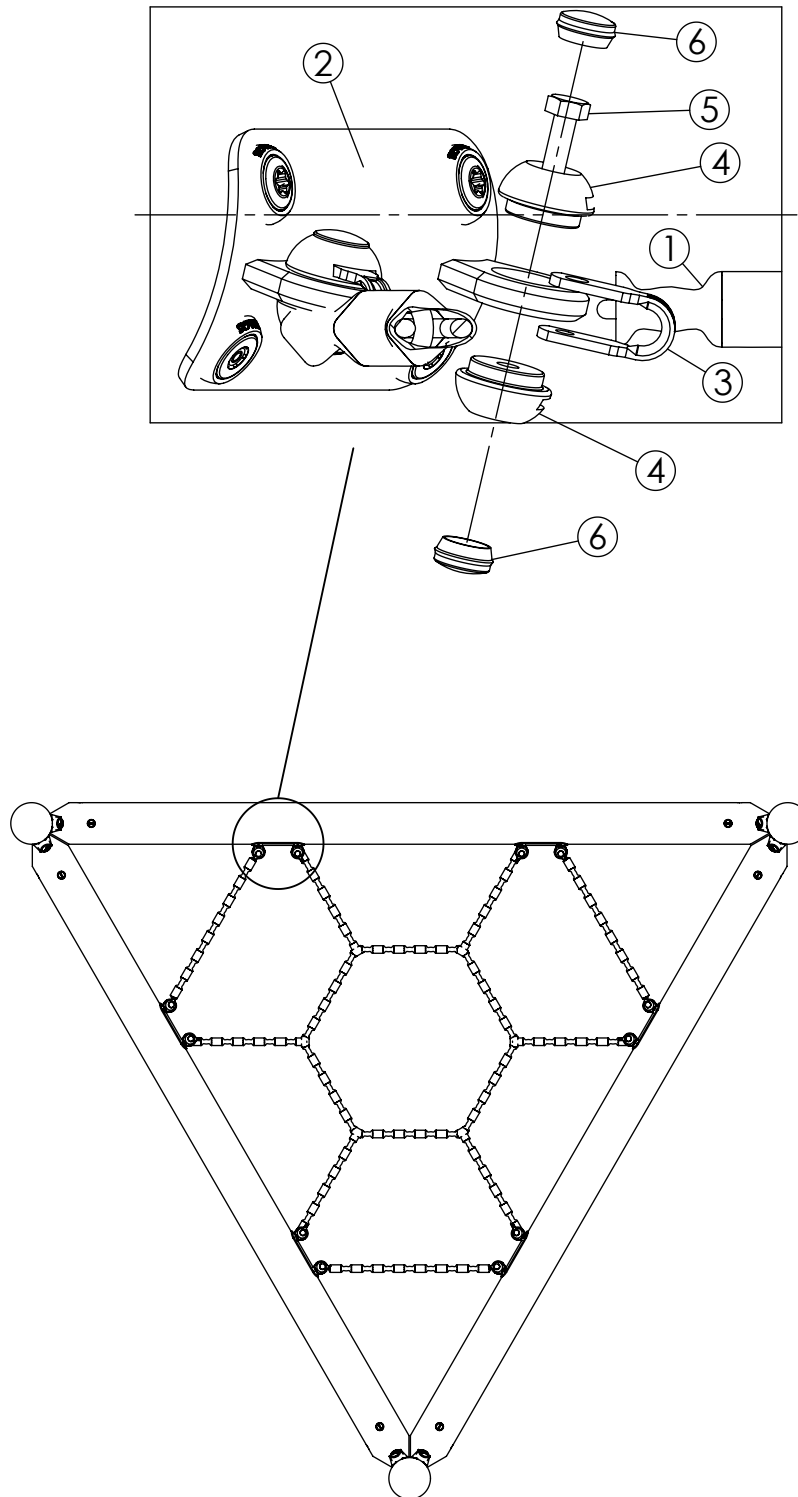


HAGS ANEBY, SWEDEN
+46(0)380-47300
www.hags.com

Net, 2x2x2m
MASW36304
2 (3)

NR.	Description MA	Item Number	Qty
1	TKFT, 8.8, 8x60	8008646	24
2	Countersink washer 8	8035288	24
3	Screw, thr-forming M8x25-8.8-(ISO7380)	8008506	24

2



NR.	Description MA	Item Number	QTY.
1	Net	8048611	1
2	Mounting loop	8048605	6
3	Schakel	8008965	12
4	Cap M6, Ø26x14 mm	8005970	24
5	M6S M6x20 mm	8008330	12
6	Cover M6, Ø16x8 mm	8005971	24
11			6
12	KTS-GF M8x25 mm	8008506	12
13	MGLP R8 E	8008902	12

HAGS ANEBY, SWEDEN
+46(0)380-47300
www.hags.com

Net, 2x2x2m
MASW36304
3 (3)

SS ToB 2017-03-31 6