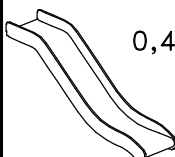
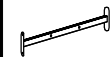
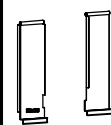
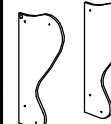
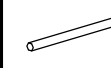
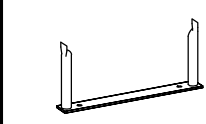
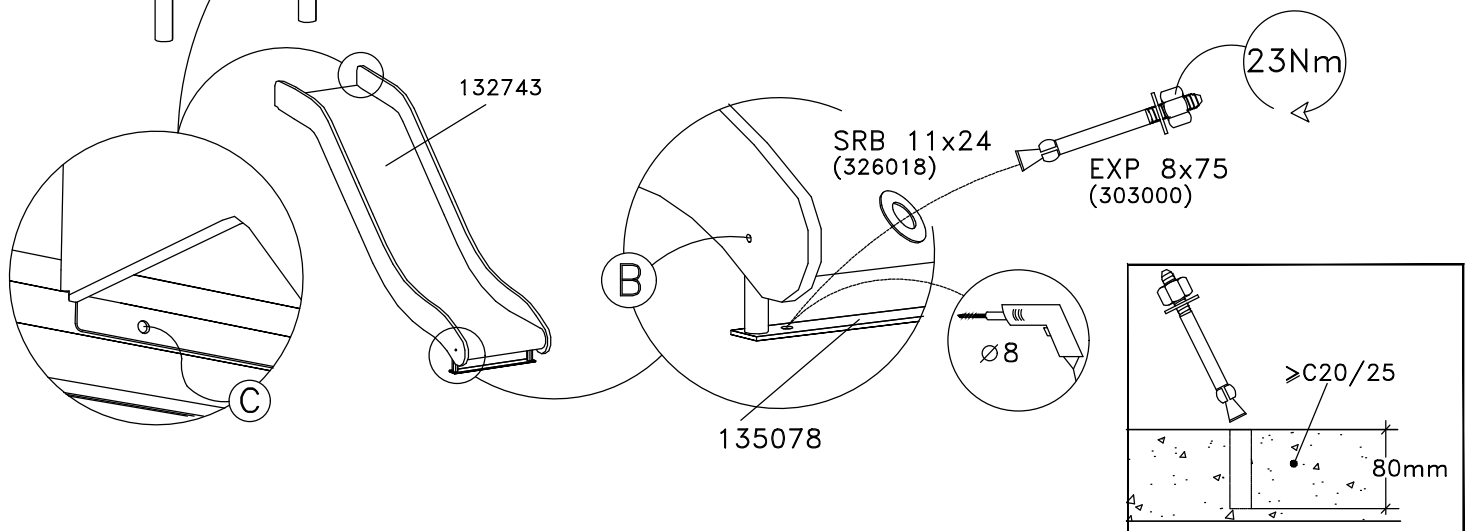
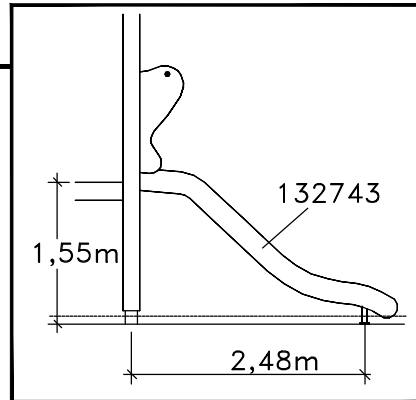
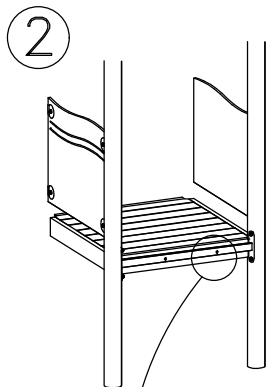
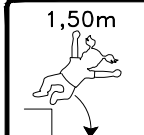
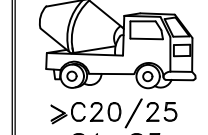

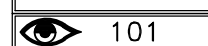




TYPE	HAGS.NO
 0,45x3,2m	132743
 0,89m	410601
 Right panel is marked with punched HAGS logo! 0,2x0,74m	135020-02 135021-02
 0,37x0,71m	135010-01 135011-01 135012-01 135013-01
 Ø25mm L=0,45m	153406
 0,05x0,28x0,43m	135078

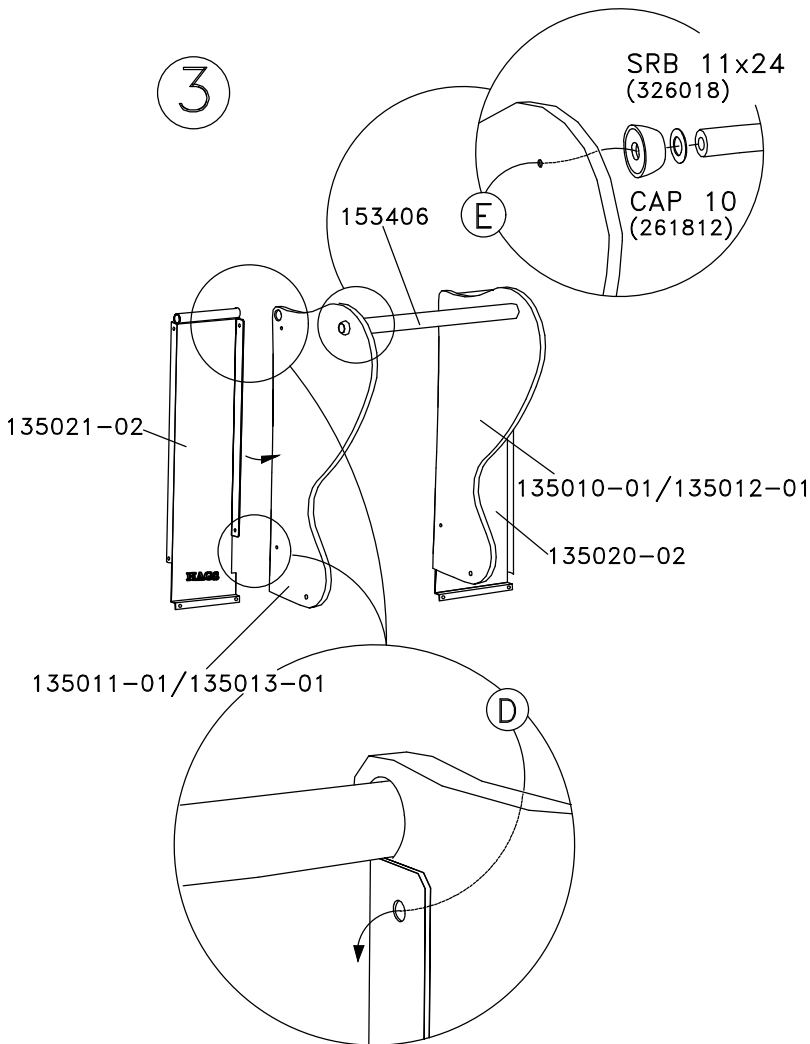


A	TKFT 8x60 (310510)	18/15x4,5 (261817)	
B	COVER 8 (261808)	SRB 9x18 (326017)	SRB 9x18 (326017)
	M6S 8x40 (302161)	CAP 8 (261806)	M6M A2 M8 (324102)
C	COVER 10 (261814)	SRB 11x24 (326018)	
	M6S 10x25 (302207)	CAP 10 (261812)	

 1,50m ≥EN 1176 ≥CPSC	 2x24h! ≥C20/25 S1-S3
	 101

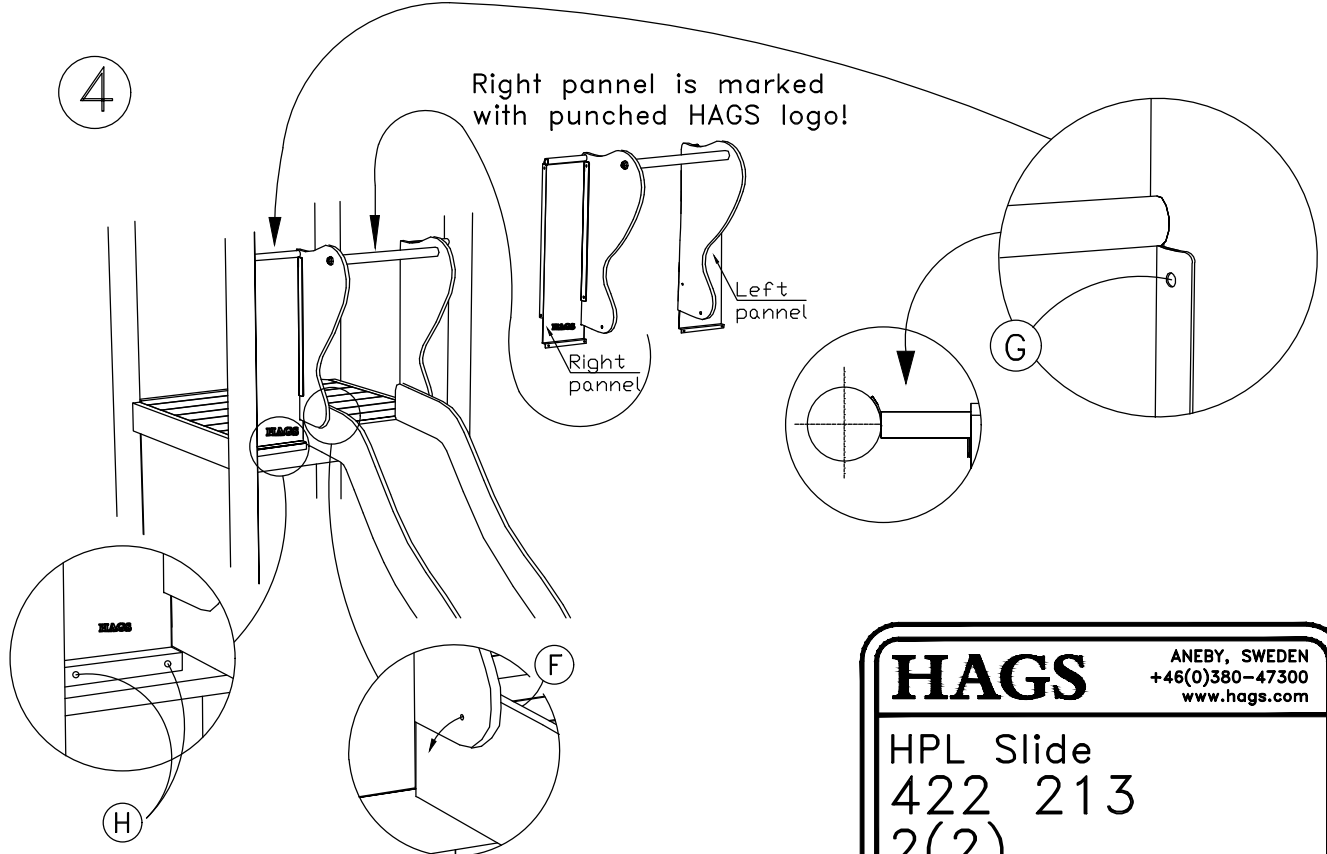
HAGS	ANEBY, SWEDEN +46(0)380-47300 www.hags.com
HPL Slide 422 213 1(2)	
 TJ  - -	6

3



D	MVBF 6x25 (304552)	M6M A2 M6 (324101)	COVER 6 (261801)
E	COVER 8 (261808)	SRB 9x18 (326017)	CAP 8 (261806)
F	CAP 8 (261806)	M6M A2 M8 (324102)	COVER 8 (261808)
G	TKFT 6x40 (311100)	15/7x3 (261819)	
H	Screw thr-forming M6x25-8.8-(ISO7380) (8027762)	Ø5,5 250	MAX 500rpm

4



HAGS ANEBY, SWEDEN
+46(0)380-47300
www.hags.com

HPL Slide
422 213
2(2)

TJ - - 6