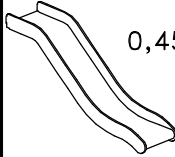

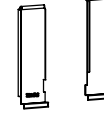
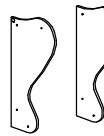

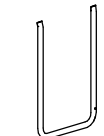
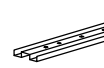
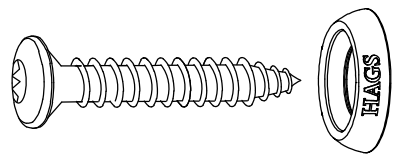
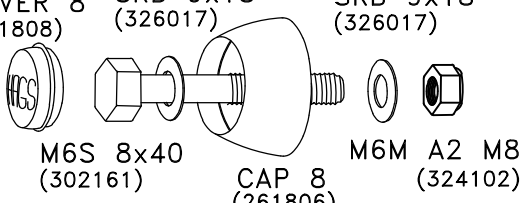


TYPE	HAGS.NO
 0,45x2,6m	132742
 0,89m	410601
 Right panel is marked with punched HAGS logo! 0,2x0,74m	135020-02 135021-02
 0,37x0,71m	135010-01 135011-01 135012-01 135013-01
 Ø25mm L=0,45m	153406
 L=0,96m	41006230
 0,62m	610071-02

**A** TKFT 8x60 (310510) 18/15x4,5 (261817)

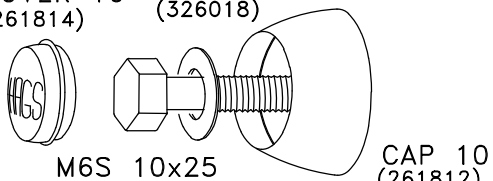


**B** COVER 8 (261808) SRB 9x18 (326017) SRB 9x18 (326017)

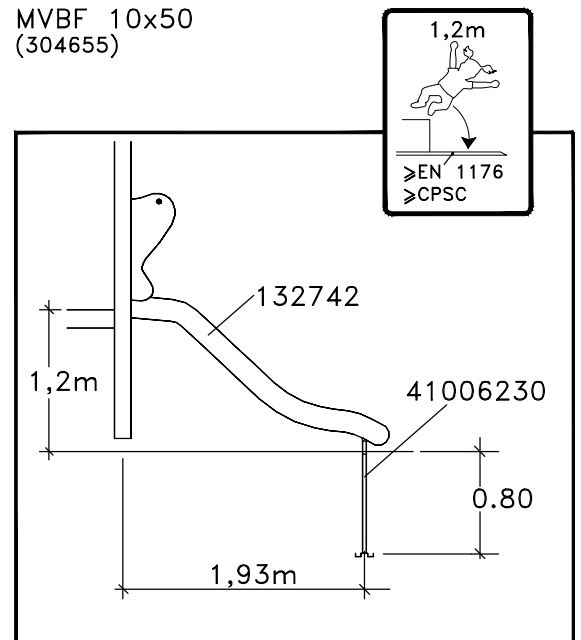


M6S 8x40 (302161) CAP 8 (261806) M6M A2 M8 (324102)

**C** COVER 10 (261814) SRB 11x24 (326018)



M6S 10x25 (302207) CAP 10 (261812)



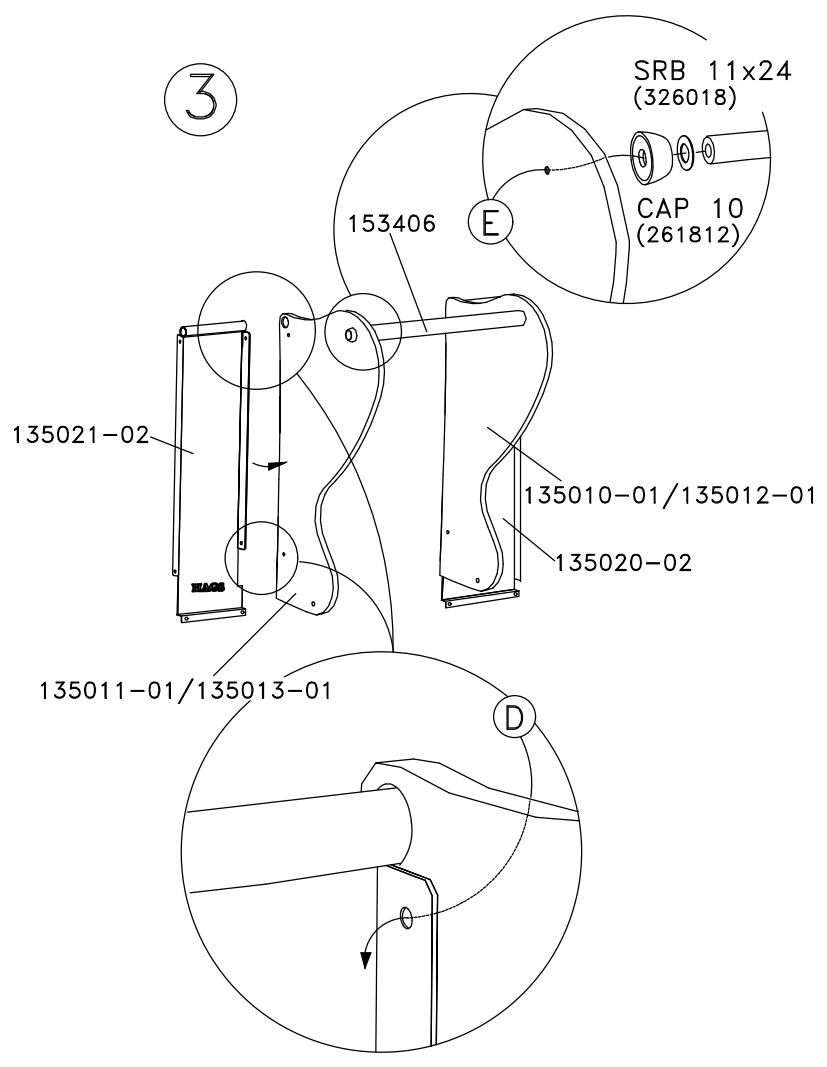
**HAGS** ANEBY, SWEDEN  
+46(0)380-47300  
www.hags.com

HPL Slide  
424 212  
1(2)

TJ

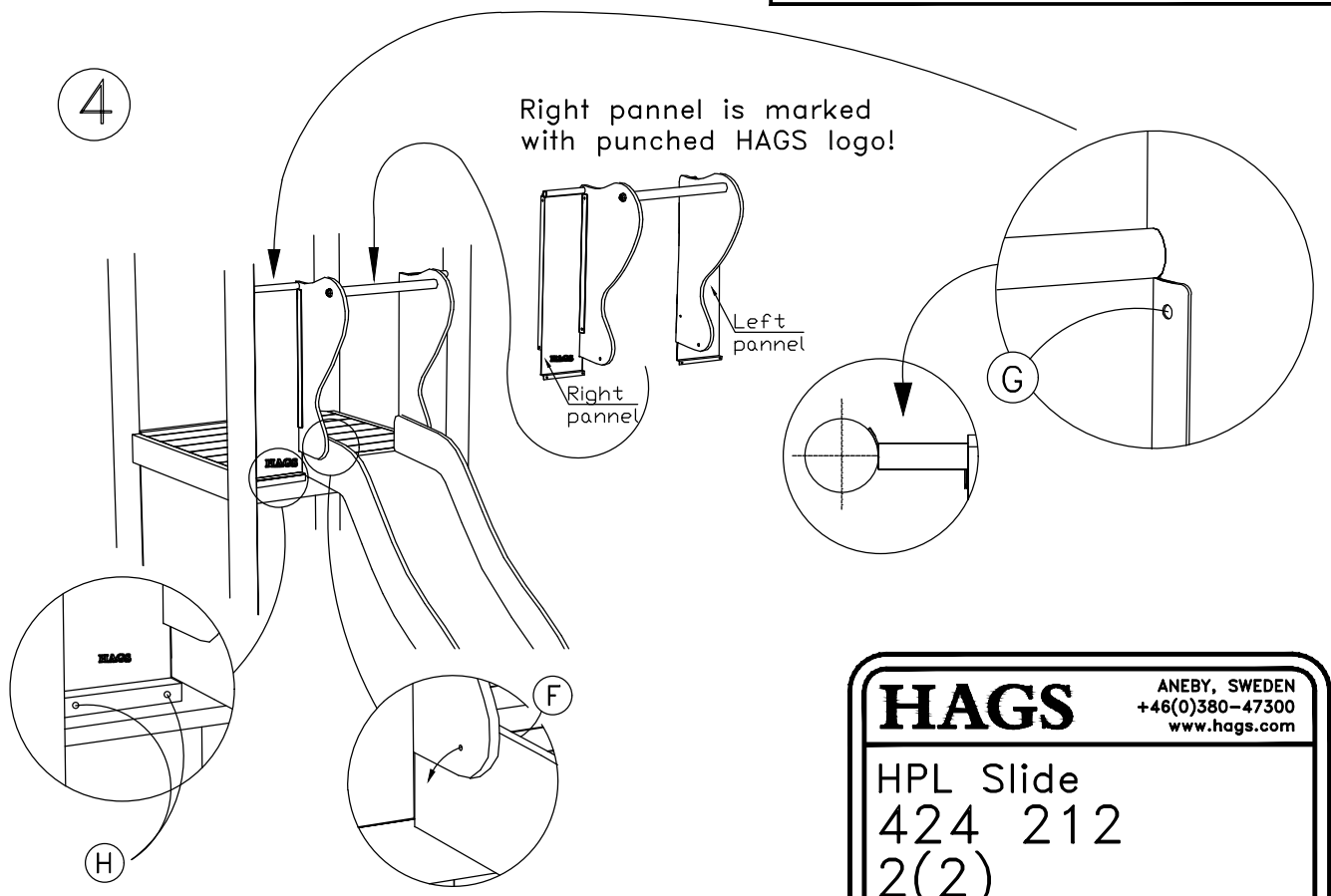
6

3



D	MVBF 6x25 (304552)	M6M A2 M6 (324101)	COVER 6 (261801)
E	COVER 8 (261808)	SRB 9x18 (326017)	CAP 8 (261806)
F	MVBF 8x45 (304605)	M6M A2 M8 (324102)	COVER 8 (261808)
G	TKFT 6x40 (311100)	15/7x3 (261819)	
H	Screw thr-forming M6x25-8.8-(IS07380) (8027762)	Ø5,5 250 MAX 500rpm	

4



<b>HAGS</b>		ANEBY, SWEDEN +46(0)380-47300 www.hags.com	
HPL Slide			
424 212			
2(2)			
	TJ		6