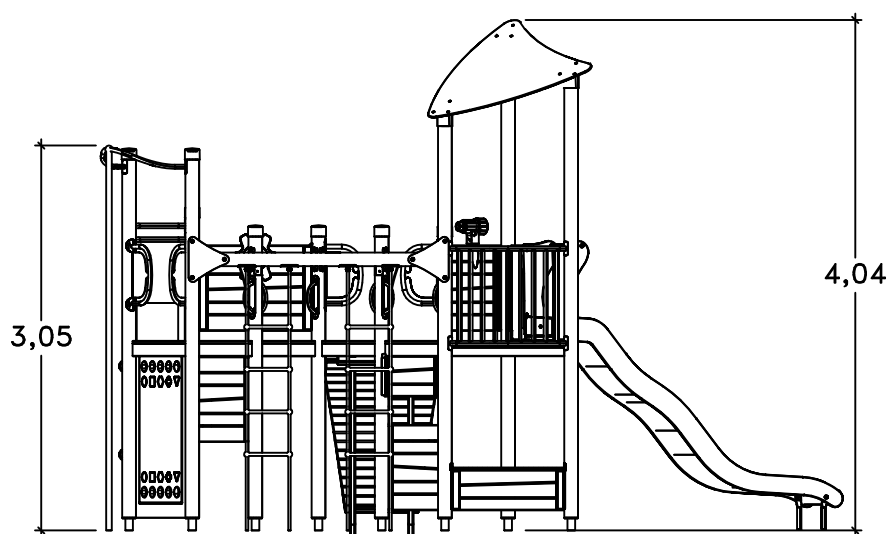
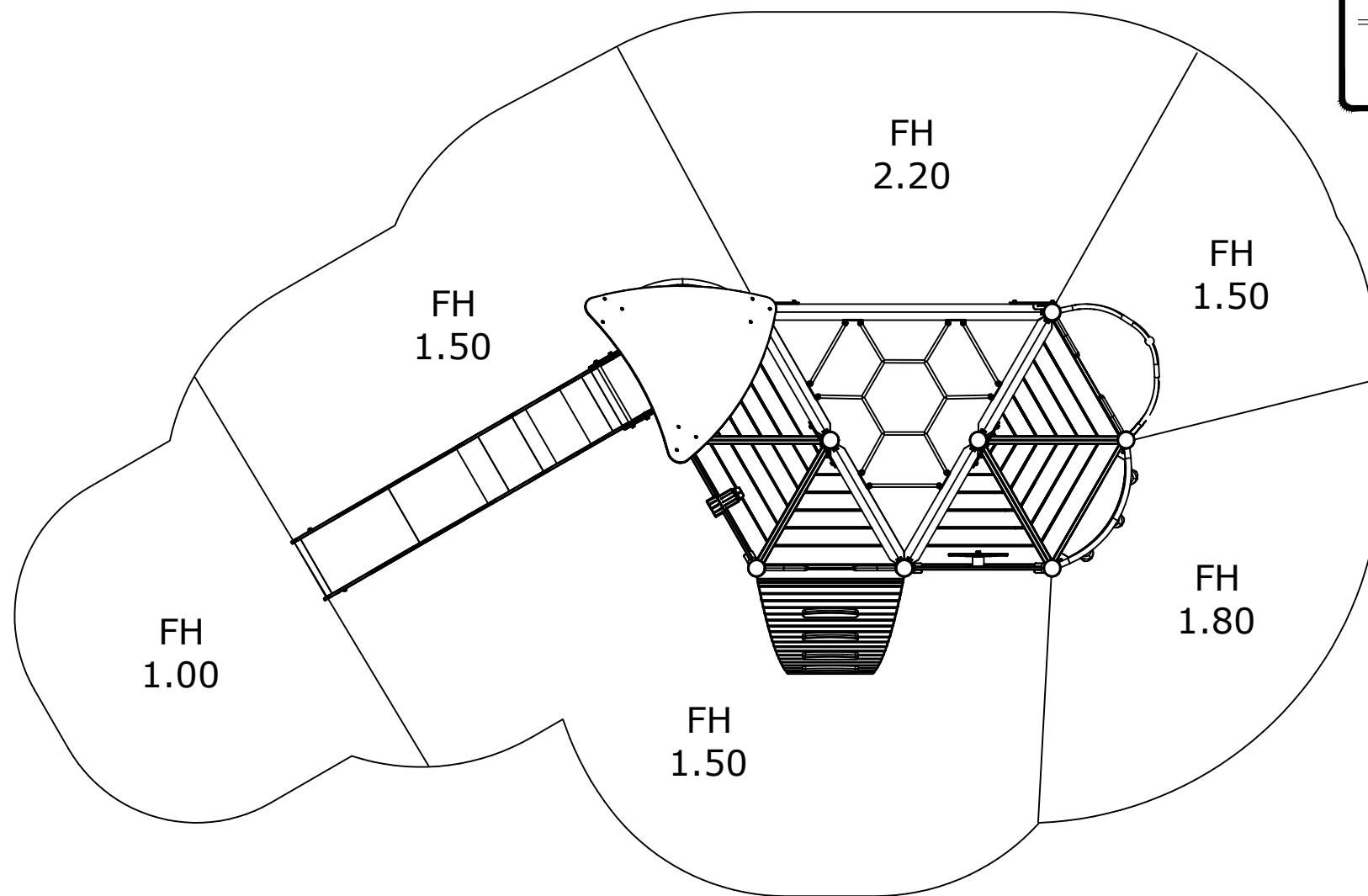
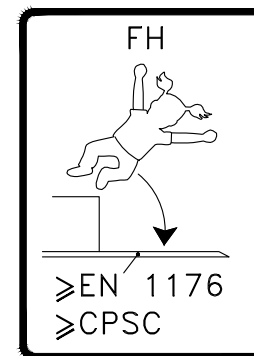
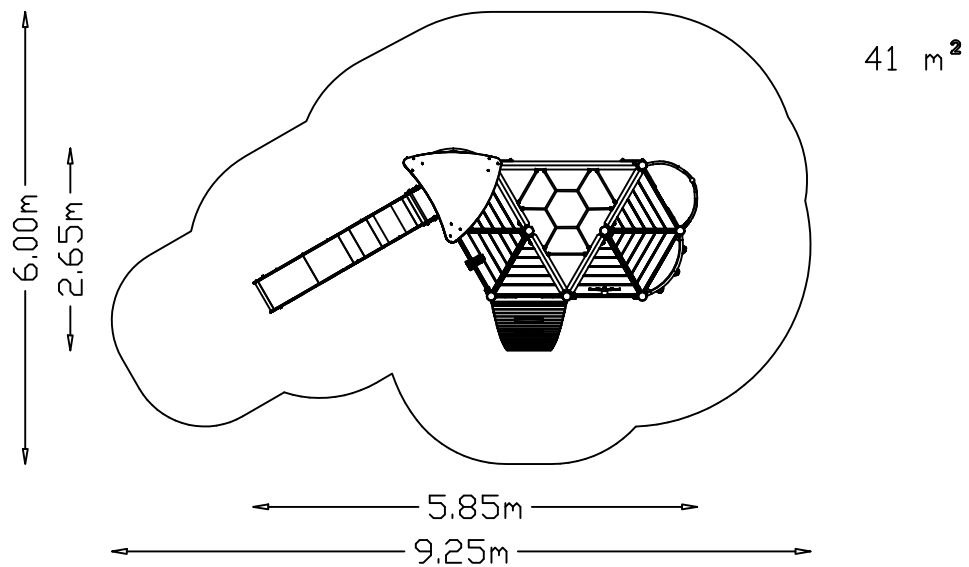


UniPlay Iktaz

1,0m 5,0m

[m]



HAGS ANEBY, SWEDEN
+46(0)380-47300
www.hags.com

UniPlay Iktaz
MASW65007
1/9

LN JN 2018-02-14 0



38h



Varje vecka
Every week
Jede woche
Chaque semaine



Varje säsong
Every season
Jedes Jahr
Chaque saison

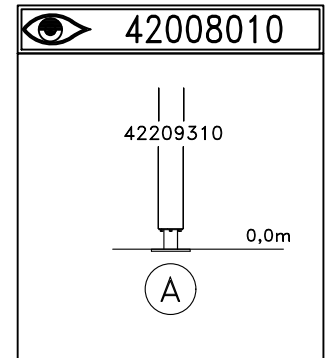
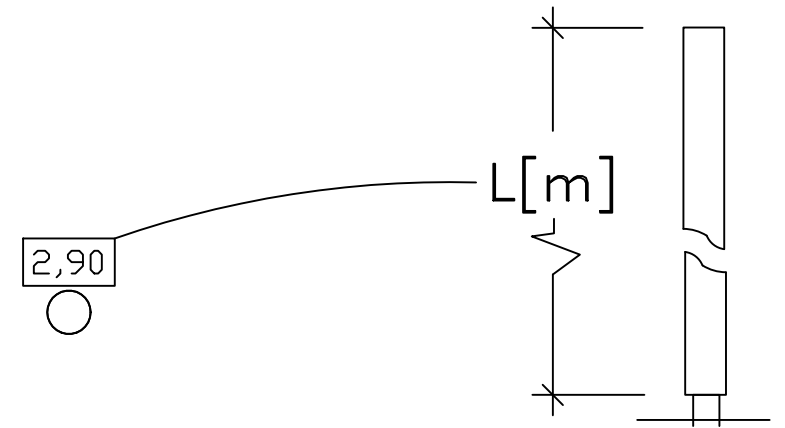
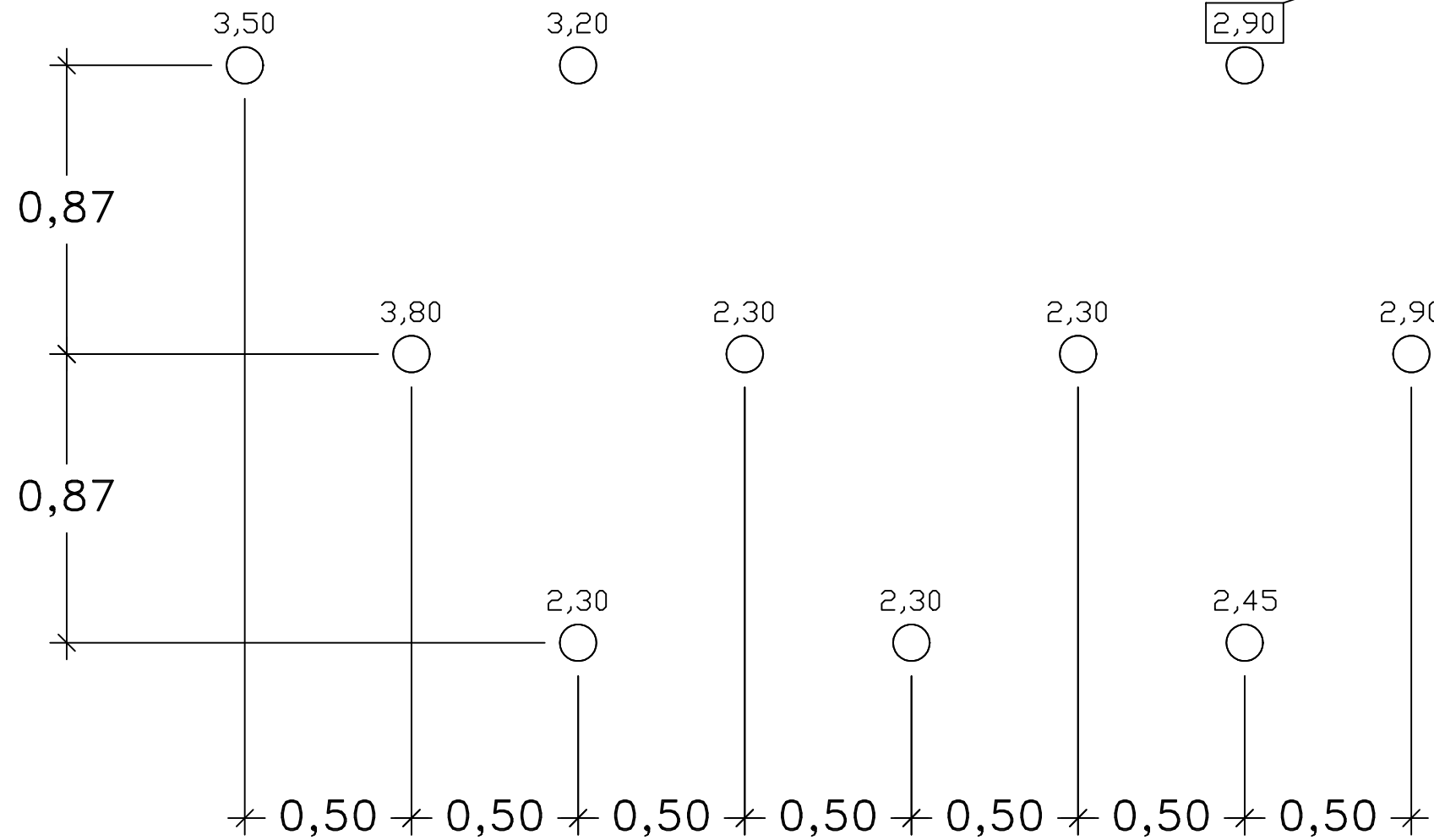
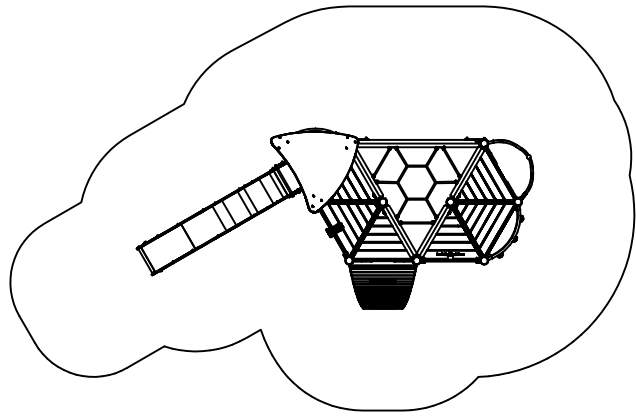


Step by Step UniPlay

1
2
3
4
5
6
7
8
9
10
11
12
13
14
15
16
17
18
19
20
21
22
23
24
25
26
27
28
29
30
31
32
33
34
35
36
37
38

UNIVERSAL TOOLKIT SUPPLIED WITH:
- 1x Allen key
- 1x Hex key
- 1x Torx key
- 1x Phillips key
- 1x Flathead screwdriver
- 1x Wrench
- 1x Hammer
- 1x Pencil
- 1x Spirit level
- 1x Square
- 1x Tape measure
- 1x Utility knife
- 1x Pry bar
- 1x Pickaxe
- 1x Shovel
- 1x Ratchet strap
- 1x Chain link
- 1x Safety harness
- 1x Safety net
- 1x Safety mat
- 1x Safety vest
- 1x Safety helmet
- 1x Safety glasses
- 1x Safety shoes
- 1x Safety gloves
- 1x Safety harness
- 1x Safety net
- 1x Safety mat
- 1x Safety vest
- 1x Safety helmet
- 1x Safety glasses
- 1x Safety shoes
- 1x Safety gloves

HAGS
UniPlay Iktaz
MASW65007
SE 1(3)
1/9



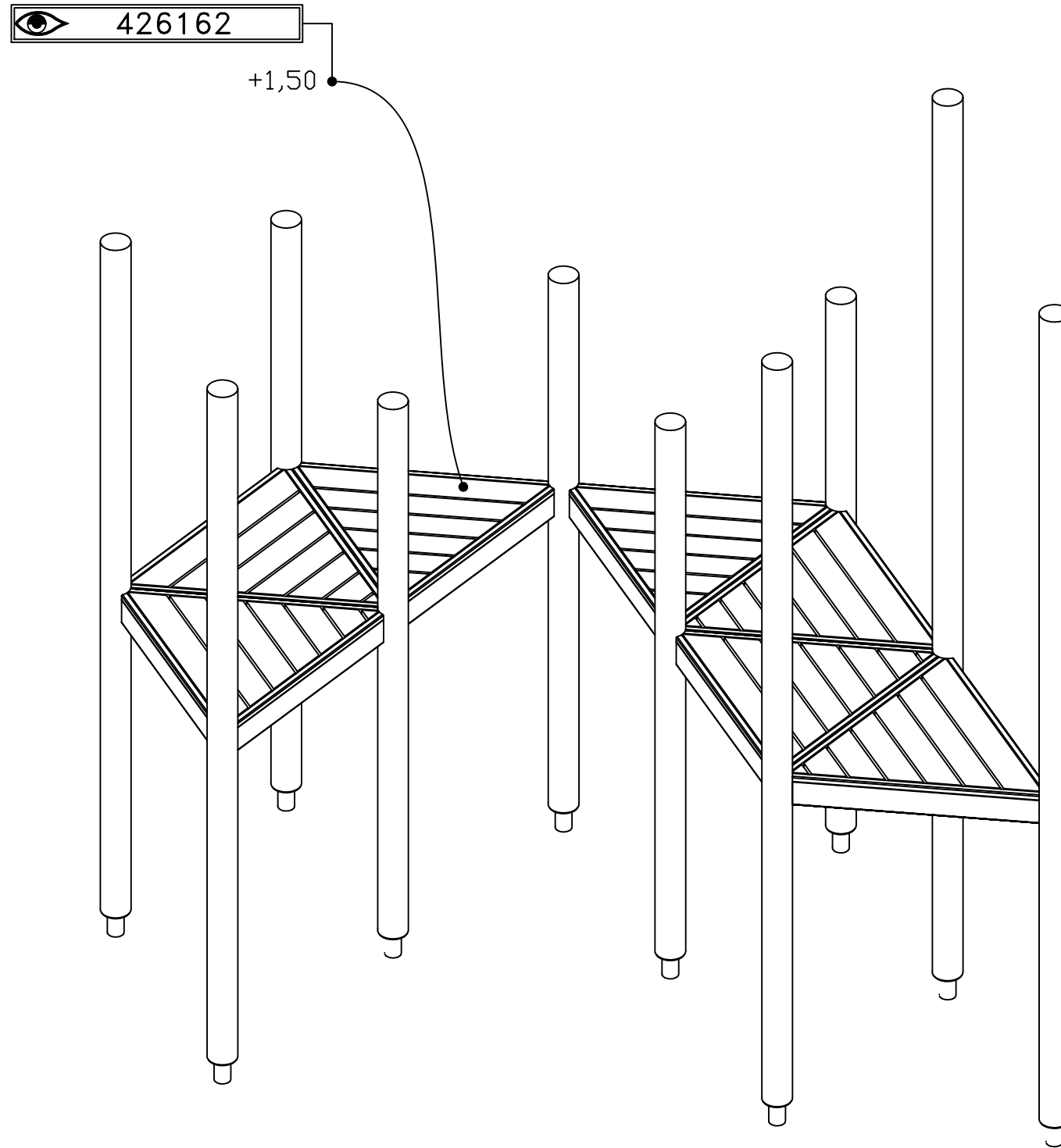
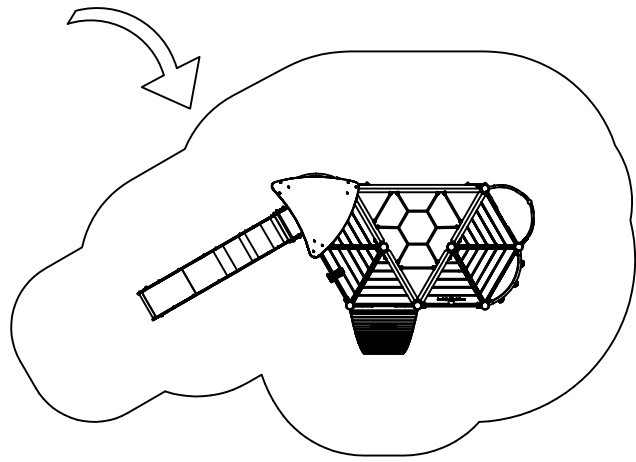
HAGS ANEBY, SWEDEN
+46(0)380-47300
www.hags.com

UniPlay Iktaz
MASW65007
2/9

LN JN 2018-02-14 0

STEP 1

[m]



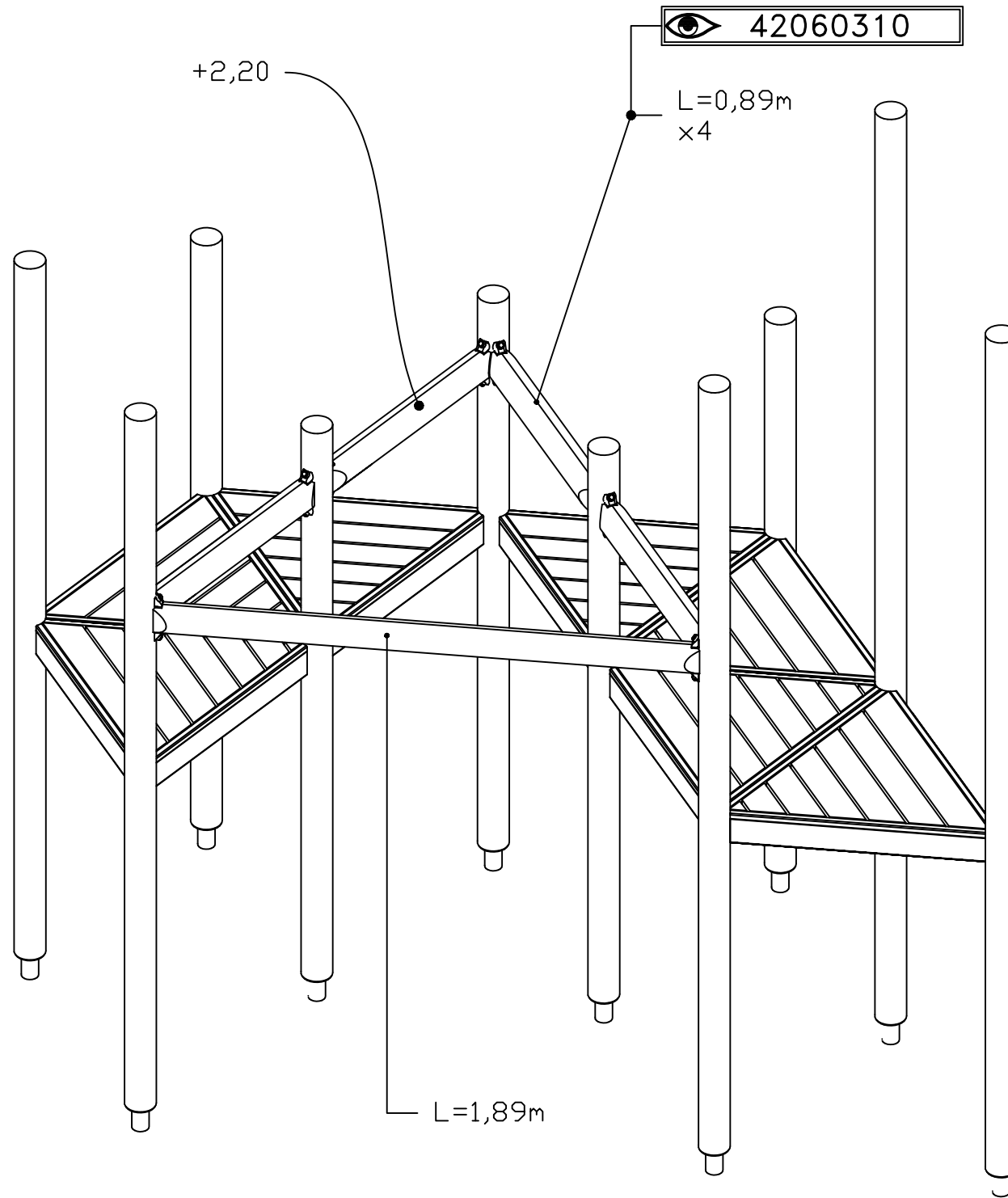
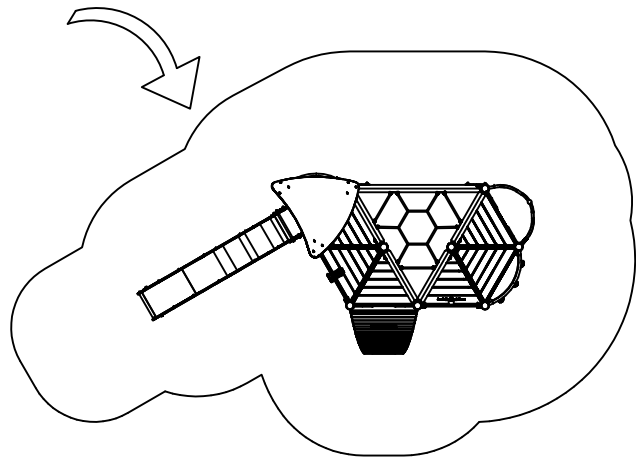
HAGS ANEBY, SWEDEN
+46(0)380-47300
www.hags.com

UniPlay Iktaz
MASW65007
3/9

LN JN 2018-02-14 0

STEP 2

[m]



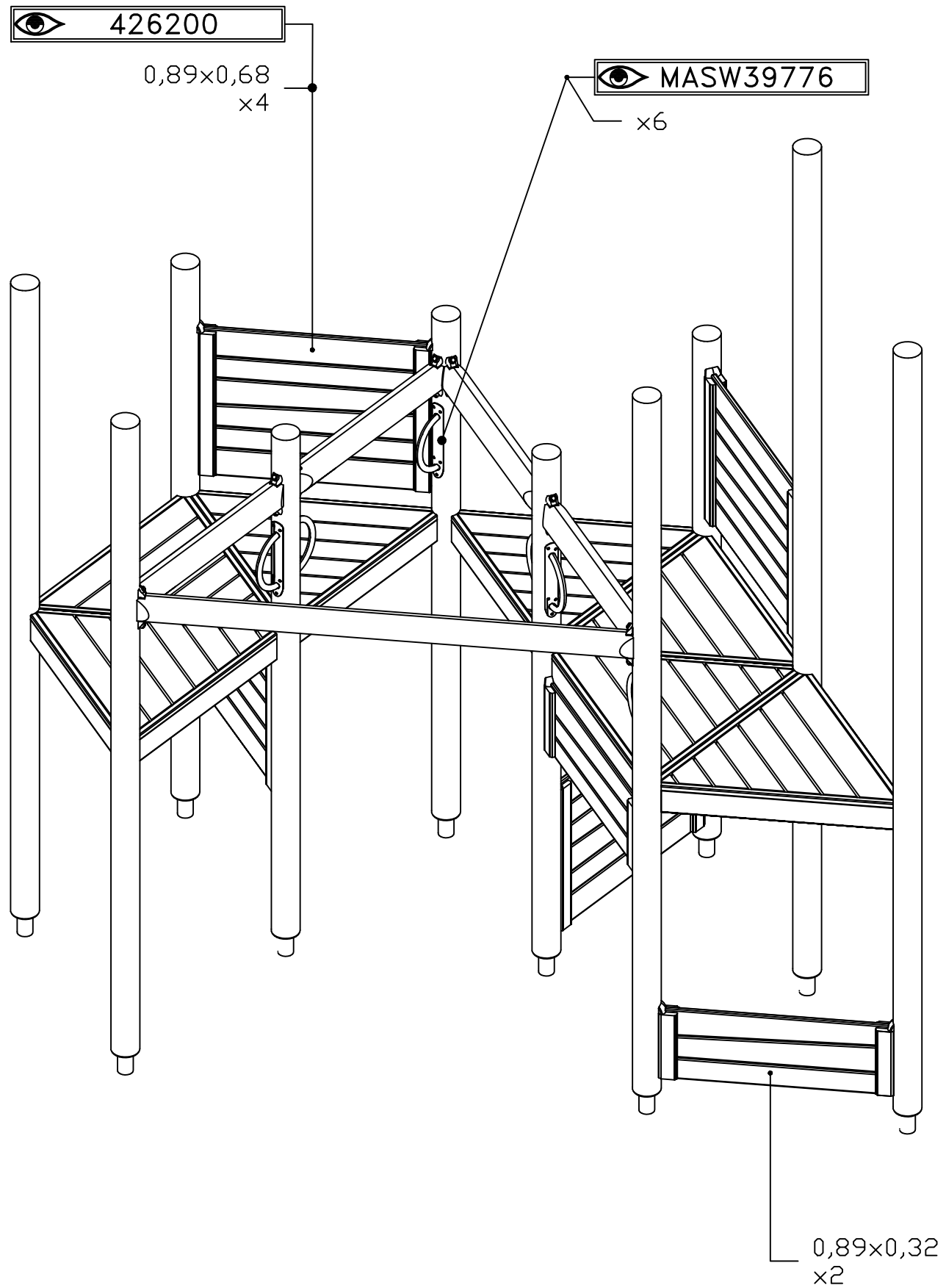
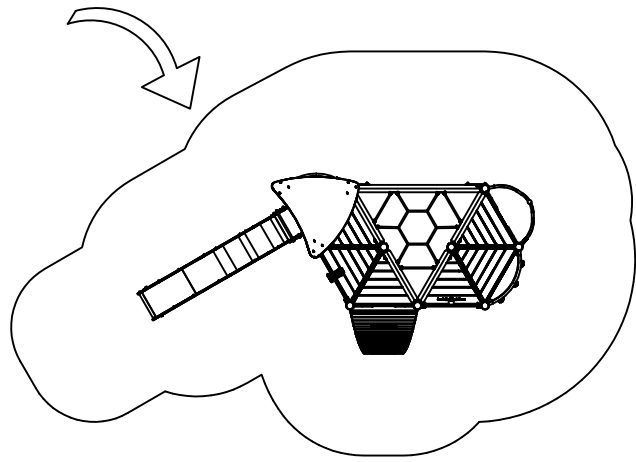
HAGS ANEBY, SWEDEN
+46(0)380-47300
www.hags.com

UniPlay Iktaz
MASW65007
4/9

LN JN 2018-02-14 0

STEP 3

[m]



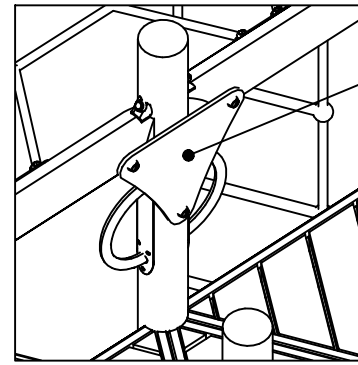
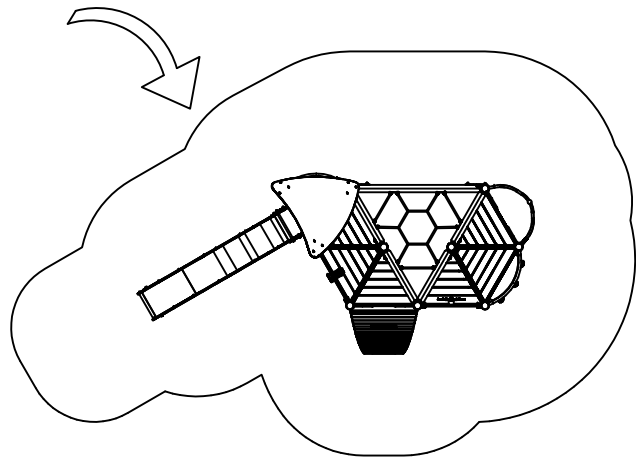
HAGS ANEBY, SWEDEN
+46(0)380-47300
www.hags.com

UniPlay Iktaz
MASW65007
5/9

LN JN 2018-02-14 0

STEP 4

[m]



42060742

x2

MASW36304

180°

42060740

x2

42272110

x2

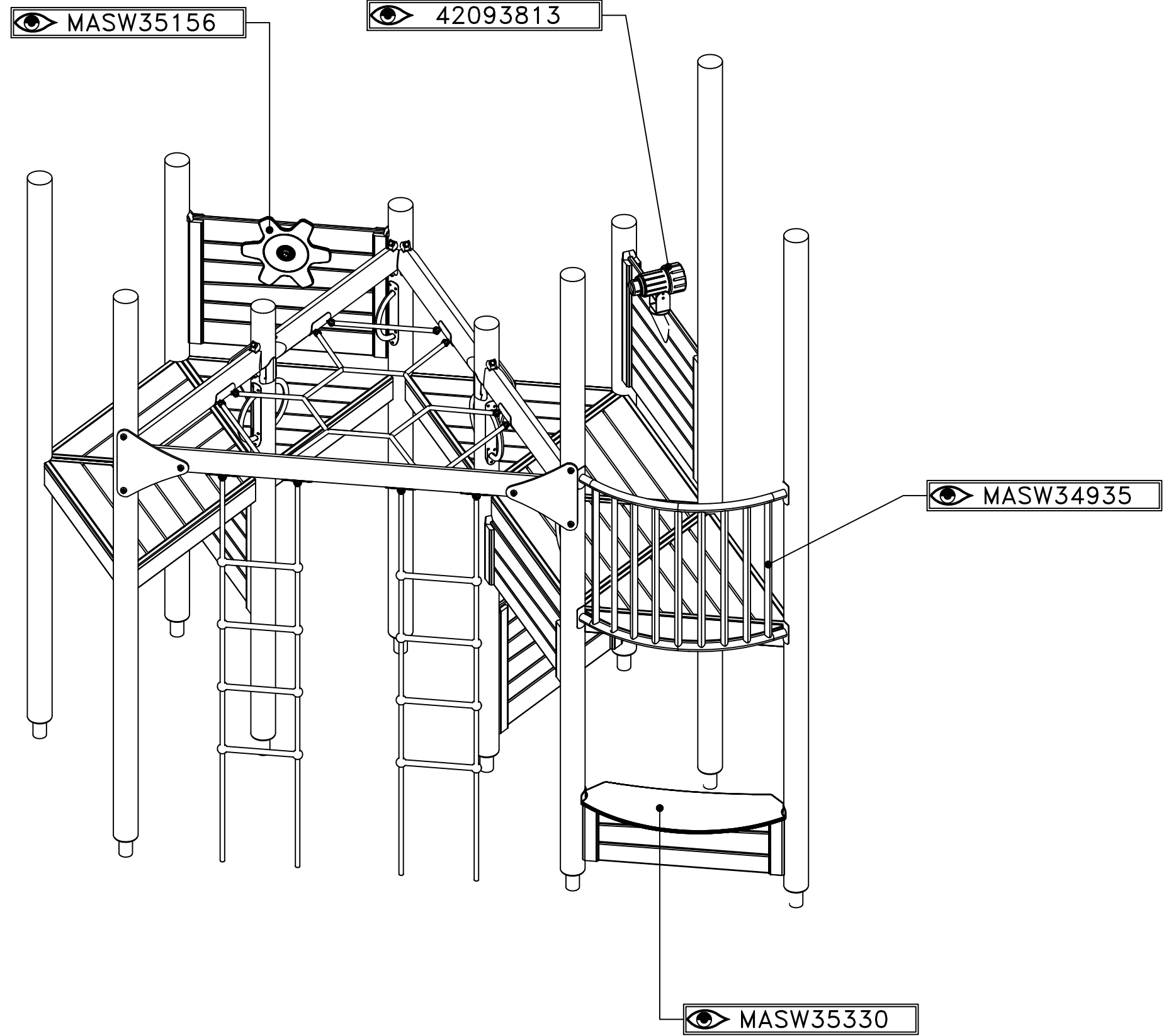
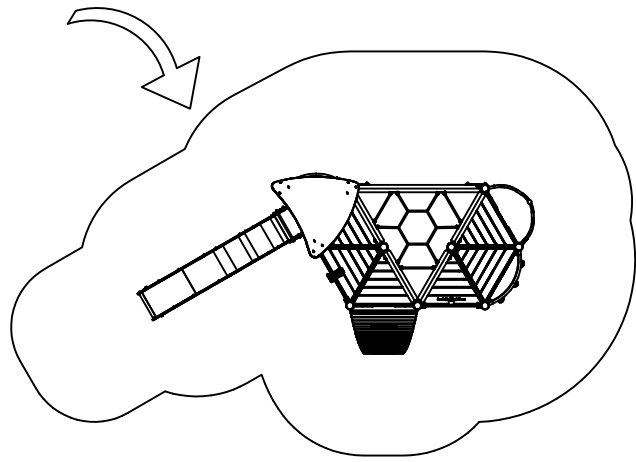
HAGS ANEBY, SWEDEN
+46(0)380-47300
www.hags.com

UniPlay Iktaz
MASW65007
6/9

LN JN 2018-02-14 0

STEP 5

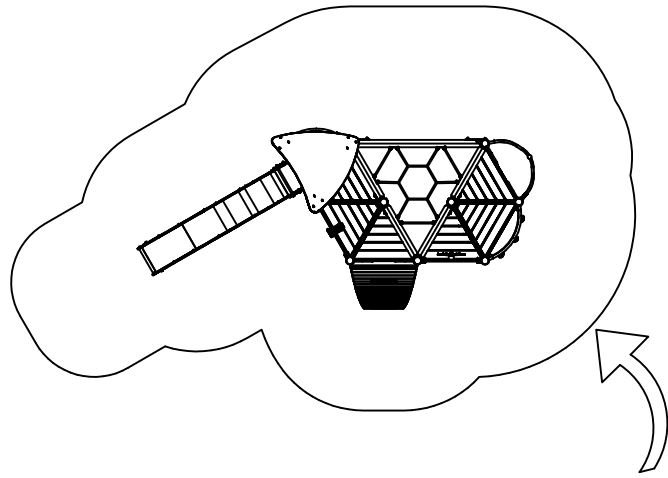
[m]



HAGS	ANEBY, SWEDEN +46(0)380-47300 www.hags.com
UniPlay Iktaz MASW65007 7/9	
LN	JN 2018-02-14 0

STEP 6

[m]



☞ MASW36714

□M

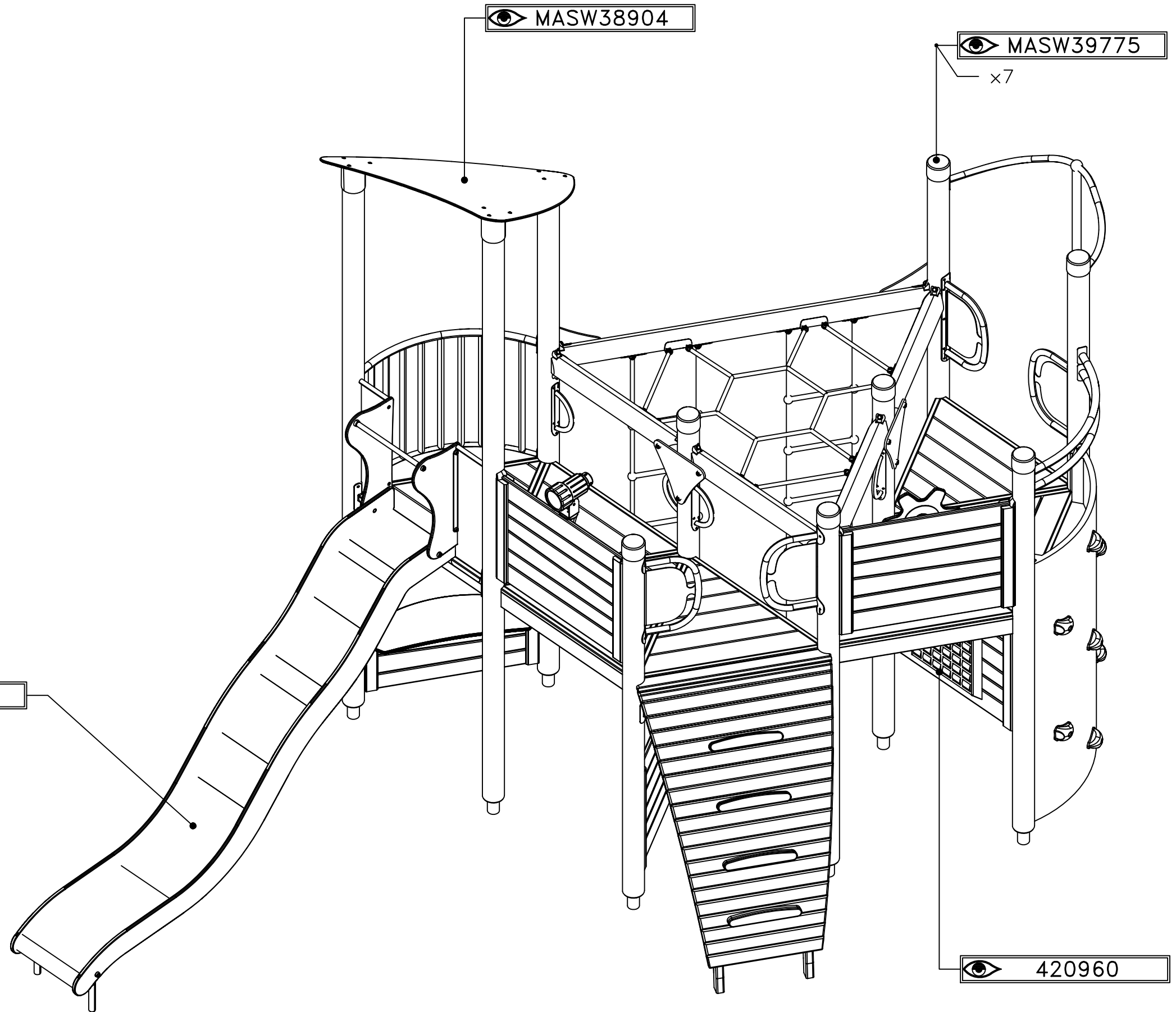
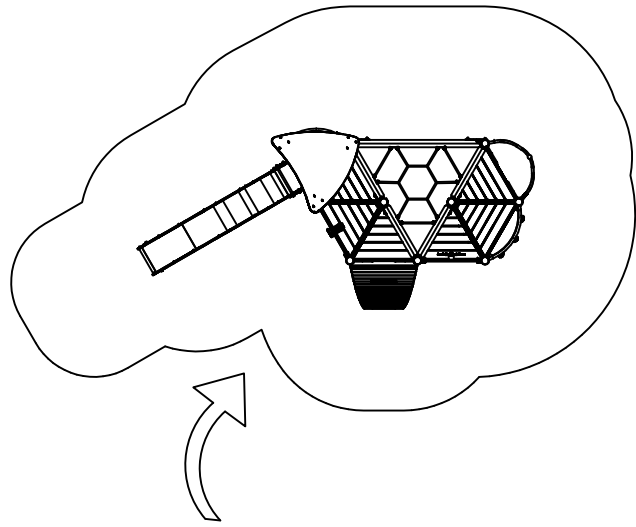
☞ 42277010

☞ MASW39686

HAGS		ANEBY, SWEDEN	
		+46(0)380-47300	
		www.hags.com	
UniPlay Iktaz			
MASW65007			
8/9			
🏠	LN	🔍	JN
2018-02-14		0	

STEP 7

[m]



HAGS	ANEBY, SWEDEN +46(0)380-47300 www.hags.com
UniPlay Iktaz MASW65007 9/9	
LN	JN 2018-02-14 0