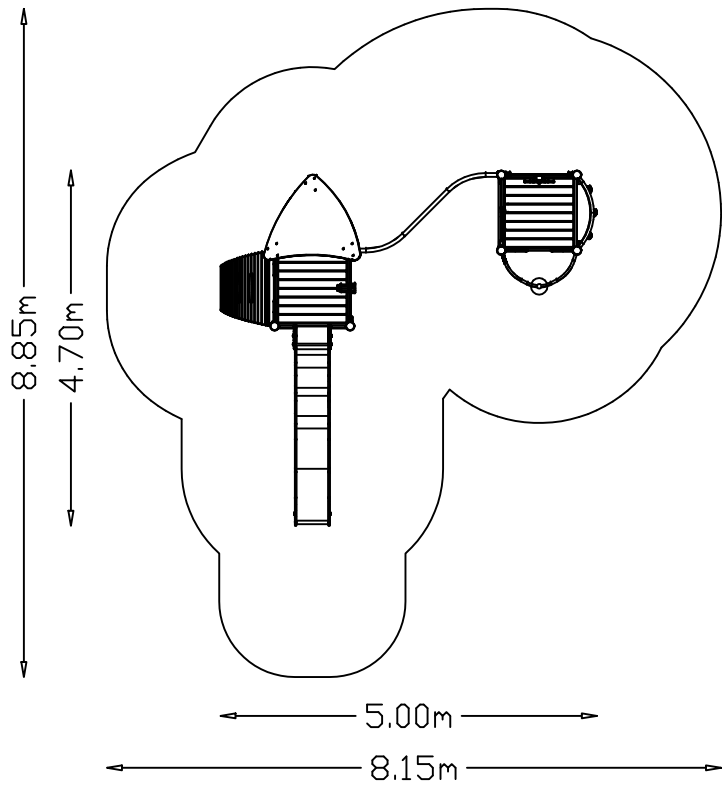


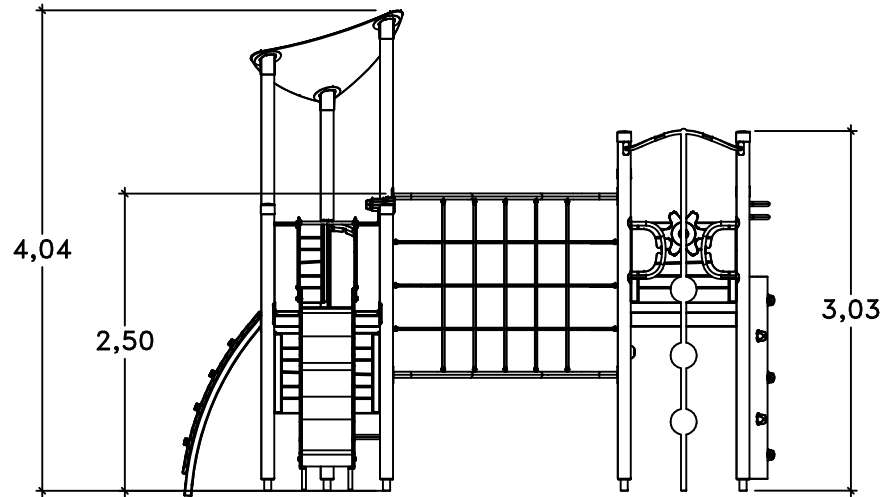
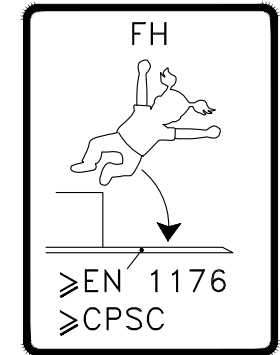
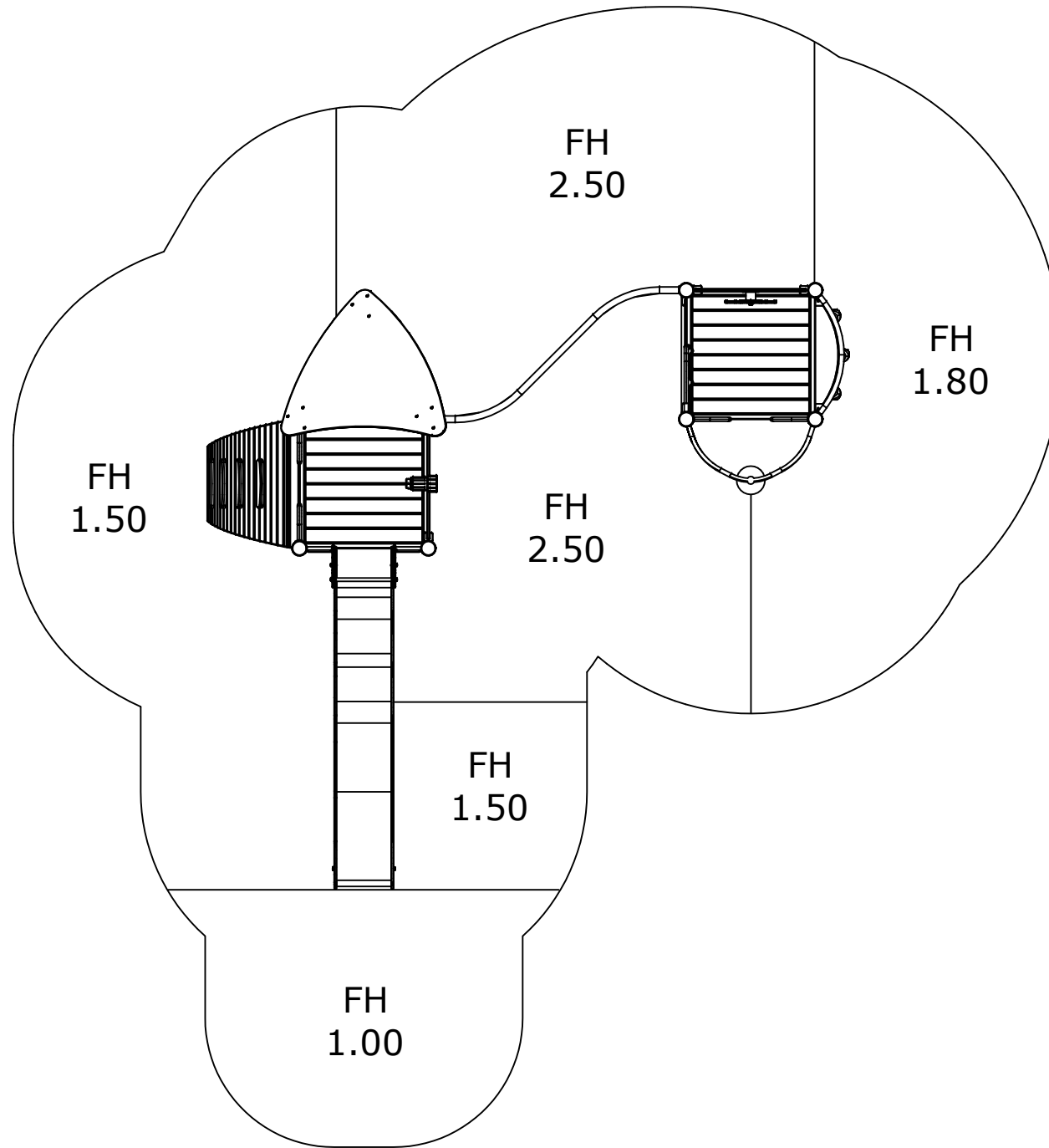
**UniPlay Aureli**

1,0m 5,0m

[m]



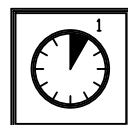
45 m<sup>2</sup>



**HAGS** ANEBY, SWEDEN  
+46(0)380-47300  
www.hags.com

UniPlay Aureli  
MASW65264  
1/6

LN LN 2022-11-16 1



29h



Varje vecka  
Every week  
Jede woche  
Chaque semaine

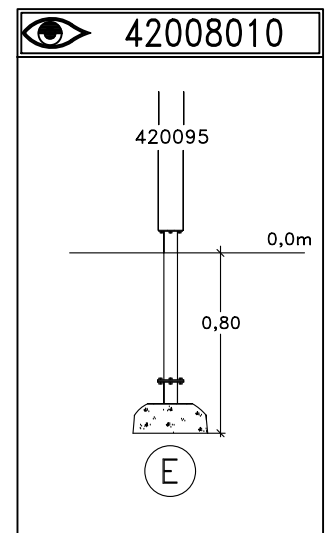
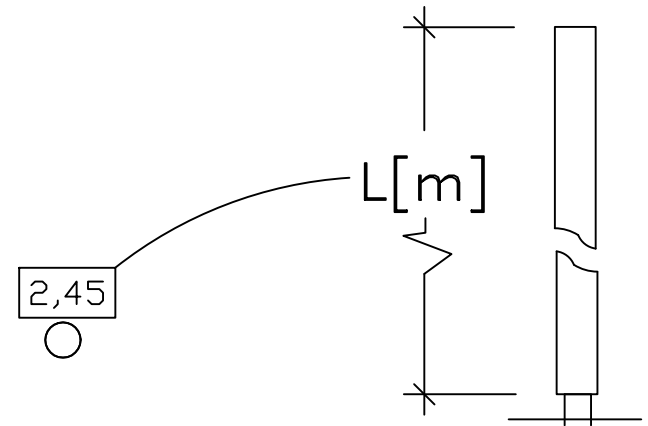
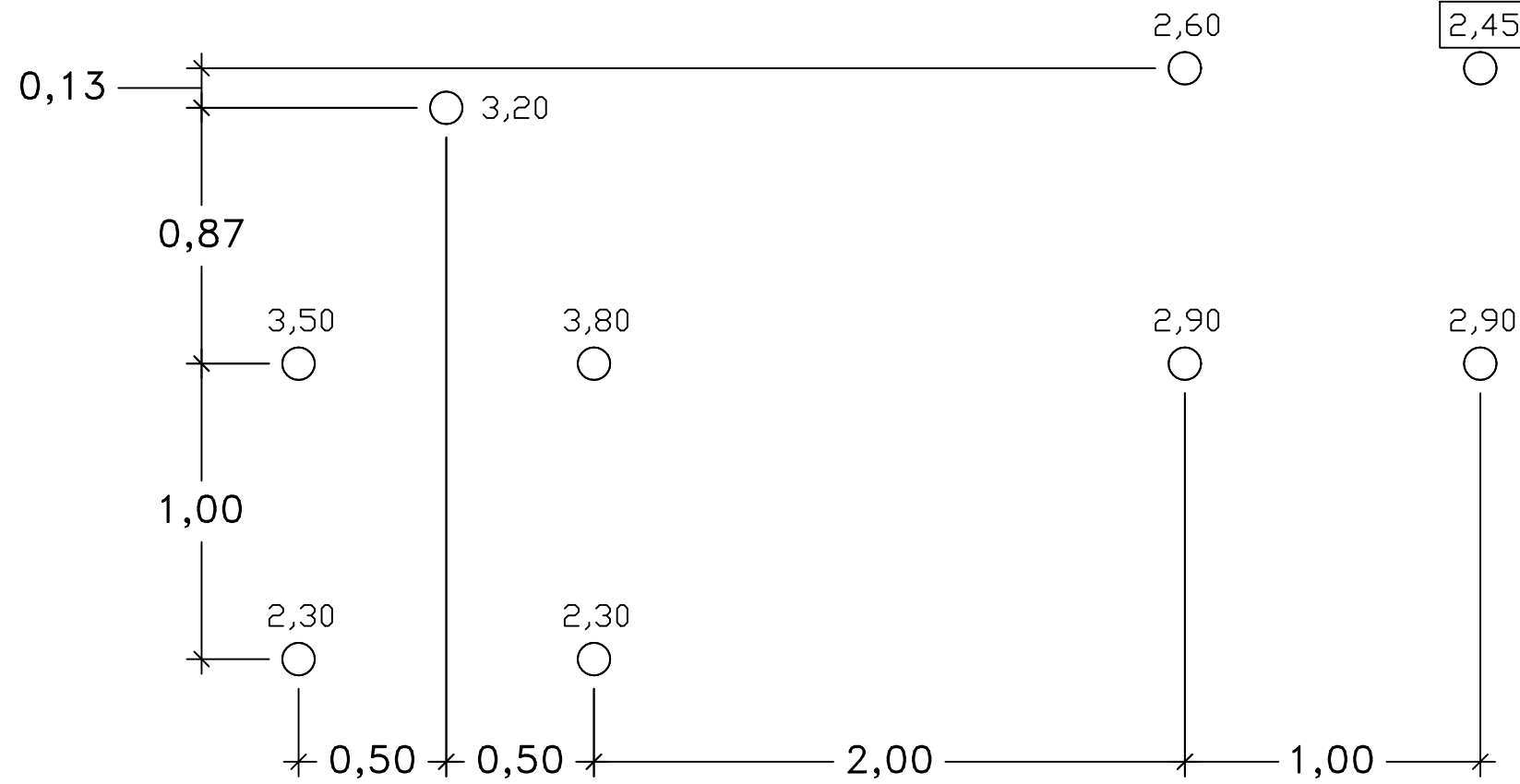
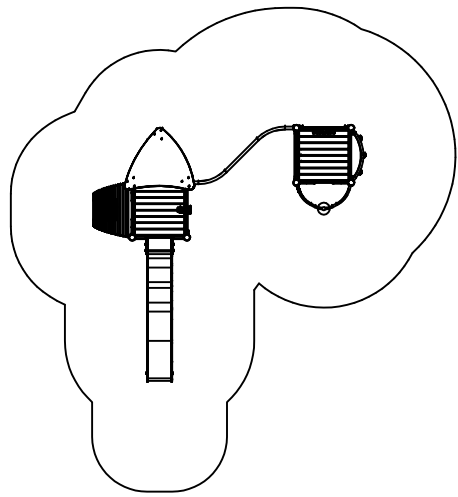


Varje säsong  
Every season  
Jedes Jahr  
Chaque saison



Step by Step UniPlay

SE 1(3)



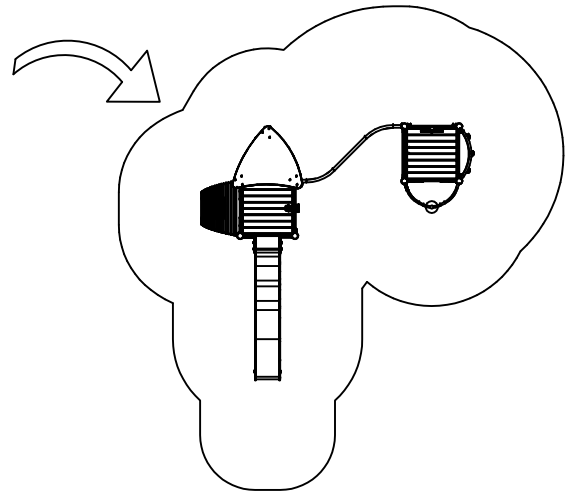
**HAGS** ANEBY, SWEDEN  
+46(0)380-47300  
www.hags.com


UniPlay Aureli  
MASW65264  
2/6

LN LN 2022-11-16 1

# STEP 1

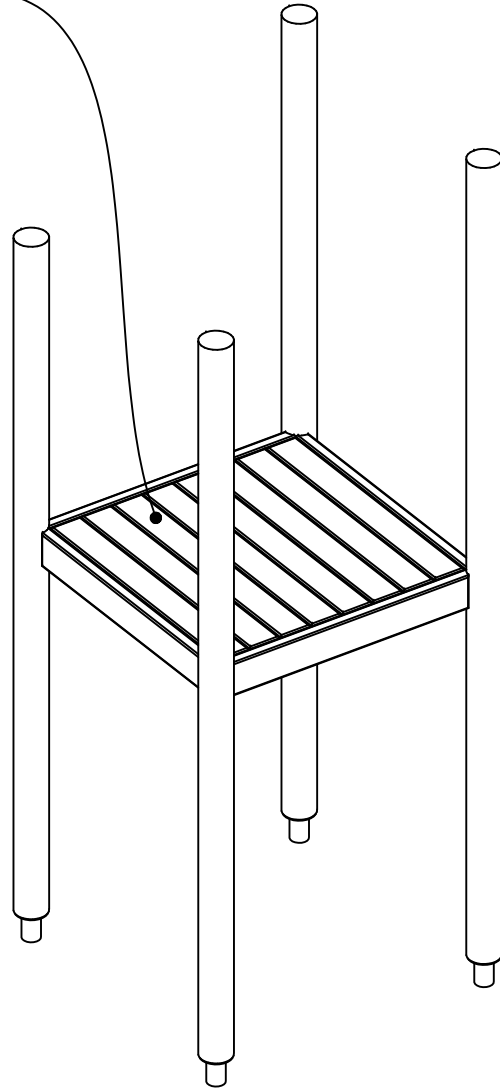
[m]



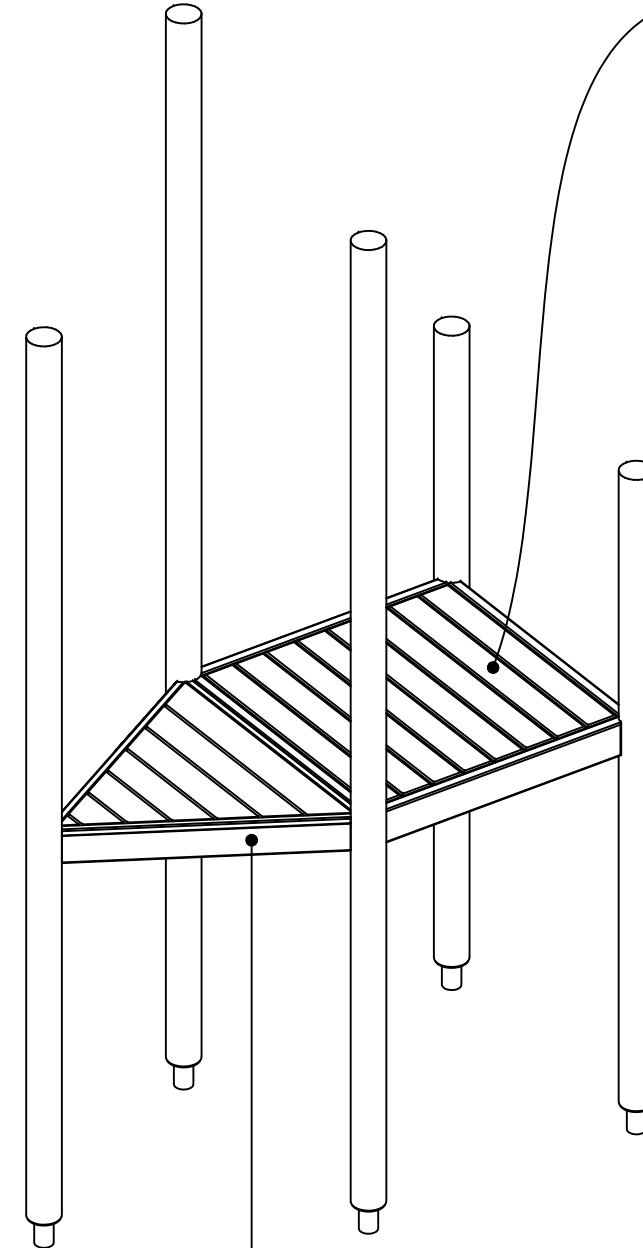
 426121


x2

+1,50



+1,50  
x2



 426162

**HAGS**

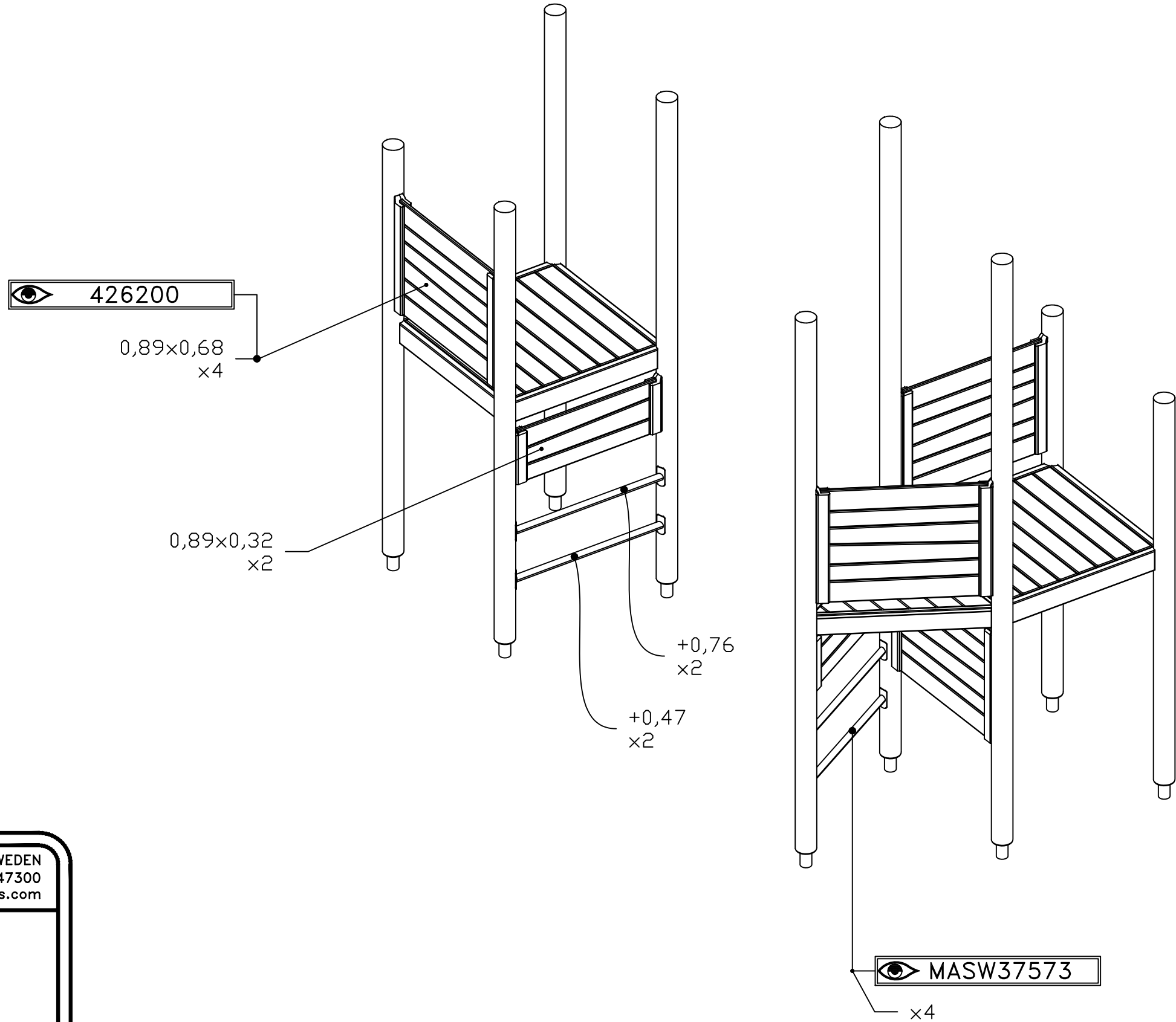
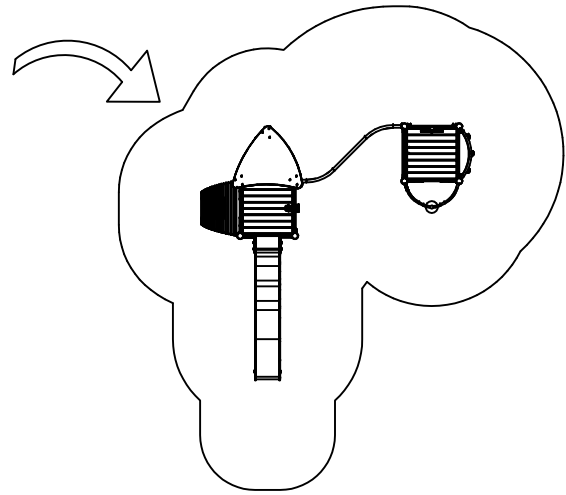
ANEBY, SWEDEN  
+46(0)380-47300  
www.hags.com

UniPlay Aureli  
MASW65264  
3/6

 LN  LN 2022-11-16 1

# STEP 2

[m]



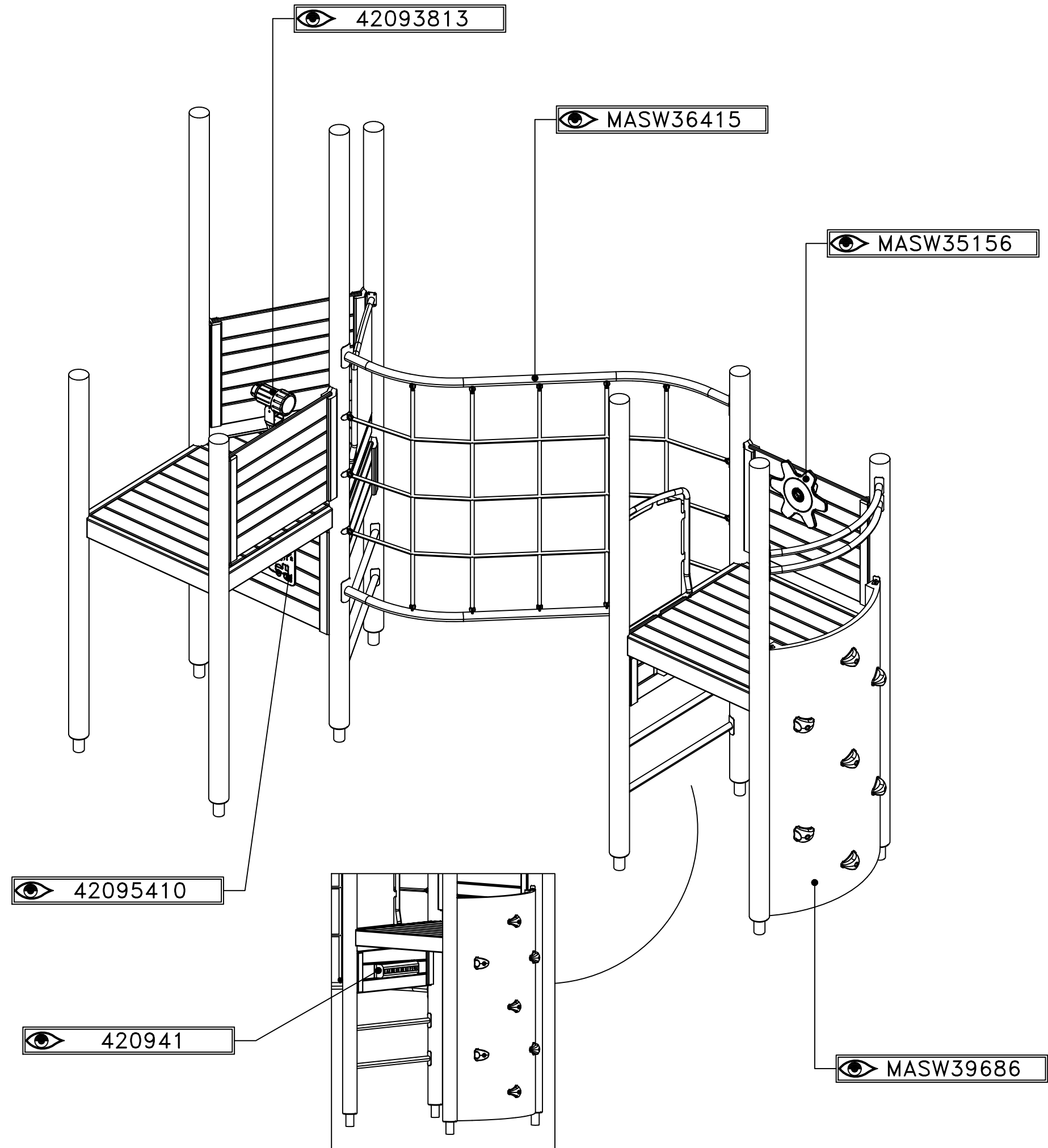
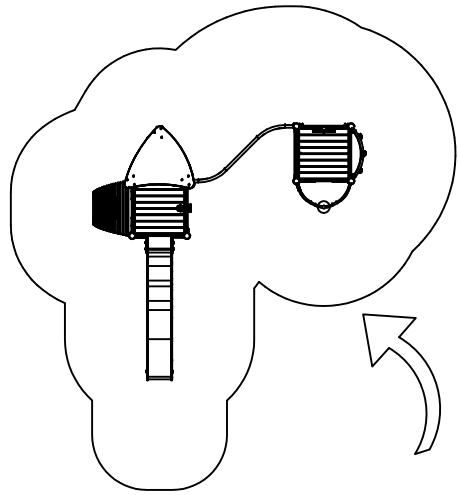
**HAGS** ANEBY, SWEDEN  
+46(0)380-47300  
www.hags.com

UniPlay Aureli  
MASW65264  
4/6

LN LN 2022-11-16 1

# STEP 3

[m]



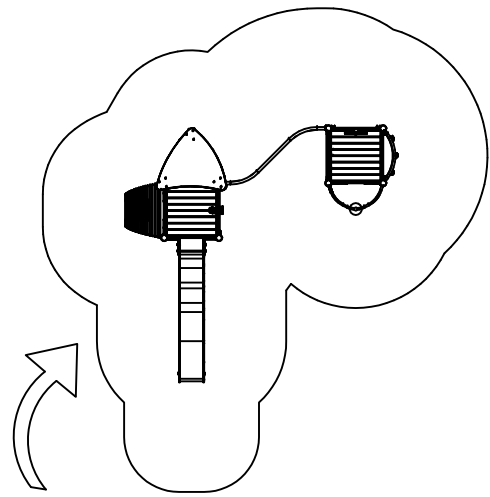
**HAGS** ANEBY, SWEDEN  
+46(0)380-47300  
www.hags.com

UniPlay Aureli  
MASW65264  
5/6

LN LN 2022-11-16 1

# STEP 4

[m]



MASW38904

MASW39775

x6

MASW36714

BM

MA42477151

424213

# HAGS

ANEBY, SWEDEN  
+46(0)380-47300  
www.hags.com

UniPlay Aureli  
MASW65264  
6/6

LN LN 2022-11-16 1