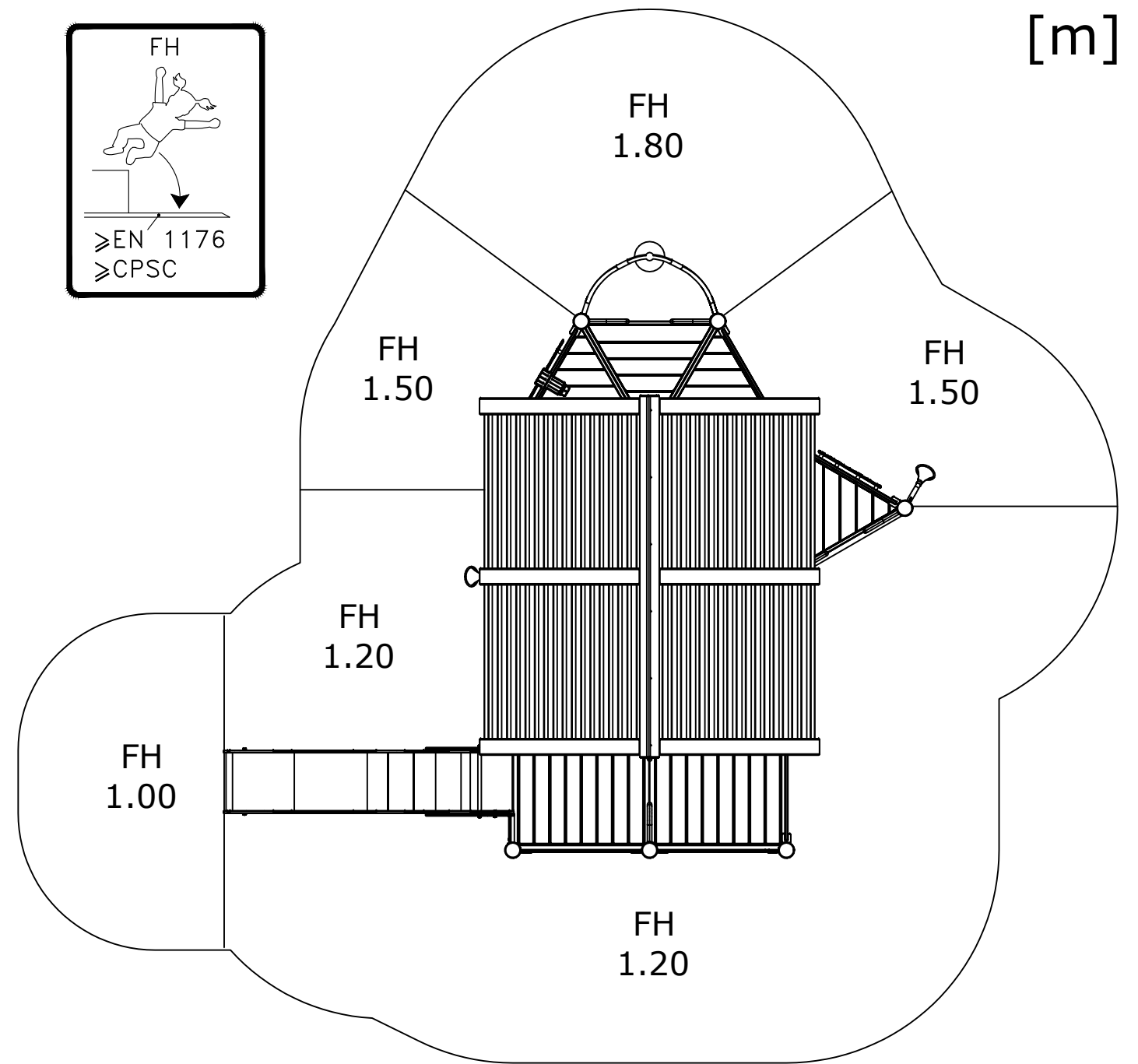
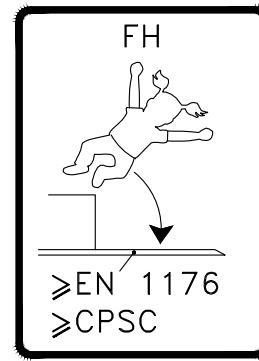
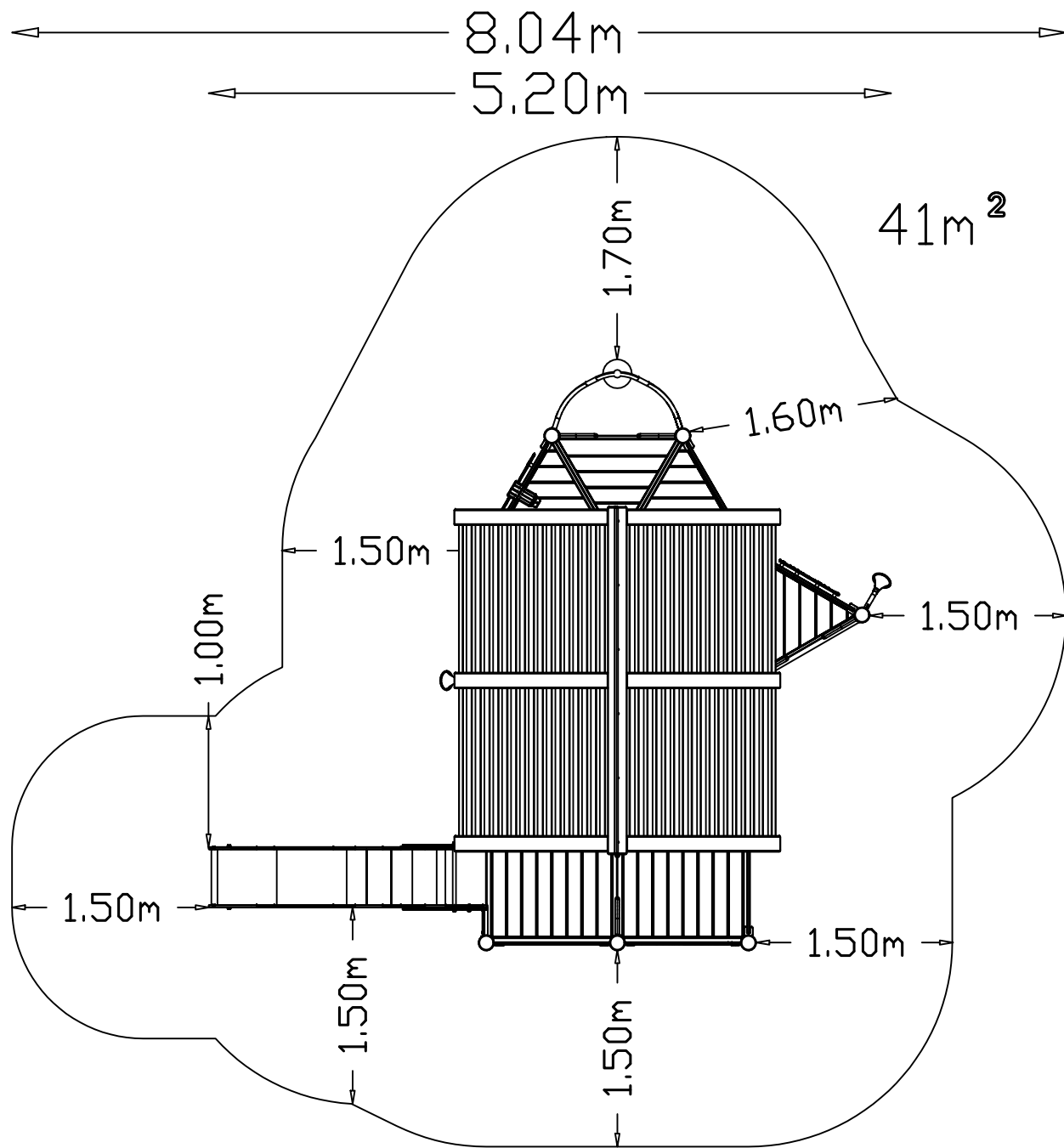


**UniPlay Sikkim**

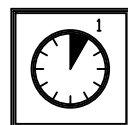


[m]

**HAGS** ANEBY, SWEDEN  
+46(0)380-47300  
www.hags.com

UniPlay Sikkim  
MASW65099  
1/8

JW JW 2023-06-12 1



59h



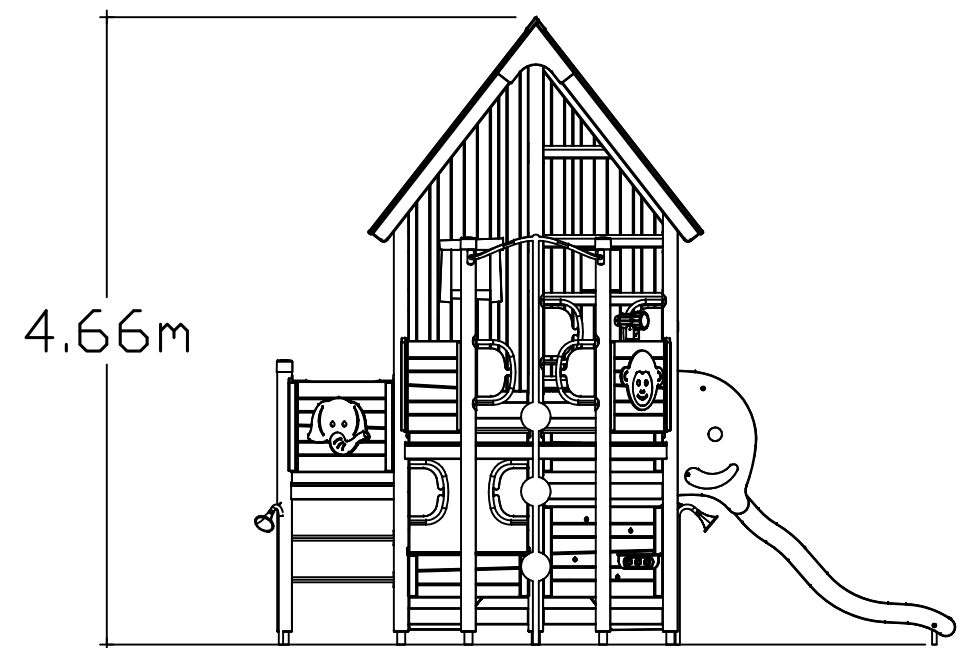
Varje vecka  
Every week  
Jede woche  
Chaque semaine

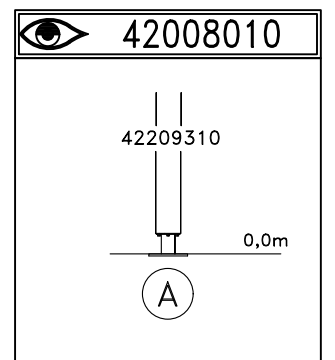
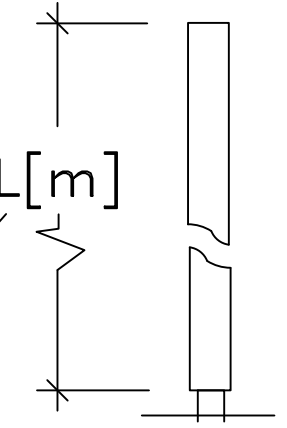
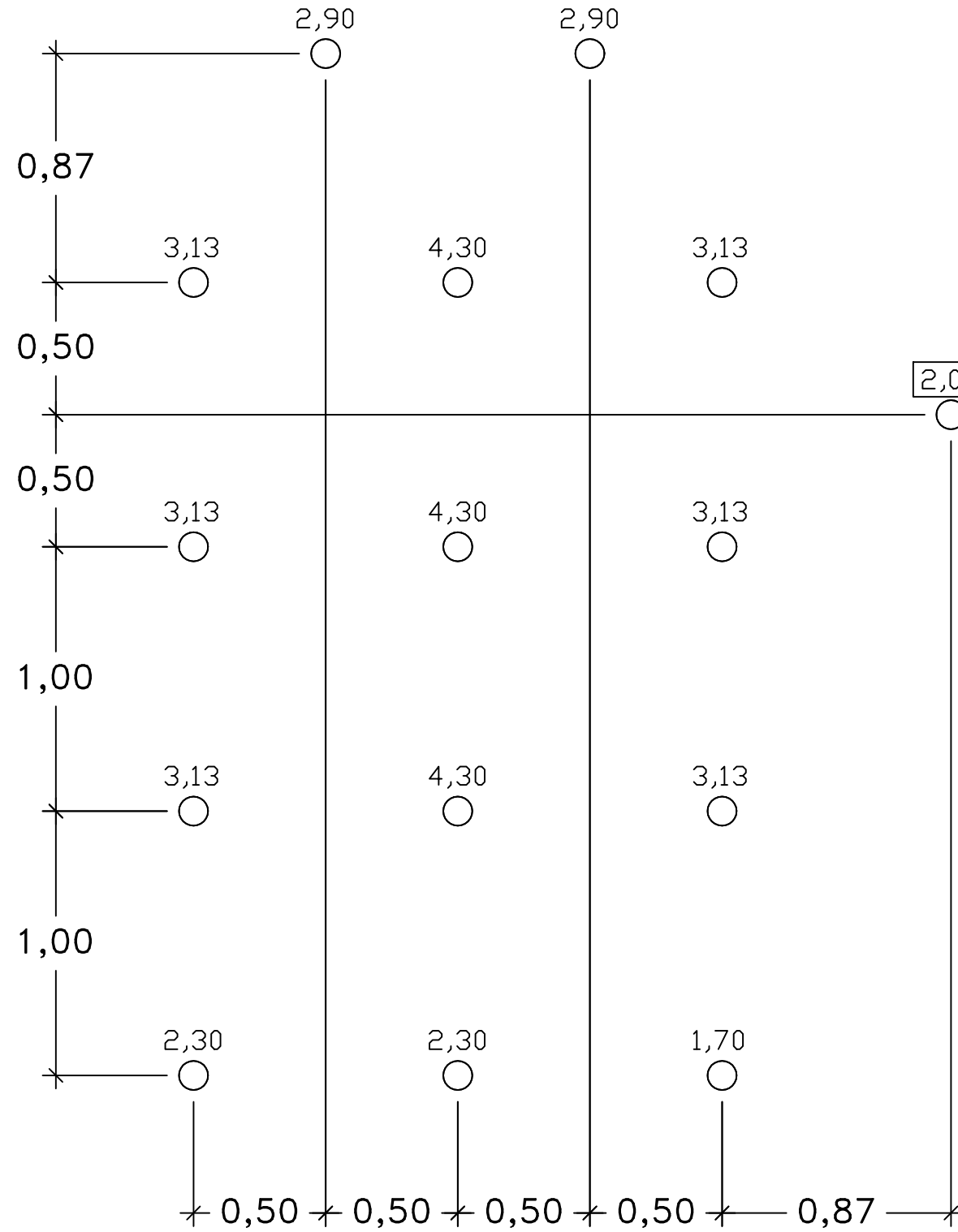
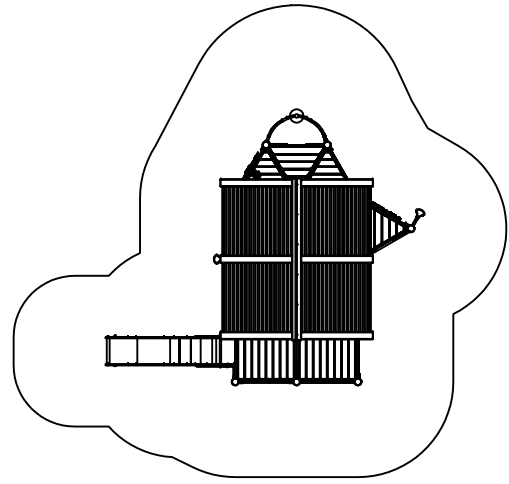


Varje säsong  
Every season  
Jedes Jahr  
Chaque saison



Step by Step UniPlay





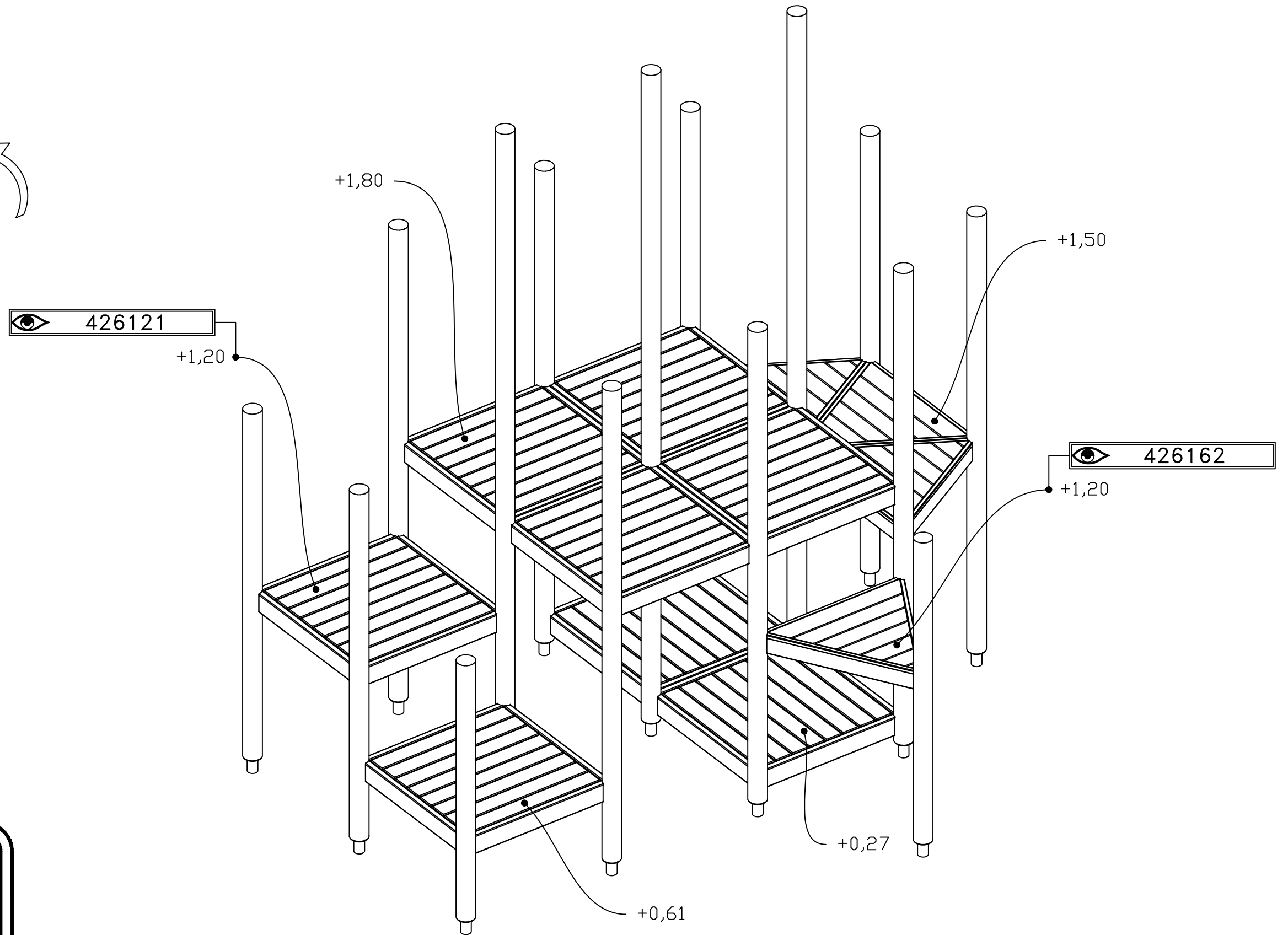
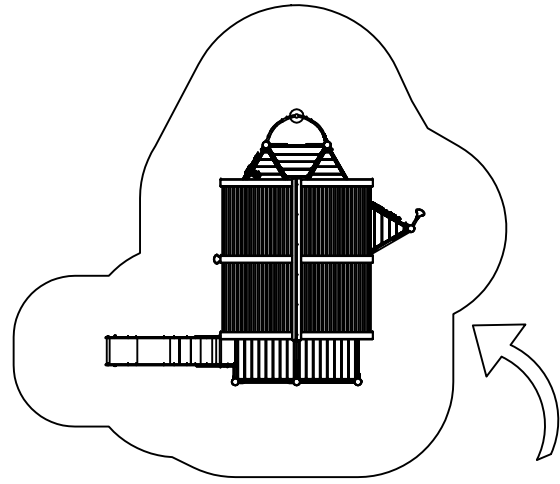
**HAGS** ANEBY, SWEDEN  
+46(0)380-47300  
www.hags.com

UniPlay Sikkim  
MASW65099  
2/8

JW JW 2023-06-12 1

# STEP 1

[m]



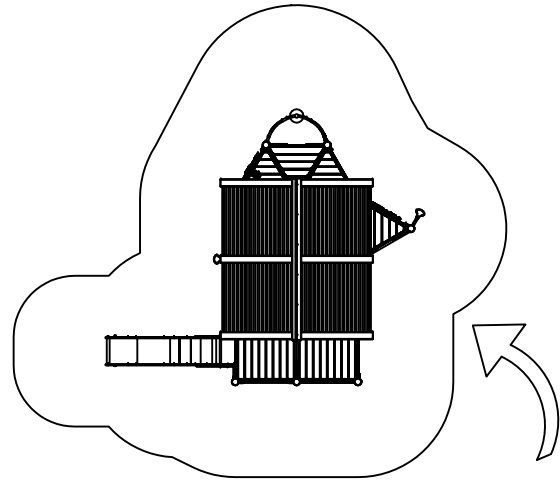
**HAGS** ANEBY, SWEDEN  
+46(0)380-47300  
www.hags.com

UniPlay Sikkim  
MASW65099  
3/8

JW JW 2023-06-12 1

# STEP 2

[m]



MA420994

x10

MASW37573

x7

+1,61  
x2

90°

+0,72

+0,50

+0,81

+0,23

+1,31

## HAGS

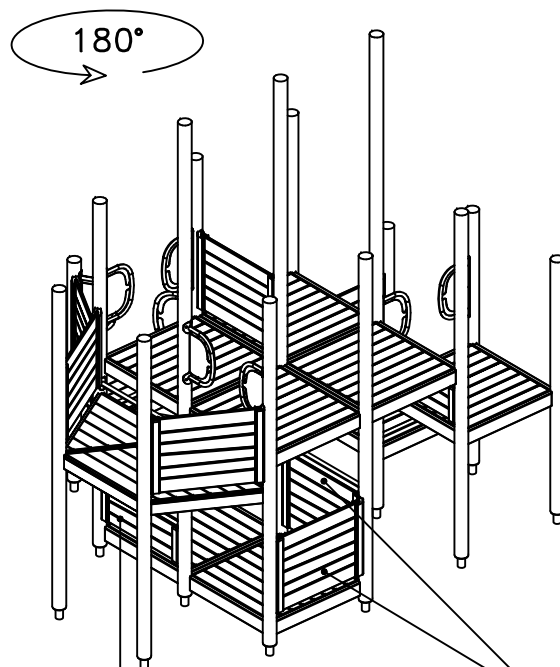
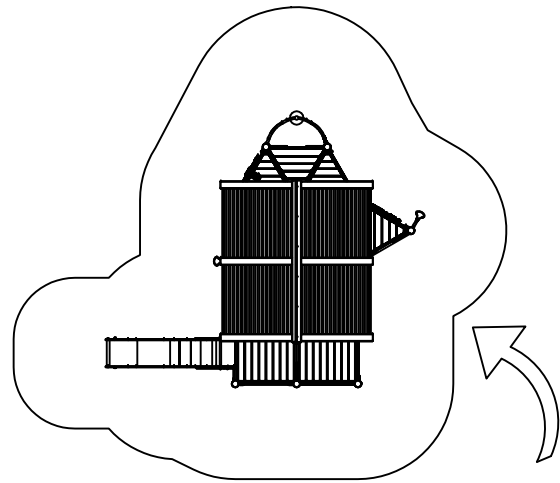
ANEBY, SWEDEN  
+46(0)380-47300  
www.hags.com

UniPlay Sikkim  
MASW65099  
4/8

JW JW 2023-06-12 1

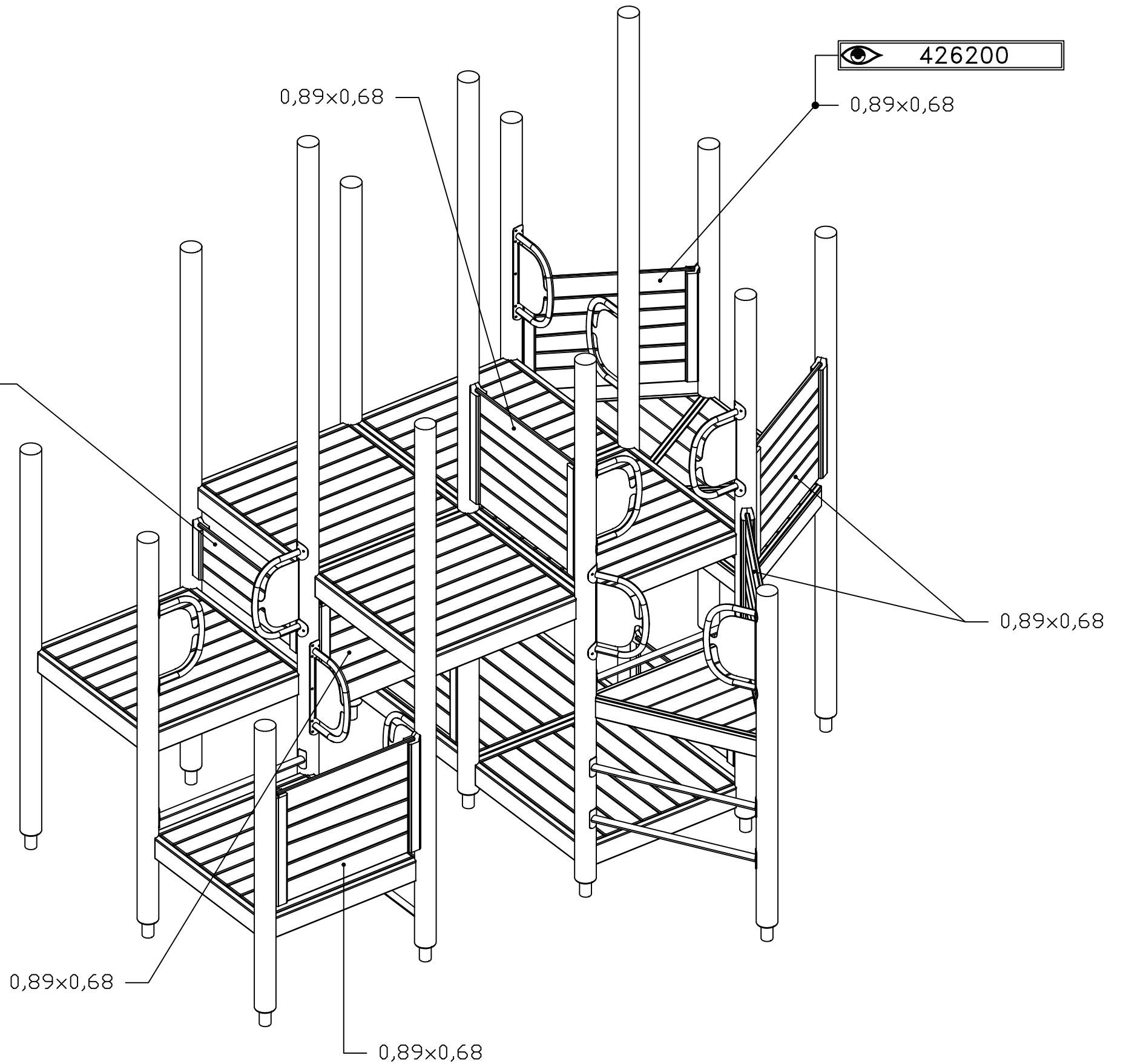
# STEP 3

[m]



0,89x0,32

0,89x0,68



426200

0,89x0,68

0,89x0,68

0,89x0,68

0,89x0,68

0,89x0,68

0,89x0,68

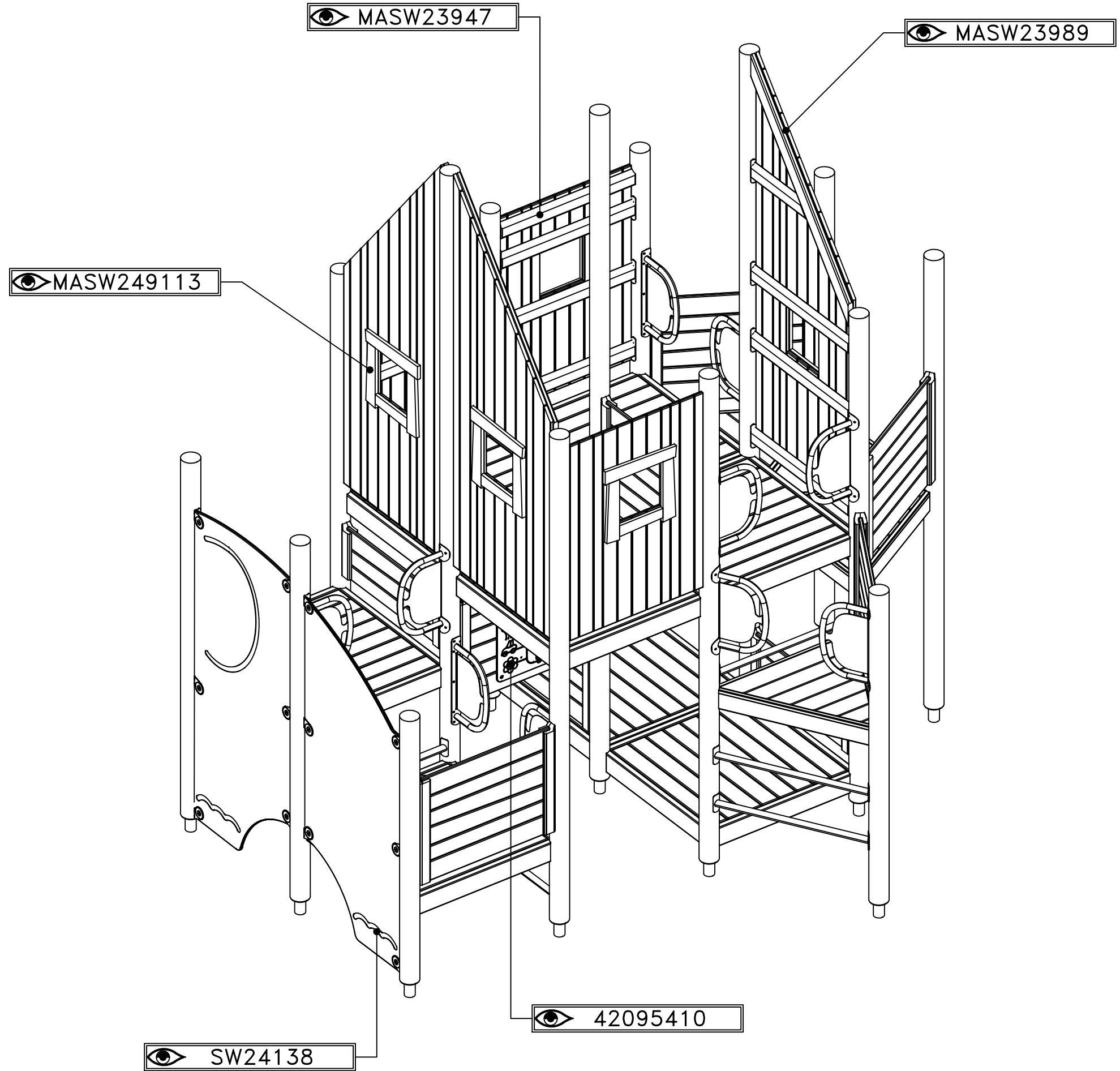
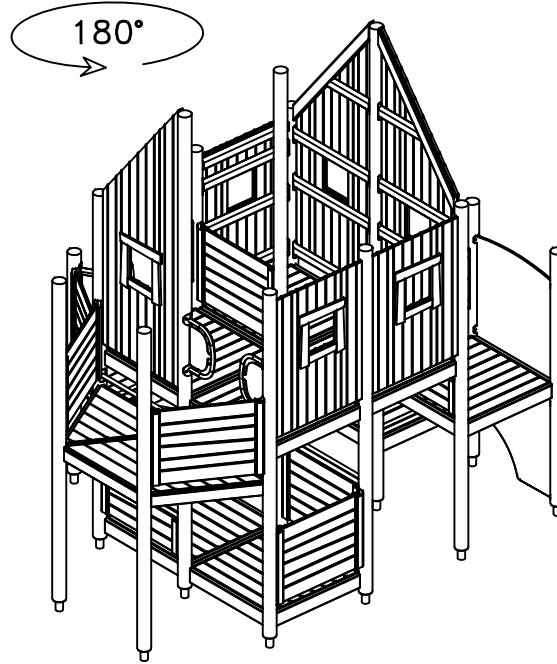
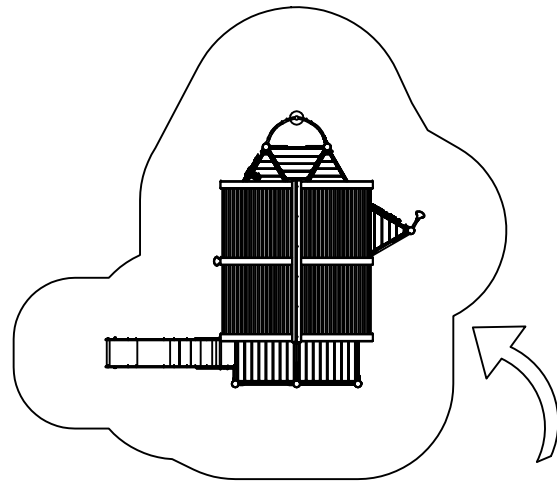
**HAGS** ANEBY, SWEDEN  
+46(0)380-47300  
www.hags.com

UniPlay Sikkim  
MASW65099  
5/8

JW JW 2023-06-12 1

# STEP 4

[m]



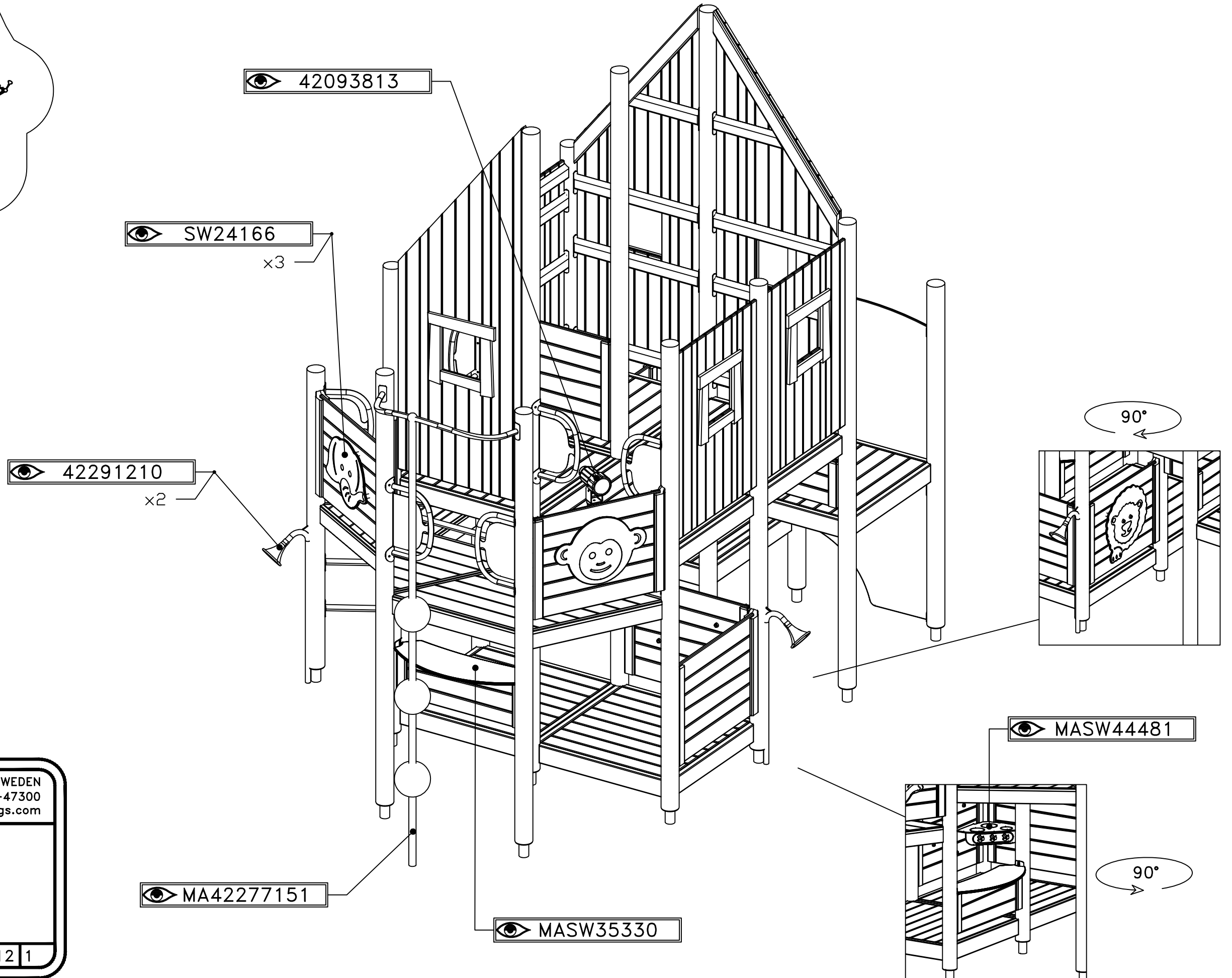
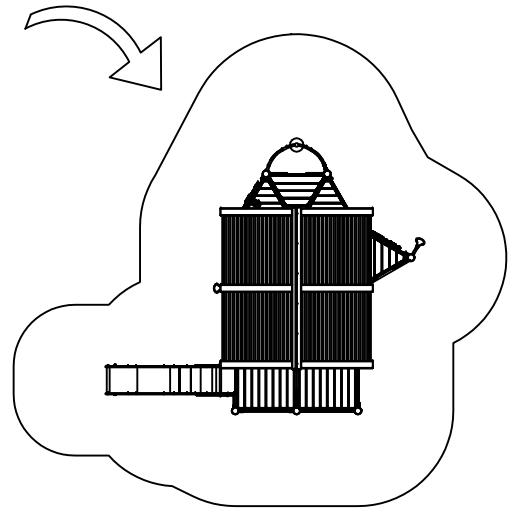
**HAGS** ANEBY, SWEDEN  
+46(0)380-47300  
www.hags.com

UniPlay Sikkim  
MASW65099  
6/8

JW JW 2023-06-12 1

# STEP 5

[m]



**HAGS** ANEBY, SWEDEN  
+46(0)380-47300  
www.hags.com

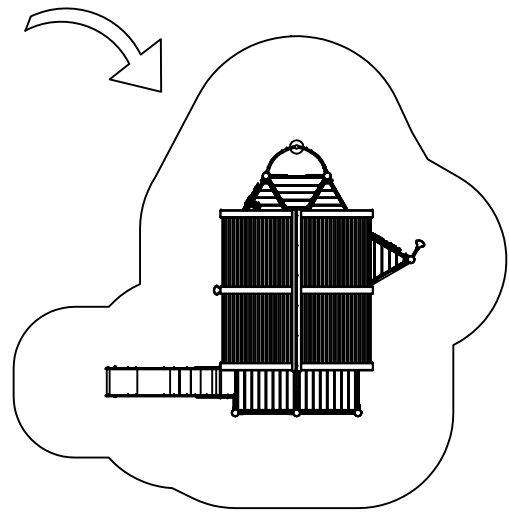
UniPlay Sikkim  
MASW65099  
7/8

JW JW 2023-06-12 1



# STEP 6

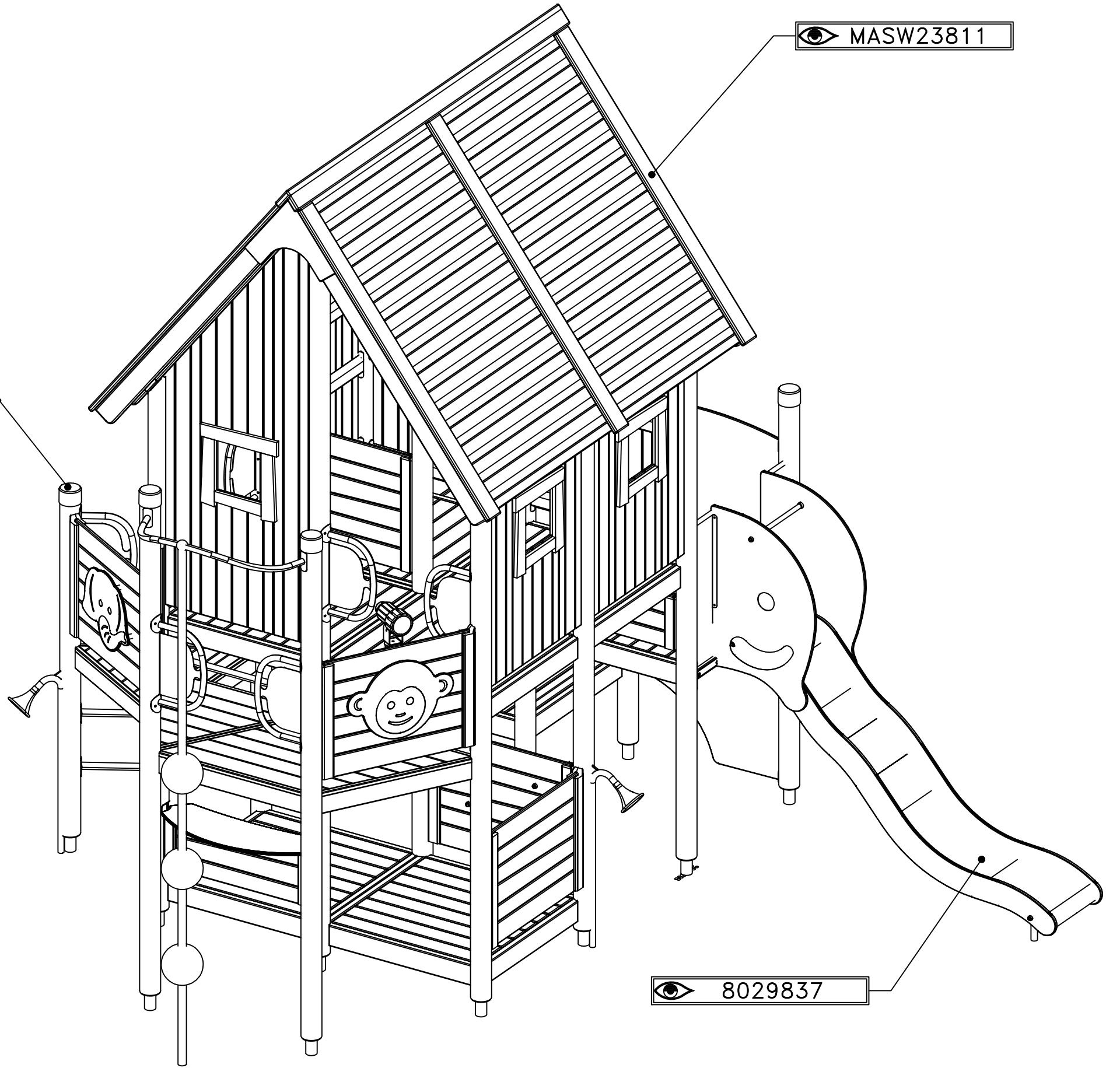
[m]



👁 MASW39775

x6

👁 MASW23811



👁 8029837

## HAGS

ANEBY, SWEDEN  
+46(0)380-47300  
www.hags.com

UniPlay Sikkim  
MASW65099  
8 / 8