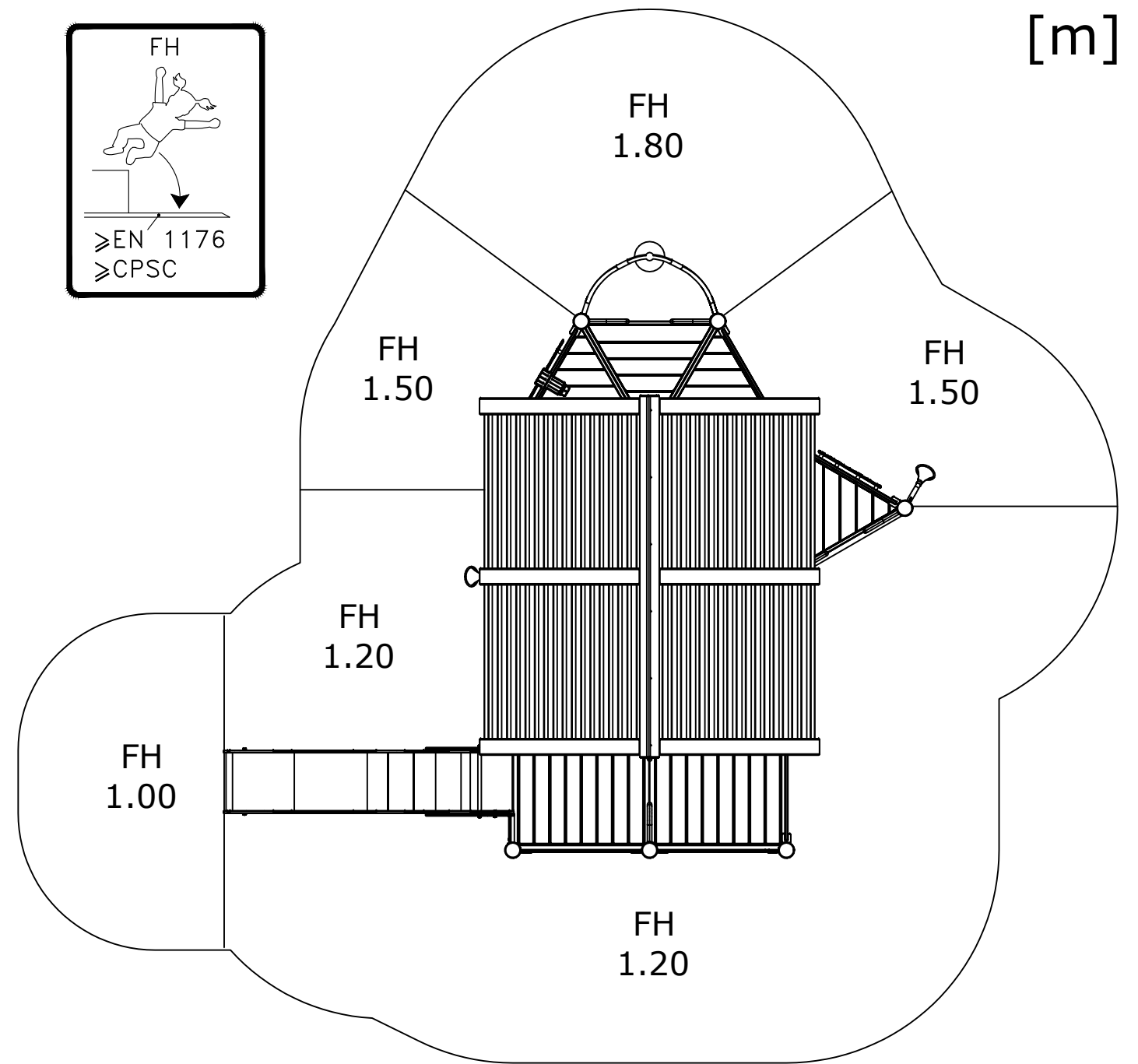
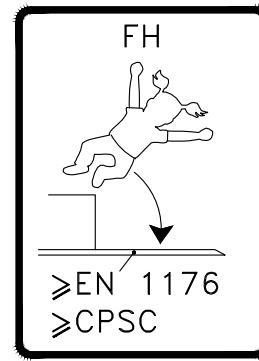
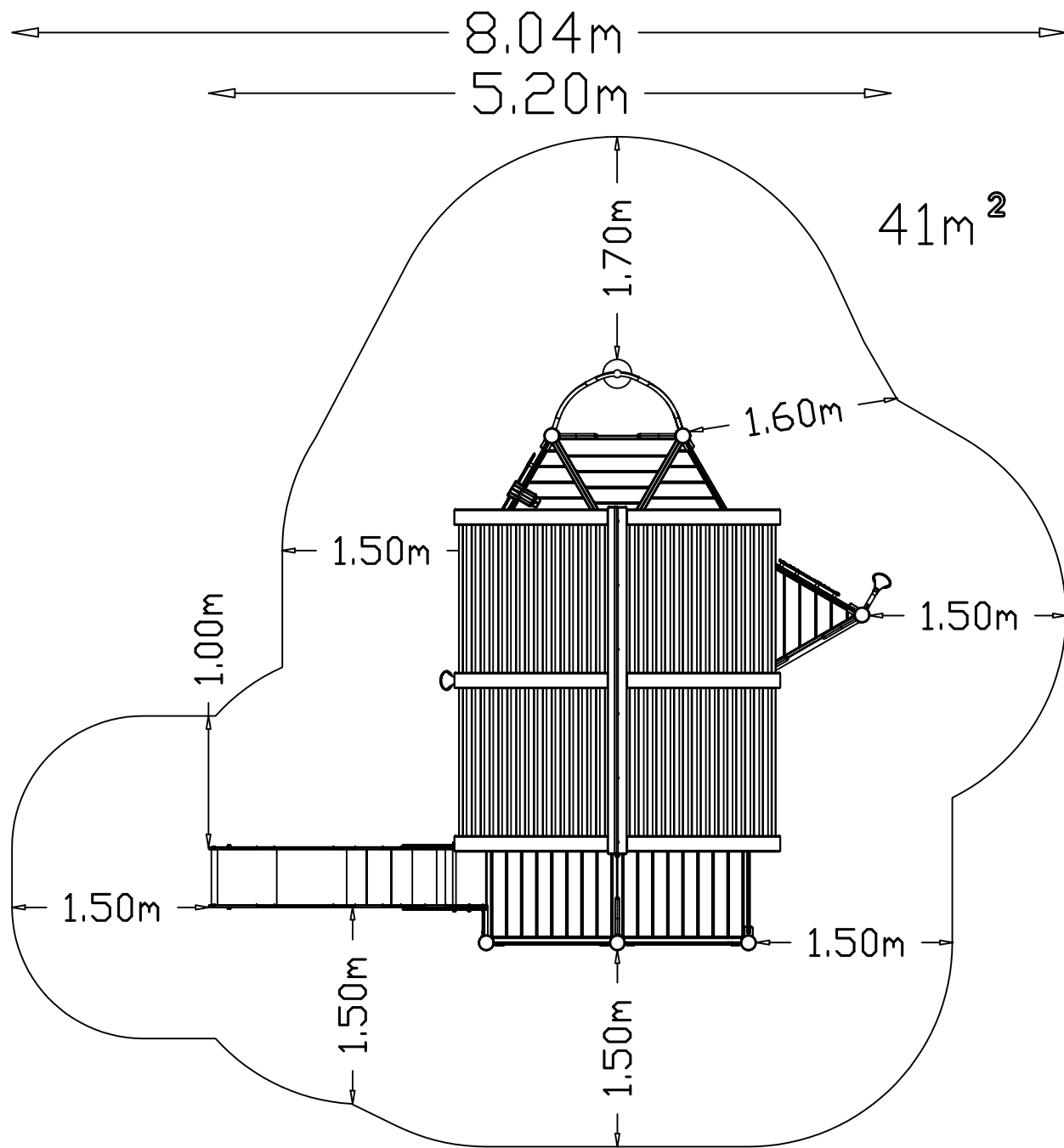


UniPlay Sikkim

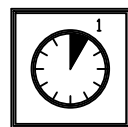


[m]

HAGS ANEBY, SWEDEN
+46(0)380-47300
www.hags.com

UniPlay Sikkim
MASW65097
1/8

JW JW 2023-06-12 1



59h



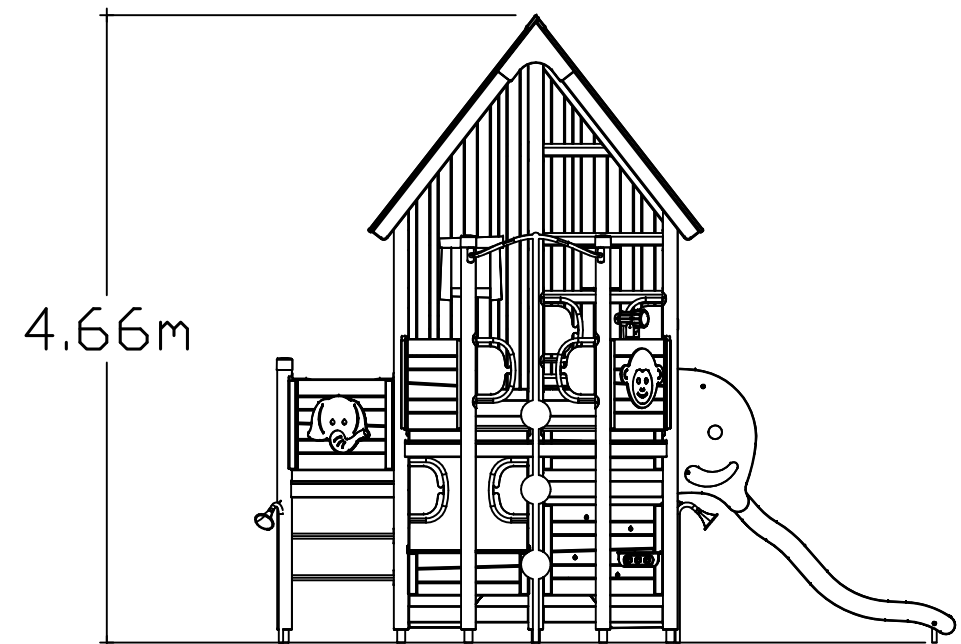
Varje vecka
Every week
Jede woche
Chaque semaine



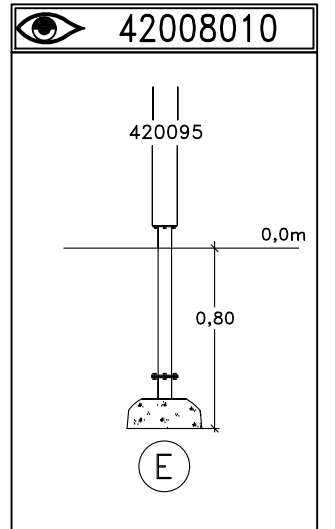
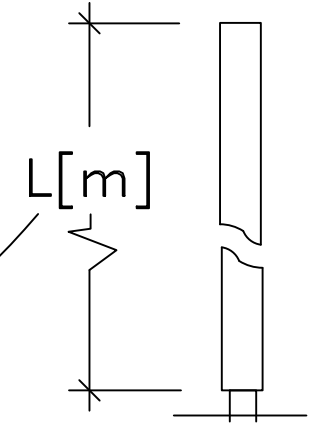
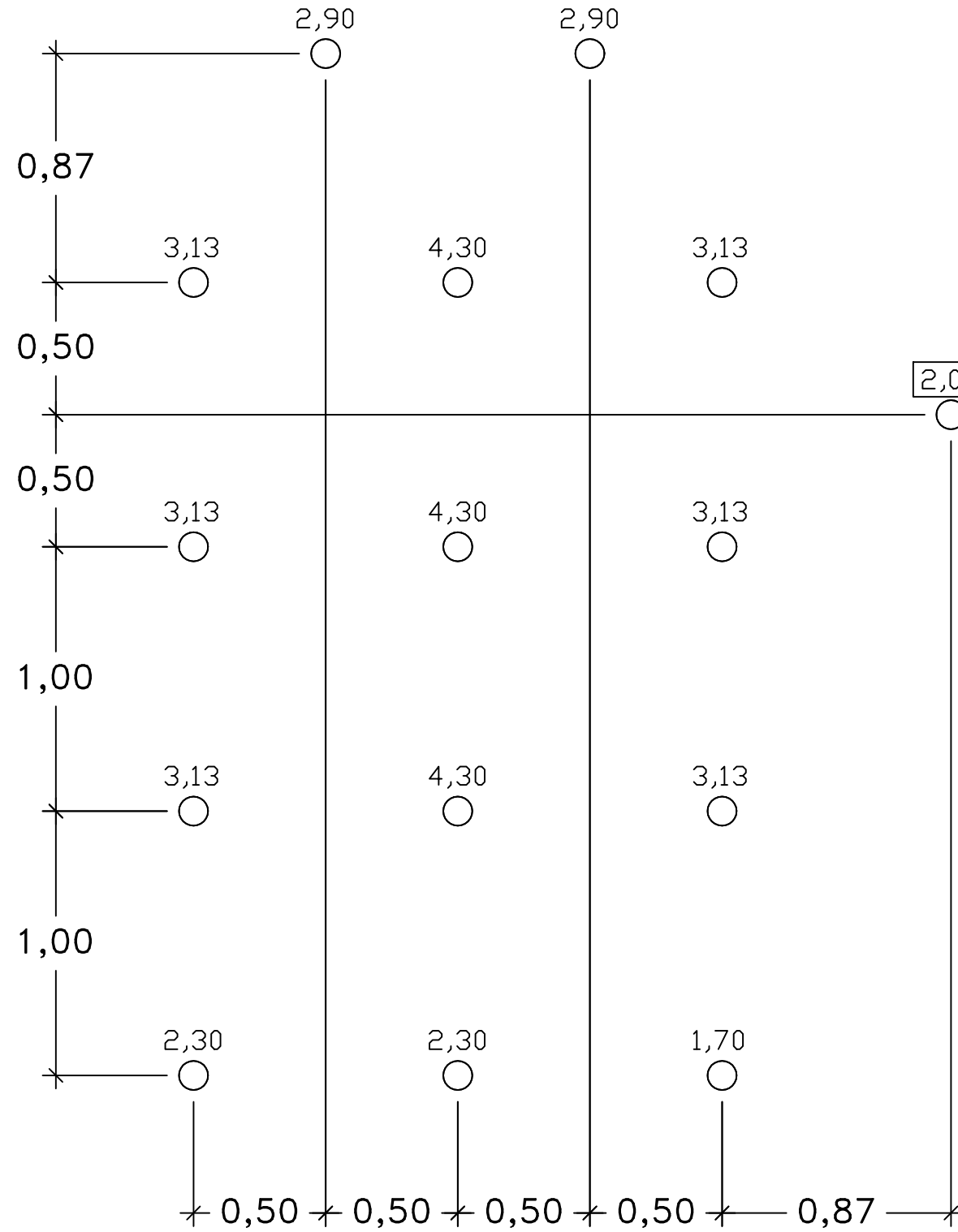
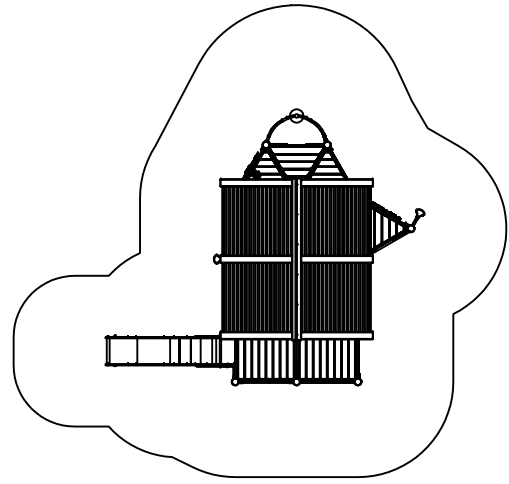
Varje säsong
Every season
Jedes Jahr
Chaque saison



Step by Step UniPlay



[m]



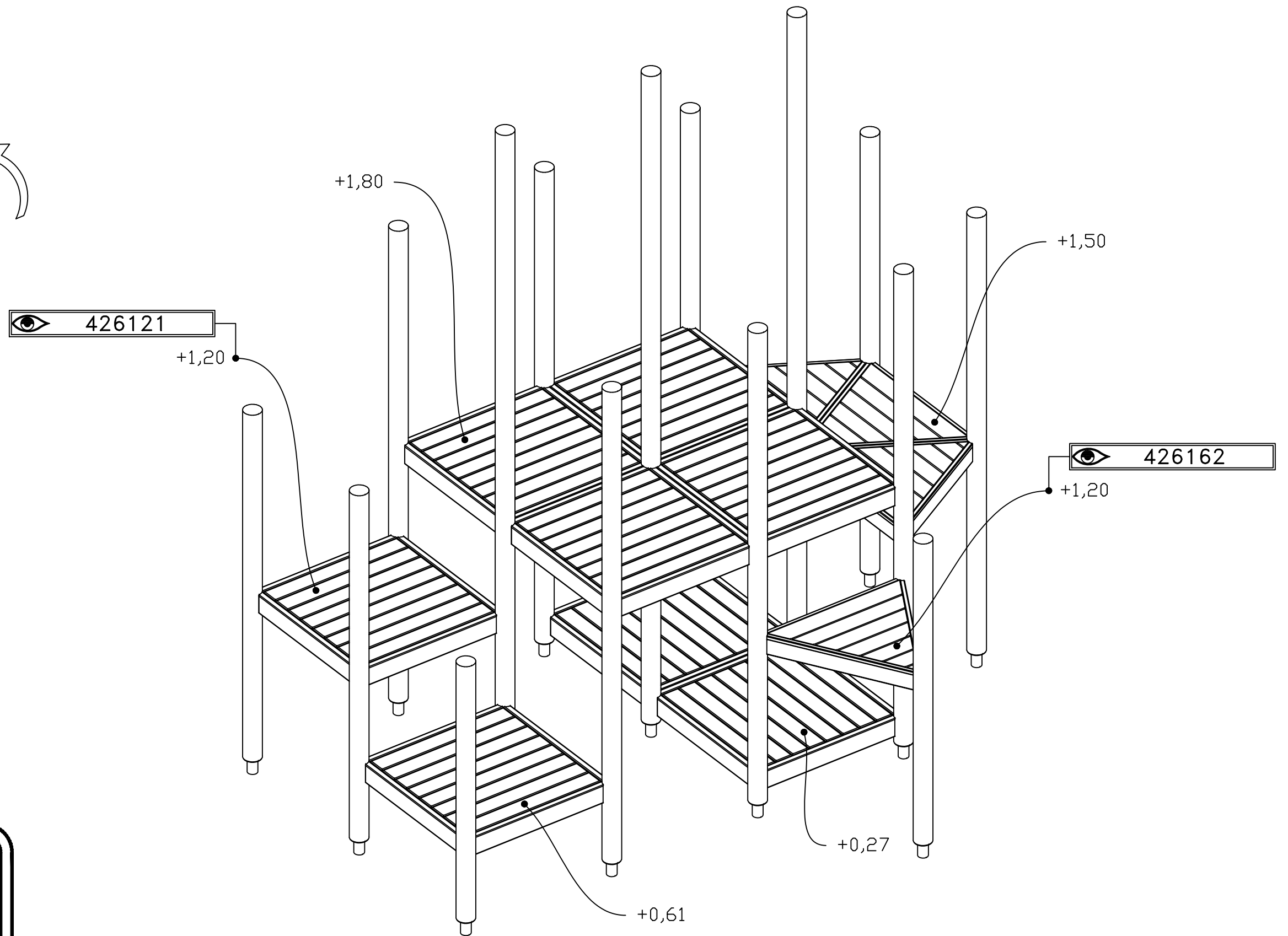
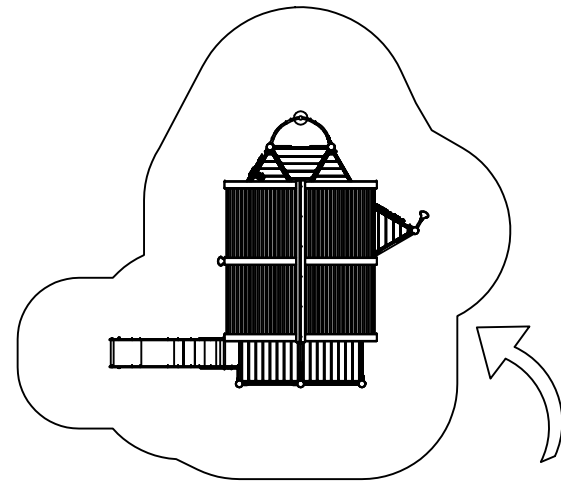
HAGS ANEBY, SWEDEN
+46(0)380-47300
www.hags.com

UniPlay Sikkim
MASW65097
2/8

JW JW 2023-06-12 1

STEP 1

[m]



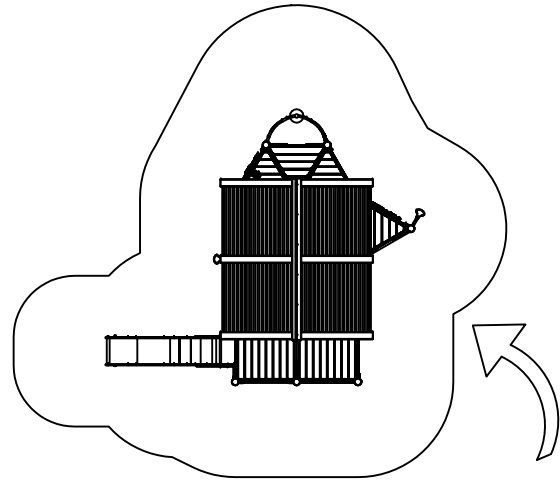
HAGS ANEBY, SWEDEN
+46(0)380-47300
www.hags.com

UniPlay Sikkim
MASW65097
3/8

🏠 JW 🔍 👁️ JW 2023-06-12 1

STEP 2

[m]



MA420994

x10

MASW37573

x7

+1,31

+1,61
x2

90°

+0,72

+0,50

+0,81

+0,23

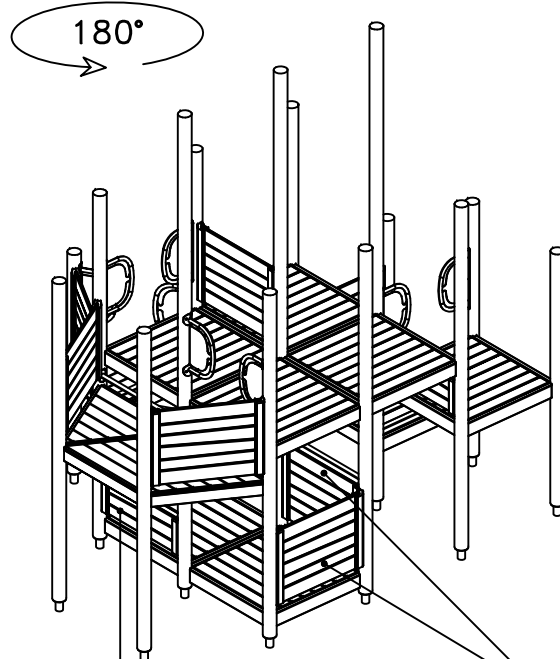
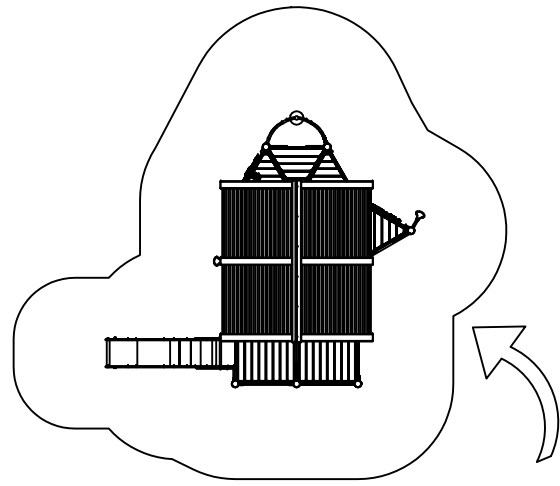
HAGS ANEBY, SWEDEN
+46(0)380-47300
www.hags.com

UniPlay Sikkim
MASW65097
4/8

JW JW 2023-06-12 1

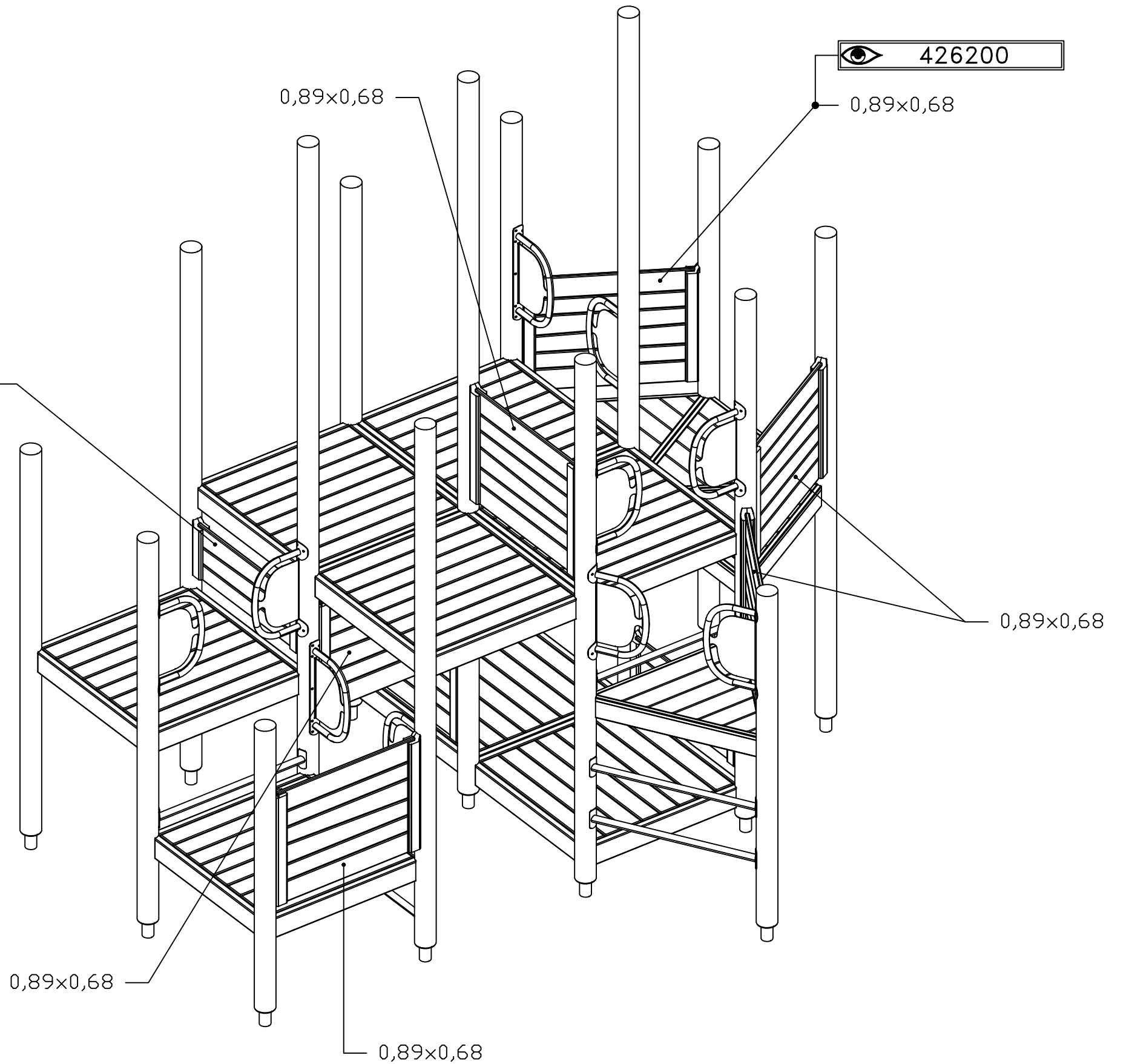
STEP 3

[m]



0,89x0,32

0,89x0,68



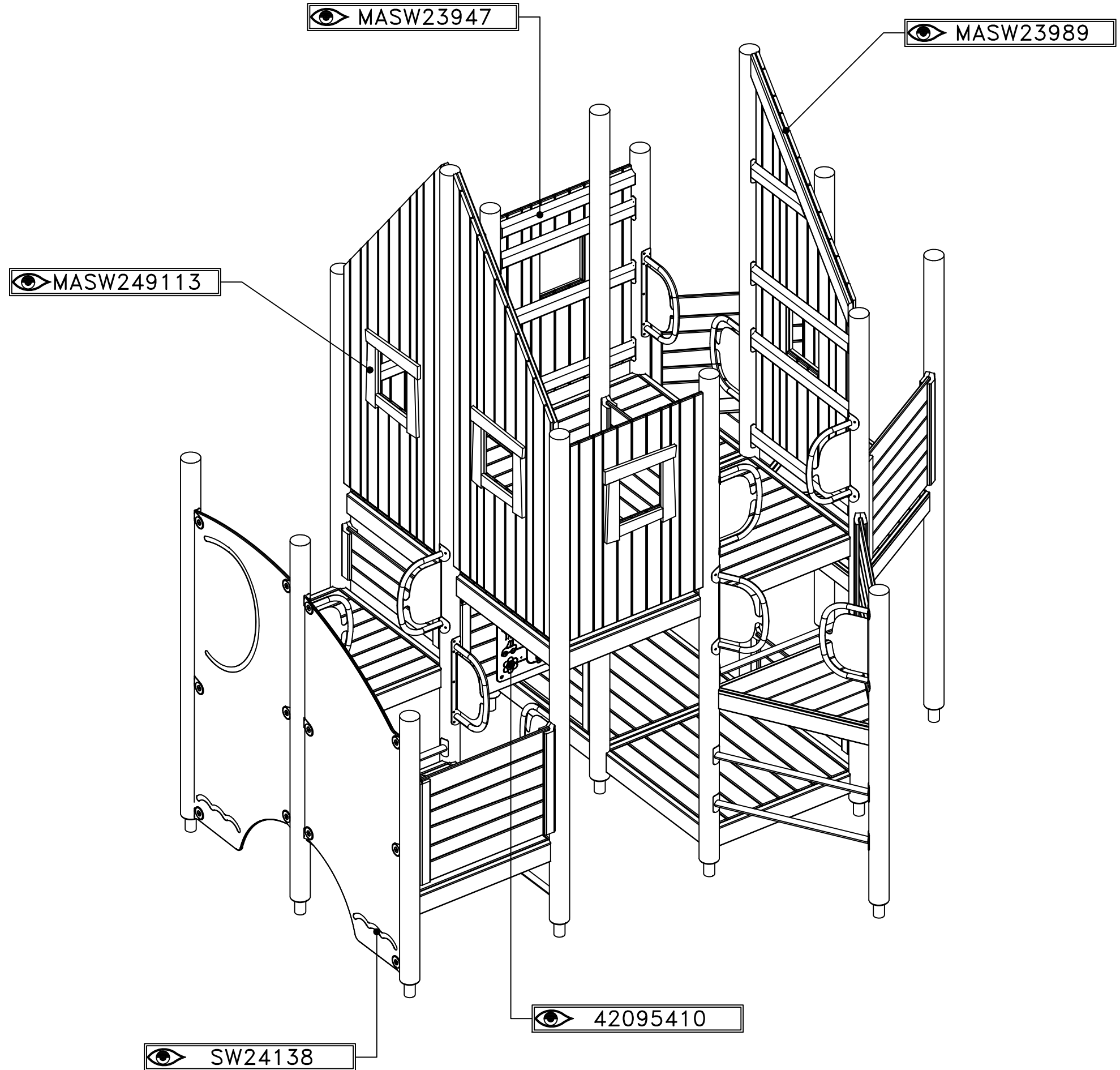
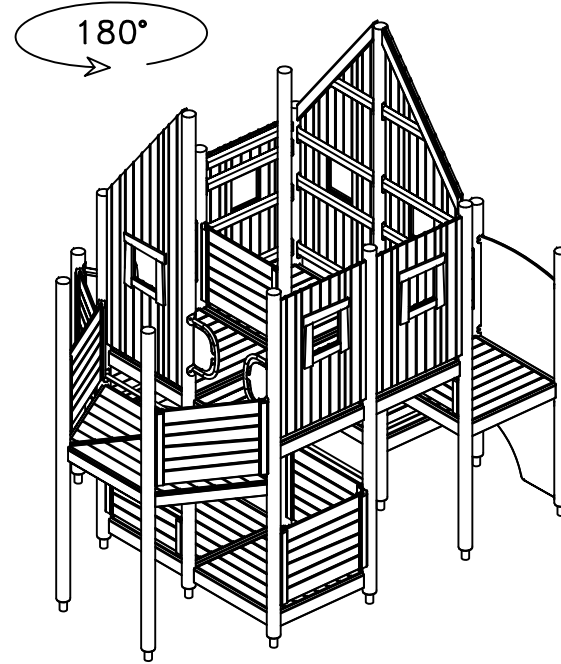
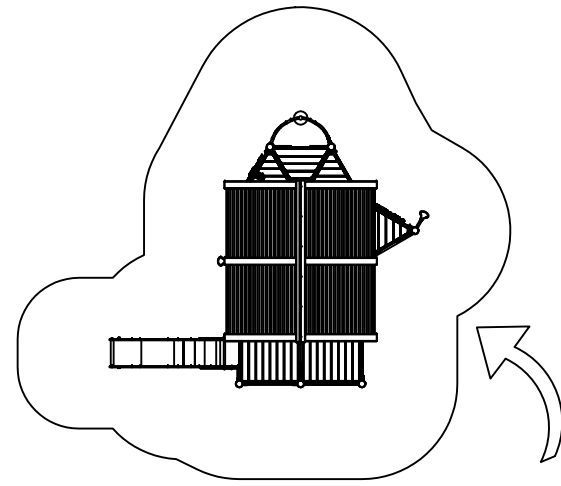
HAGS ANEBY, SWEDEN
+46(0)380-47300
www.hags.com

UniPlay Sikkim
MASW65097
5/8

JW JW 2023-06-12 1

STEP 4

[m]



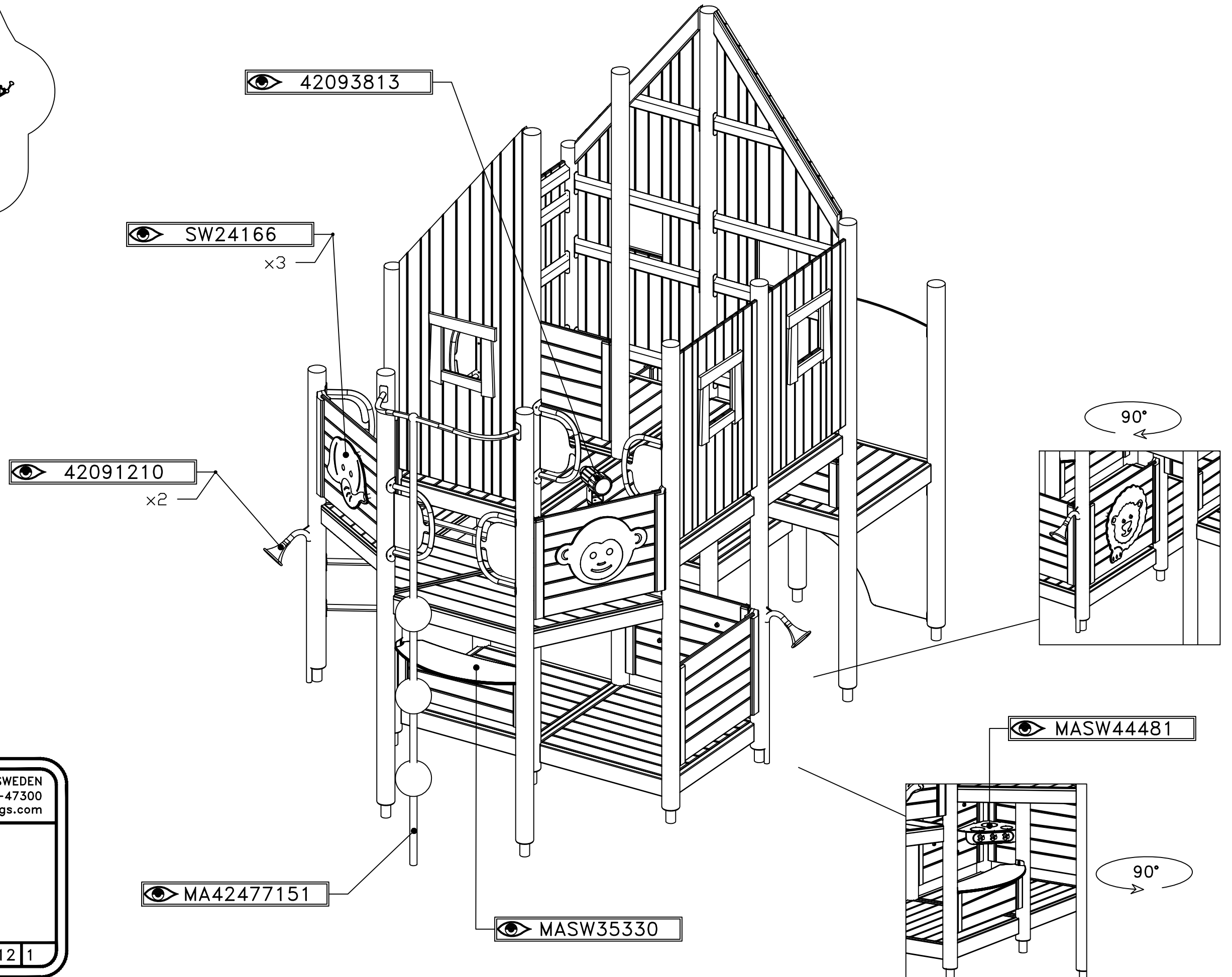
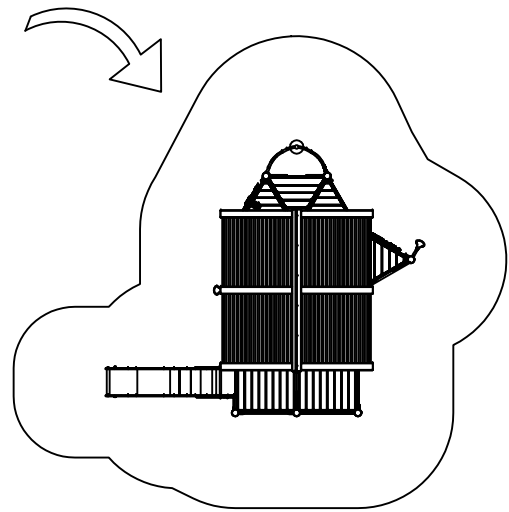
HAGS ANEBY, SWEDEN
+46(0)380-47300
www.hags.com

UniPlay Sikkim
MASW65097
6 / 8

JW JW 2023-06-12 1

STEP 5

[m]



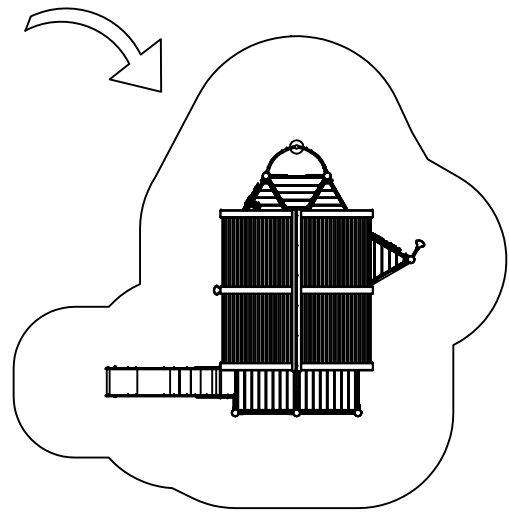
HAGS ANEBY, SWEDEN
+46(0)380-47300
www.hags.com

UniPlay Sikkim
MASW65097
7/8

JW JW 2023-06-12 1

STEP 6

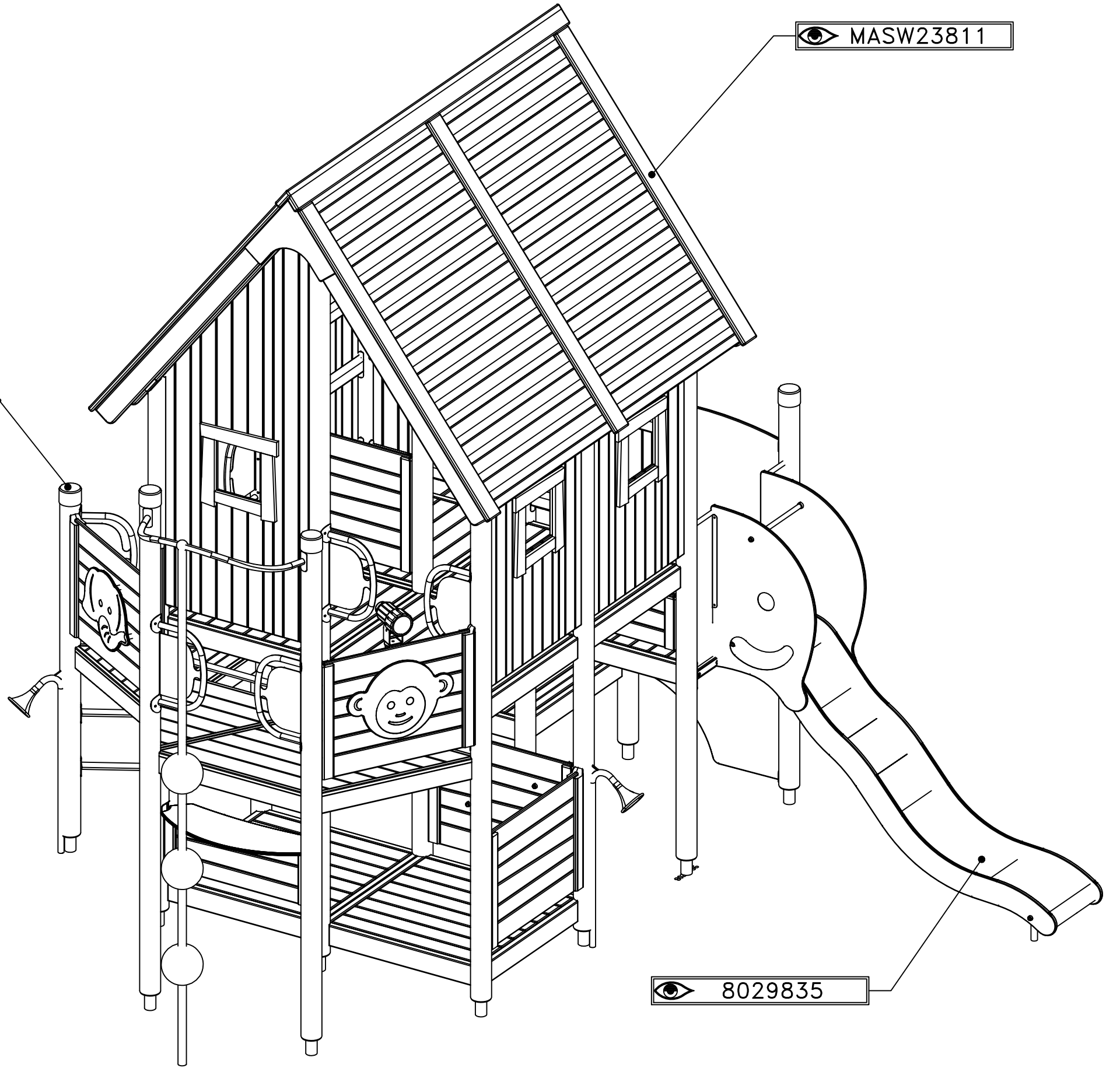
[m]



👁 MASW39775

x6

👁 MASW23811



👁 8029835

HAGS

ANEBY, SWEDEN
+46(0)380-47300
www.hags.com

UniPlay Sikkim
MASW65097
8/8

🏠 JW 👁 JW 2023-06-12 1