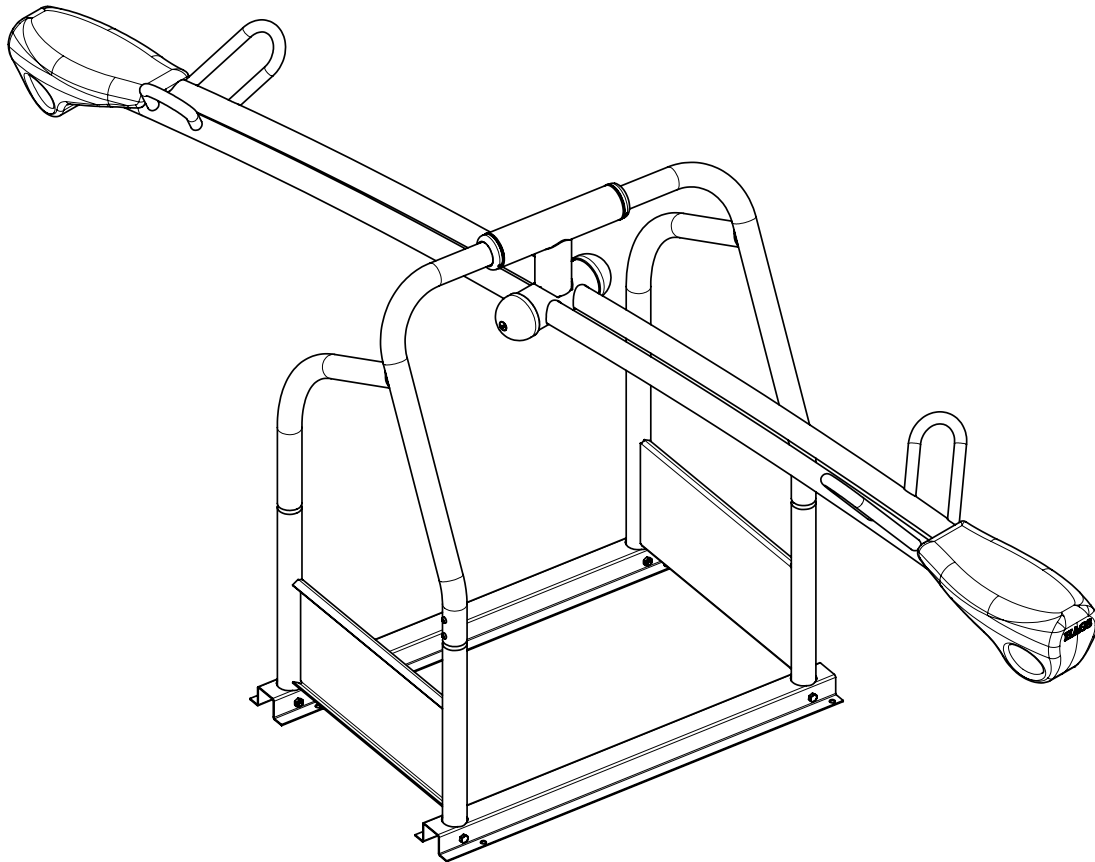


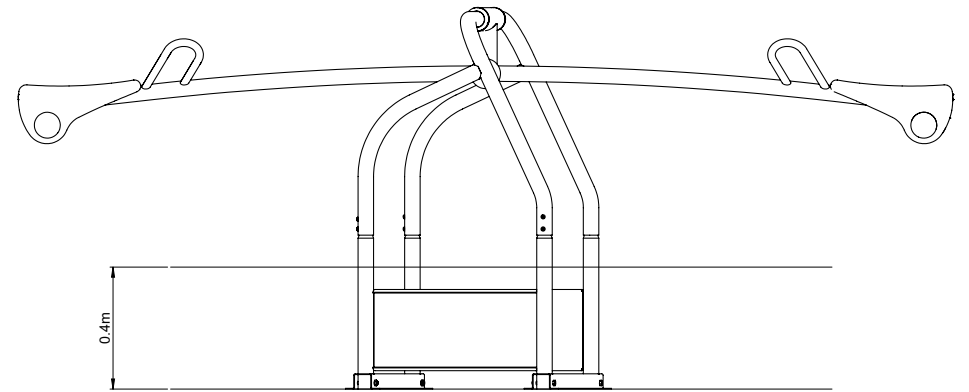
# HAGS<sup>®</sup>

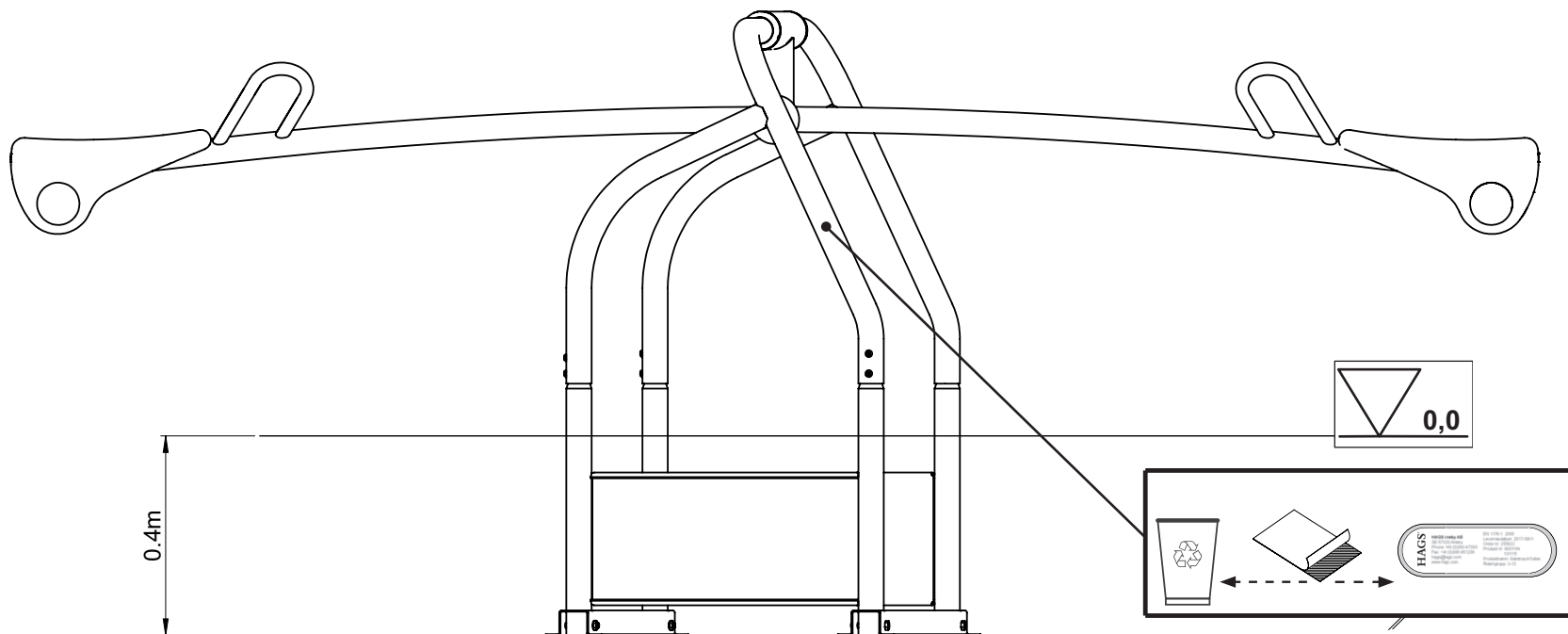
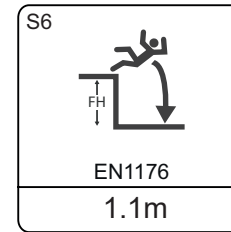
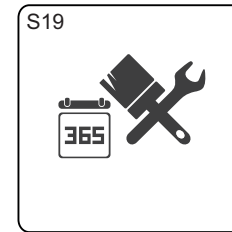
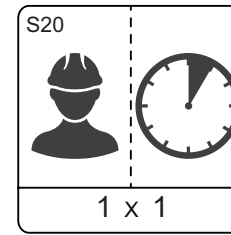
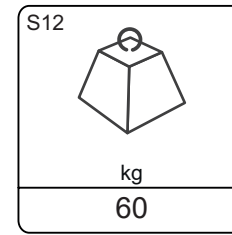
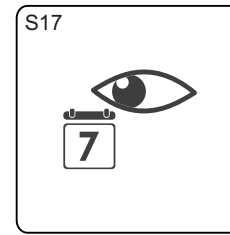
## Seesaw Vippy

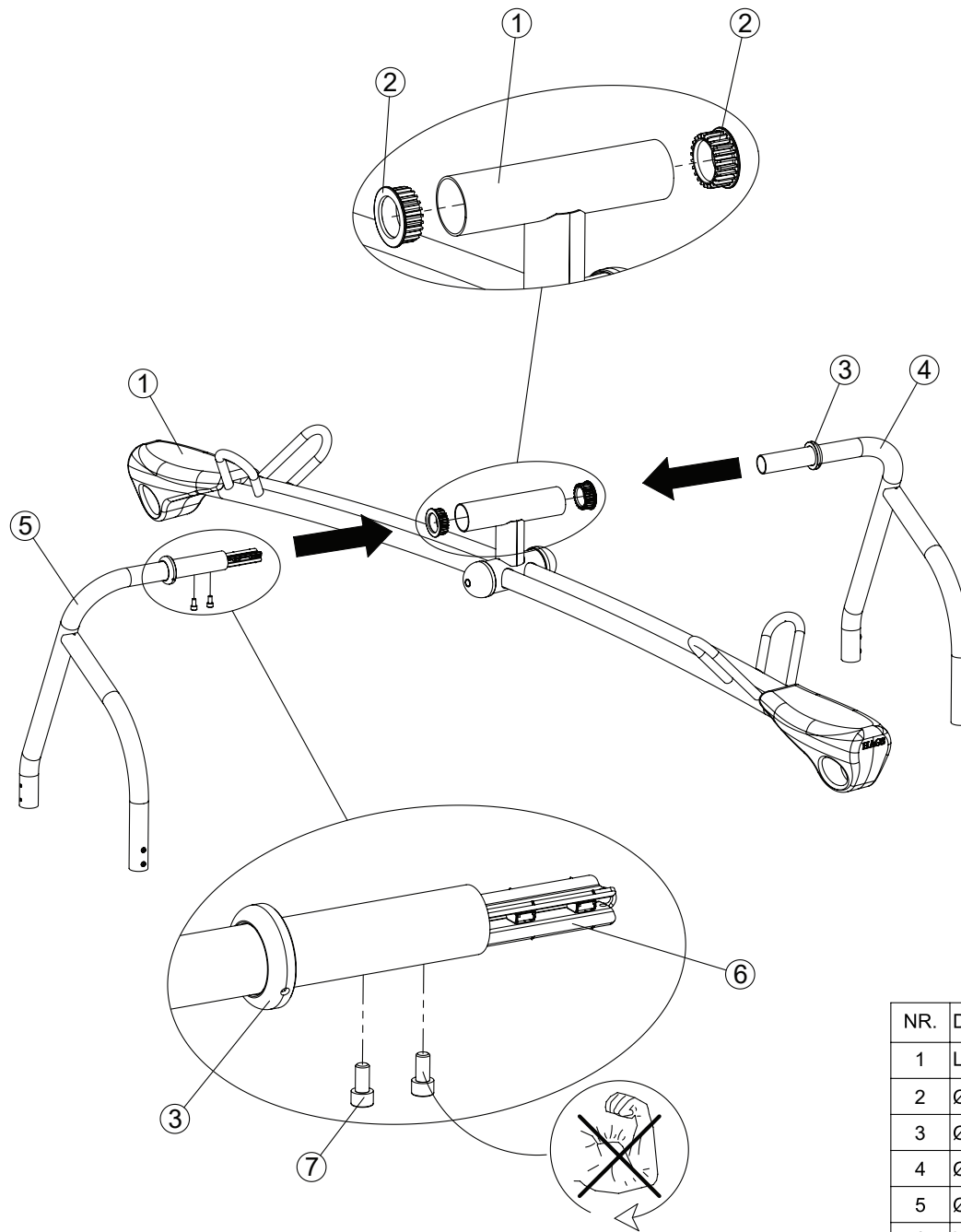
MA121005S



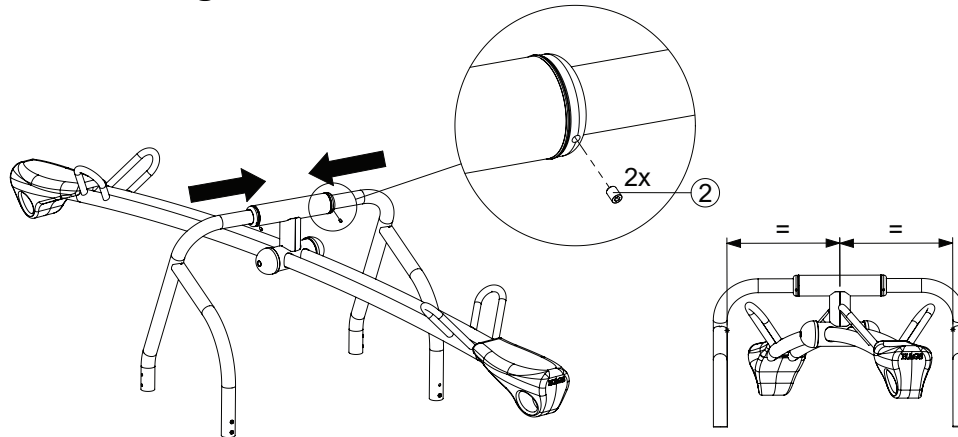
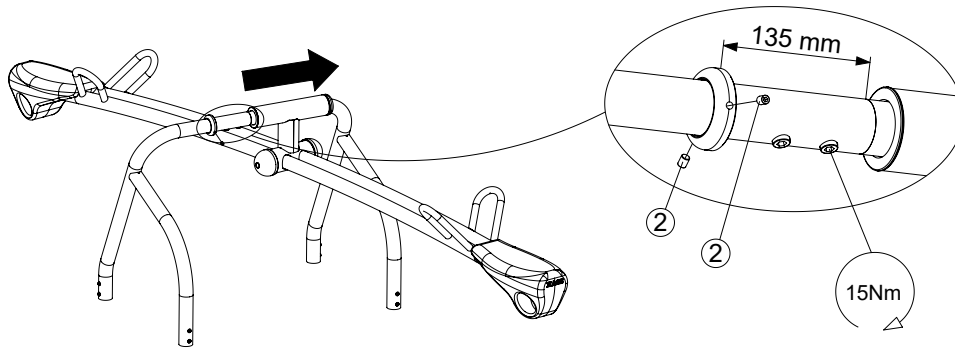
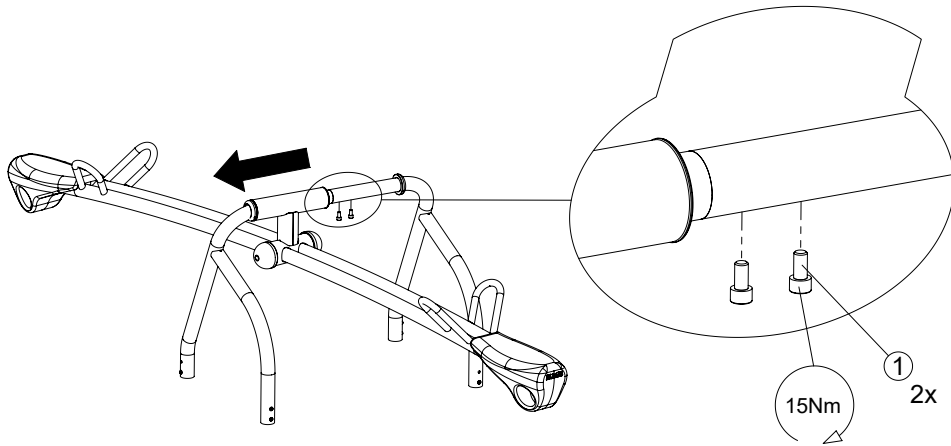
**S**



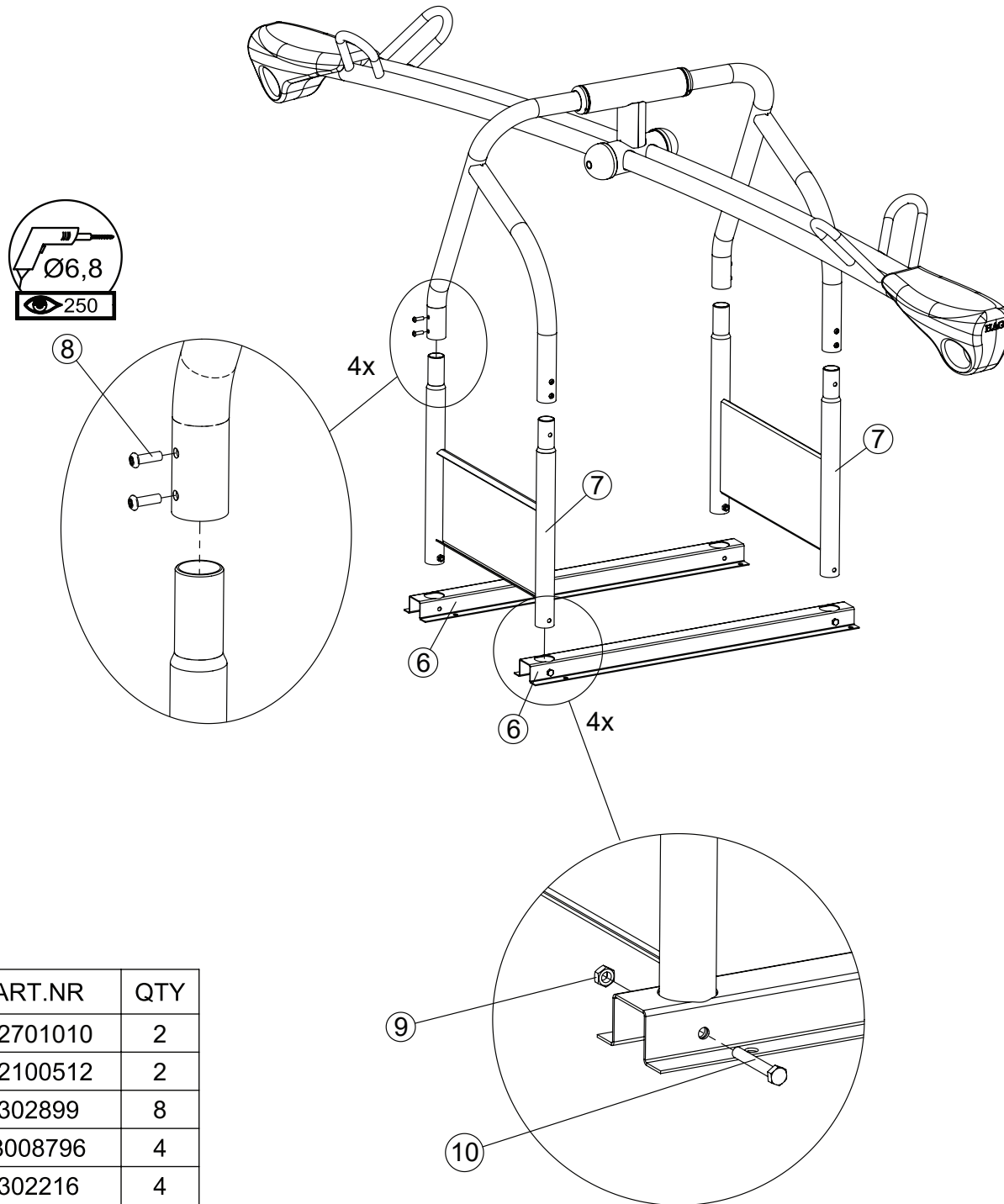




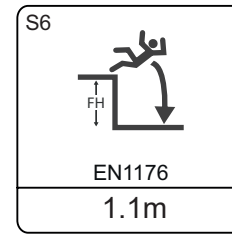
NR.	Description MA	Item Number	QTY.
1	Longitudinal Girder 3060x150 mm	127005-01	1
2	Ø78x30 mm	260456-02	2
3	Ø76x18 mm	260937	2
4	Ø50, 645x708x440	12100510	1
5	Ø50, 645x708x440	12100511	1
6	Locking Device 233x35x25 mm	714707	1
7	MC6S M10x20 mm	302649	2



NR	NAME/DIMENSION	ART.NR	QTY
1	MC6S M10x20 mm	302649	4
2	SK6SS M8x10 mm	312505	4



NR.	NAME/DIMENSION	ART.NR	QTY
6	1000x114x50 mm	12701010	2
7	590x600 mm	12100512	2
8	KTS-GF M8x25 mm	302899	8
9	M6M-8 FZB M10	8008796	4
10	M6S M10x70 mm	302216	4



**EN 1176**

