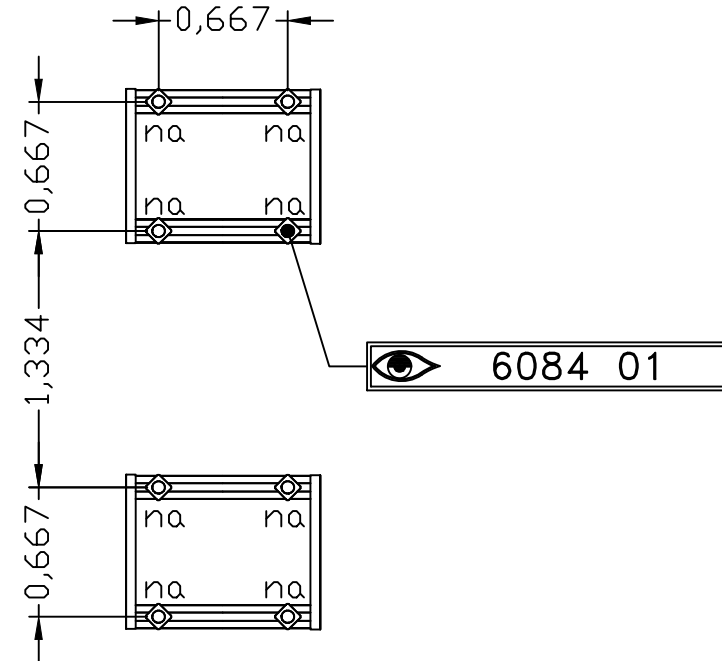
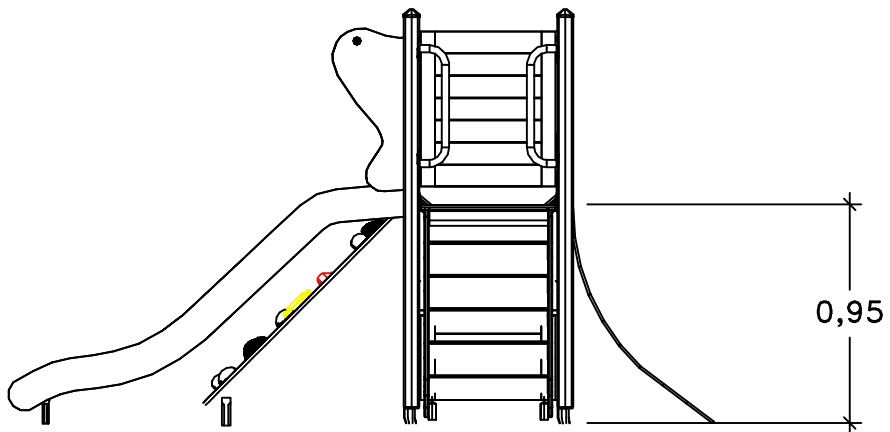
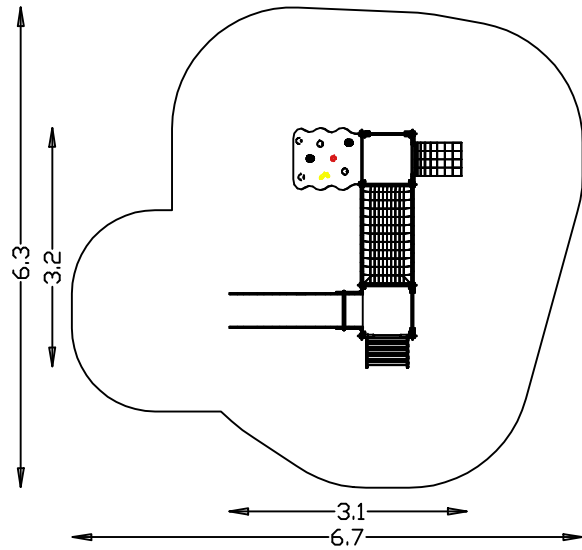


UniMini Ryl

1:100
1,0m 5,0m



HAGS ANEBY, SWEDEN
+46(0)380-47300
www.hags.com

UniMini Ryl
8051850
1/3

EF 2015 04 07



16 h



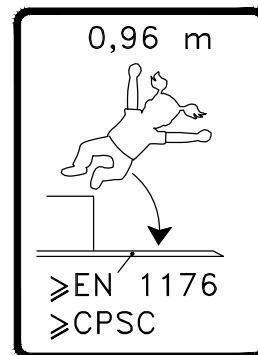
Varje vecka
Every week
Jede woche
Chaque semaine



Varje säsong
Every season
Jedes Jahr
Chaque saison



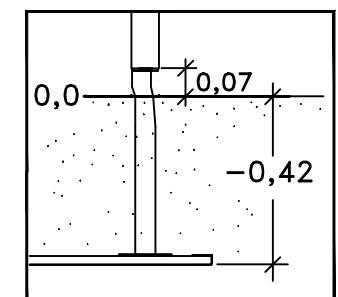
2-5



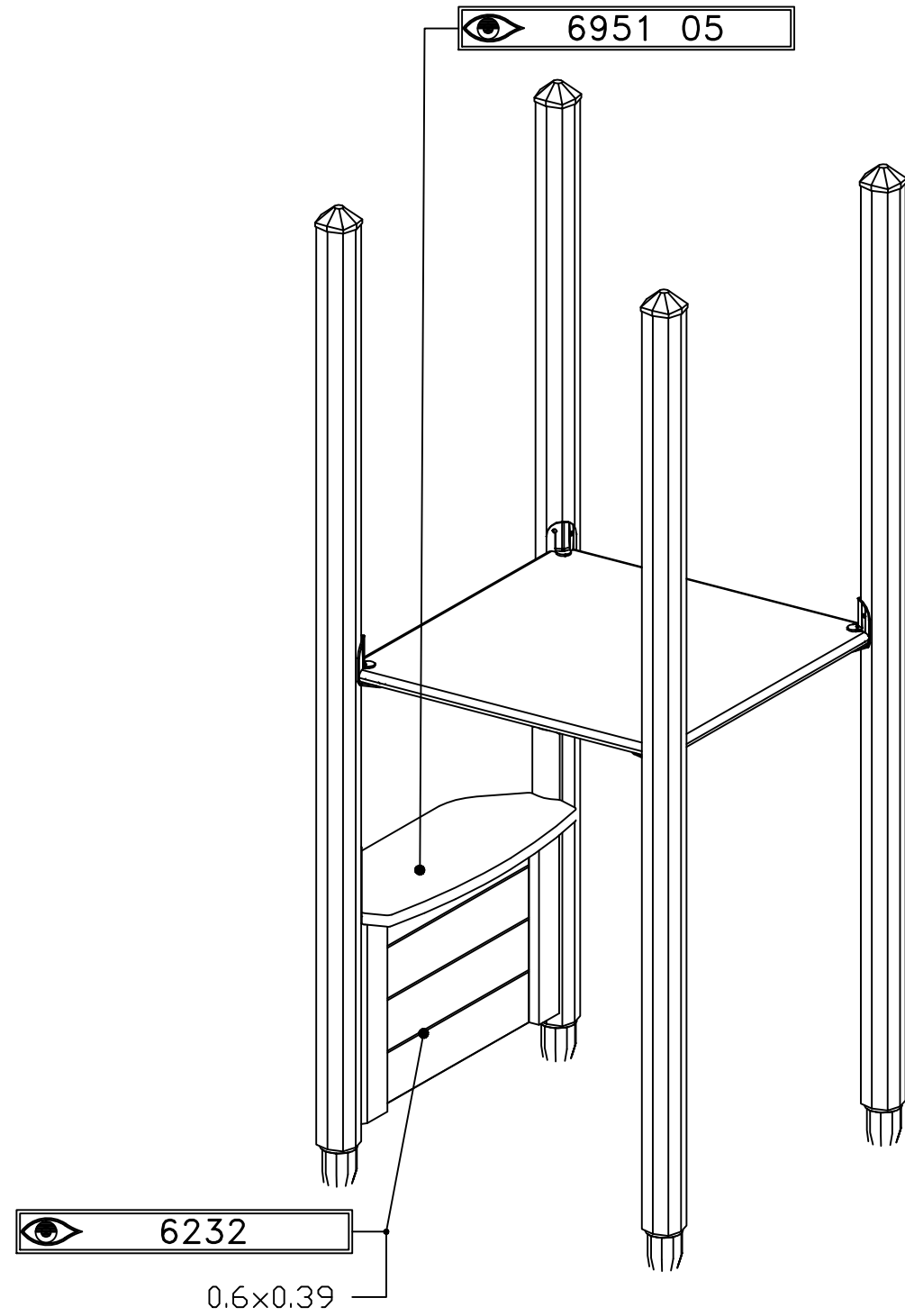
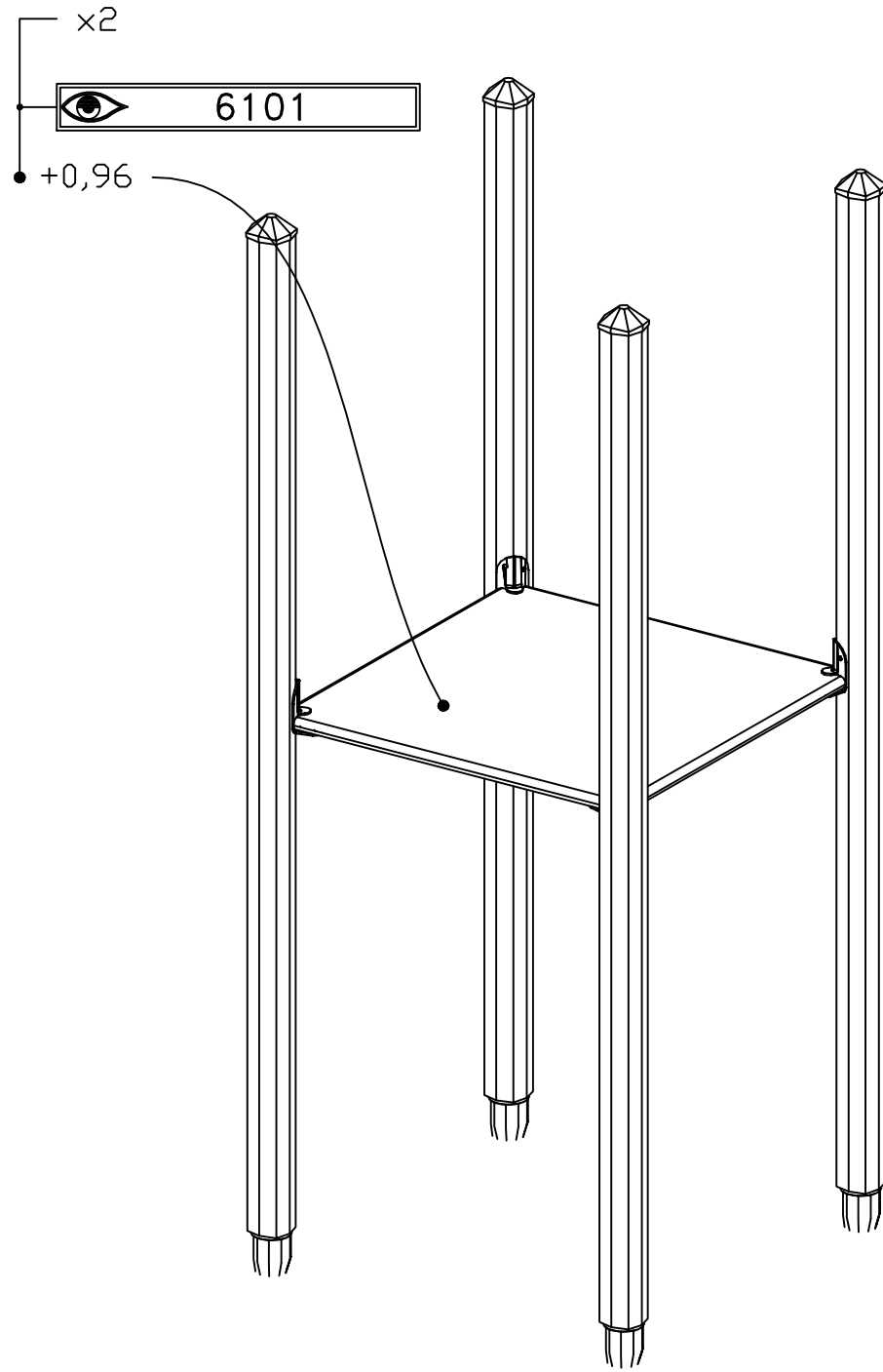
Step by Step UNIMINI

1. Place the slide on a flat surface.
2. Attach the top rail to the slide.
3. Attach the bottom rail to the slide.
4. Attach the side rails to the slide.
5. Attach the safety mat to the slide.
6. Check the slide is secure.

WARNING: Do not use the slide if the slide is damaged or if the slide is not assembled correctly. Do not use the slide if the slide is not assembled correctly.



STEP 1

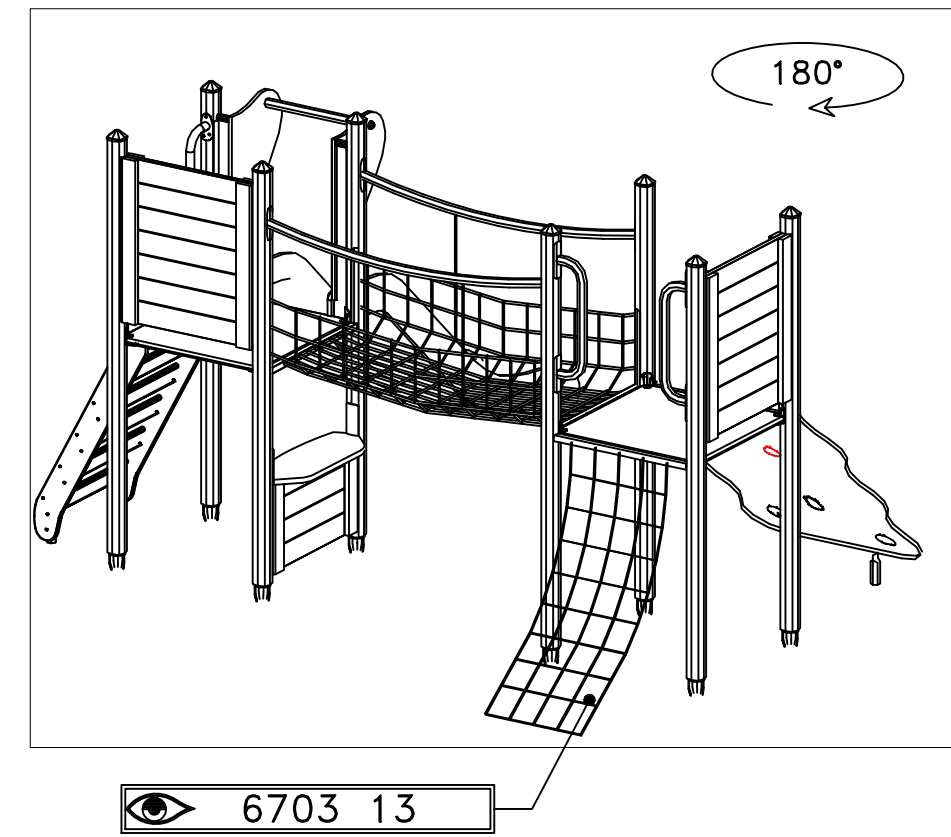
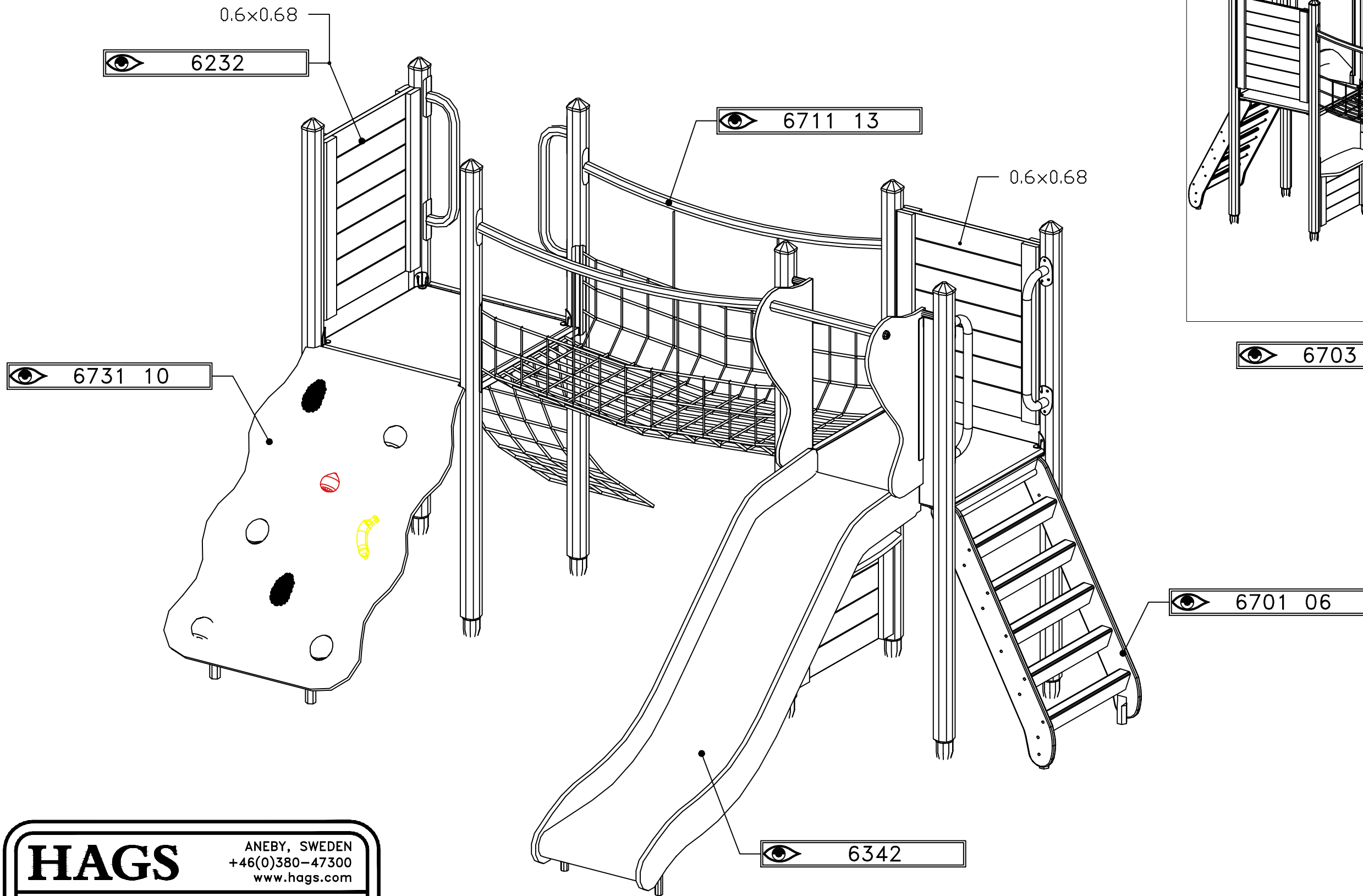


HAGS ANEBY, SWEDEN
+46(0)380-47300
www.hags.com

UniMini Ryl
8051850
2/3

EF 2015 04 07

STEP 2



HAGS ANEBY, SWEDEN
+46(0)380-47300
www.hags.com

UniMini Ryl
8051850
3/3

EF 2015 04 07