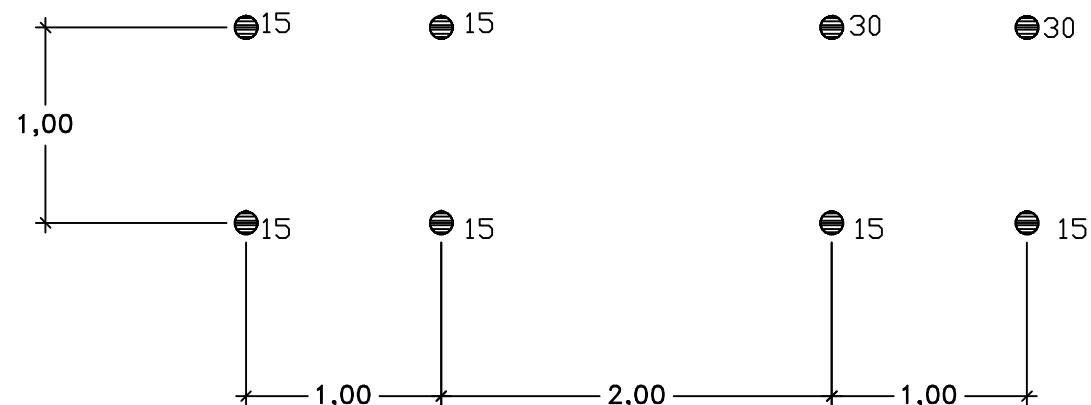
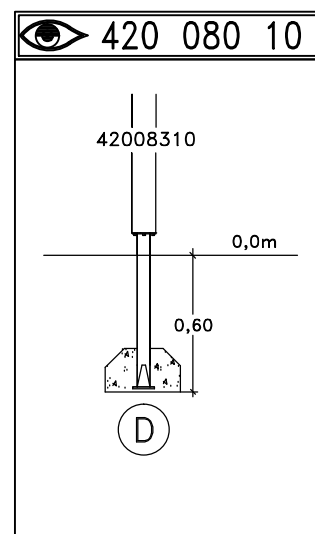
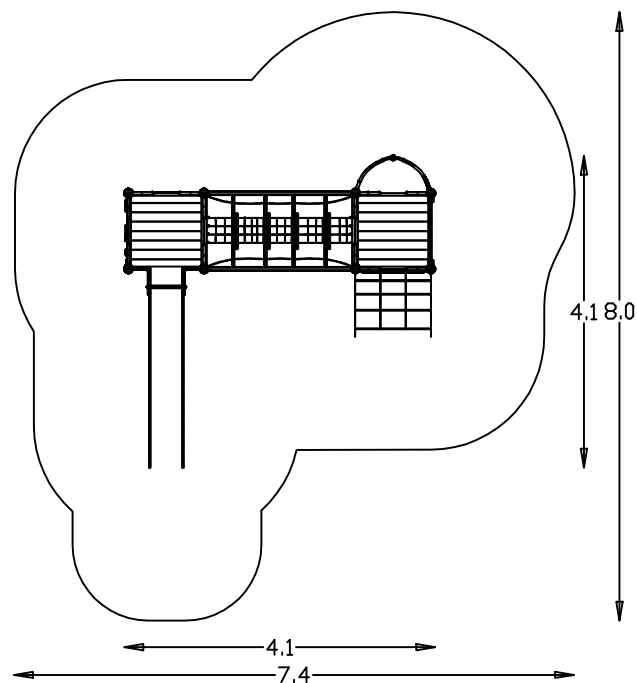
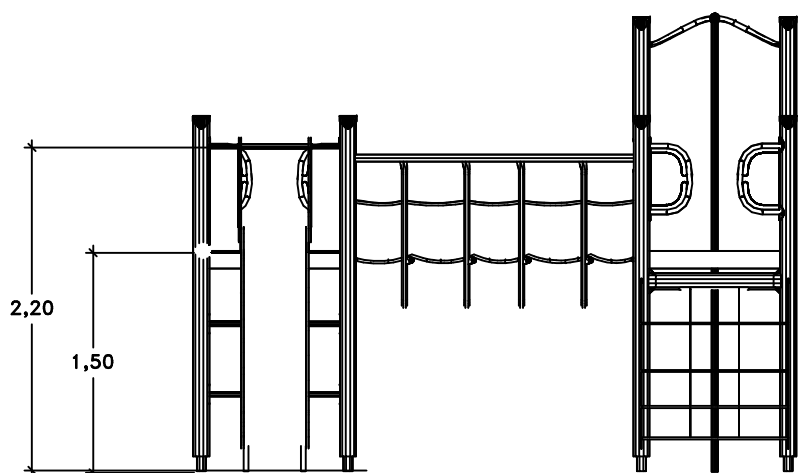


UniPlay Leipton



1 = L:1550
5 = L:1700
10 = L:2000
15 = L:2300
20 = L:2450
25 = L:2600
30 = L:2900
35 = L:3130
40 = L:3200
45 = L:3500
50 = L:3800
55 = L:4100
60 = L:4250
65 = L:4400
70 = L:4465
75 = L:4550
80 = L:4700
85 = L:5000



HAGS ANEBY, SWEDEN
+46(0)380-47300
www.hags.com

UniPlay Leiption
8051911
1/4

EF 2015 04 15



20h



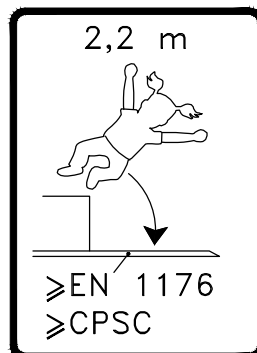
Varje vecka
Every week
Jede woche
Chaque semaine



Varje säsong
Every season
Jedes Jahr
Chaque saison



5-12



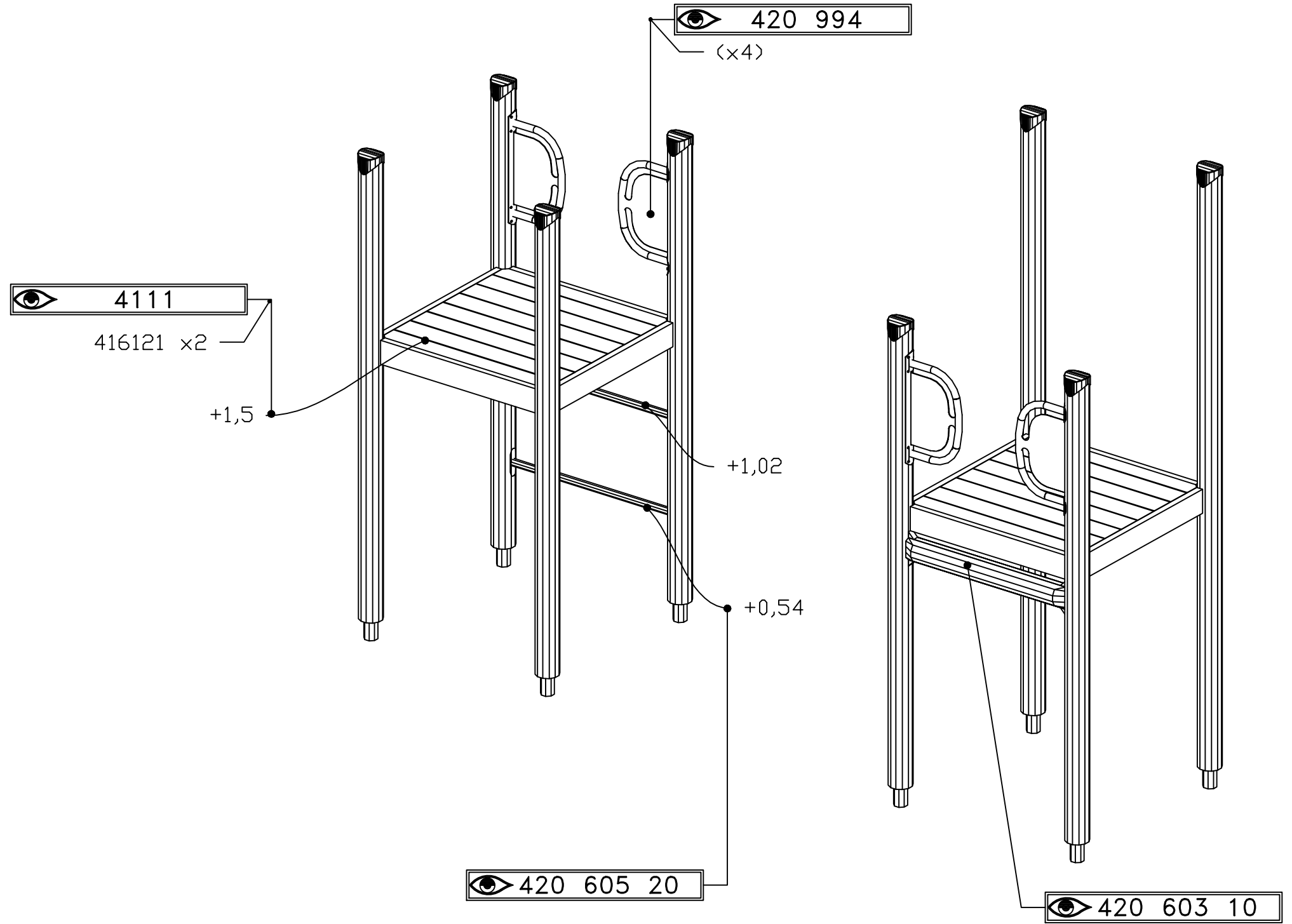
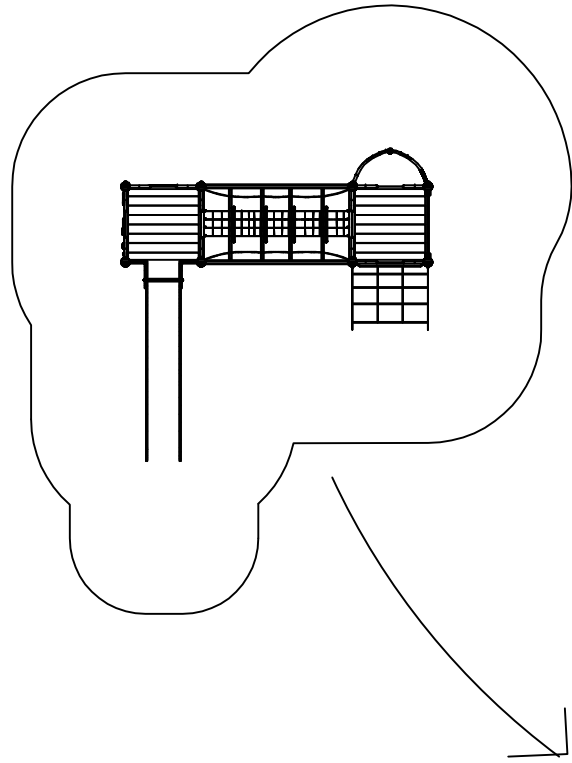
Step by Step UniPlay

Assembly:
1. Check the ground conditions and level. The ground should be soft and even. If necessary, use sand or rubber mulch to create a safe landing area.
2. Assemble the base frame according to the instructions.
3. Attach the vertical posts and secure them with the provided nuts and washers.
4. Install the platform and ensure it is level and secure.
5. Attach the slide and stairs, making sure they are properly aligned and secured.
6. Double-check all connections and ensure the structure is stable and safe for use.

Warnings:
- Do not use the structure if it is damaged or if any parts are missing.
- Do not allow children to play on the structure if it is raining or if the ground is too wet.
- Regularly inspect the structure for wear and tear, and replace any damaged parts immediately.

HAGS SE 1(S)

STEP 1

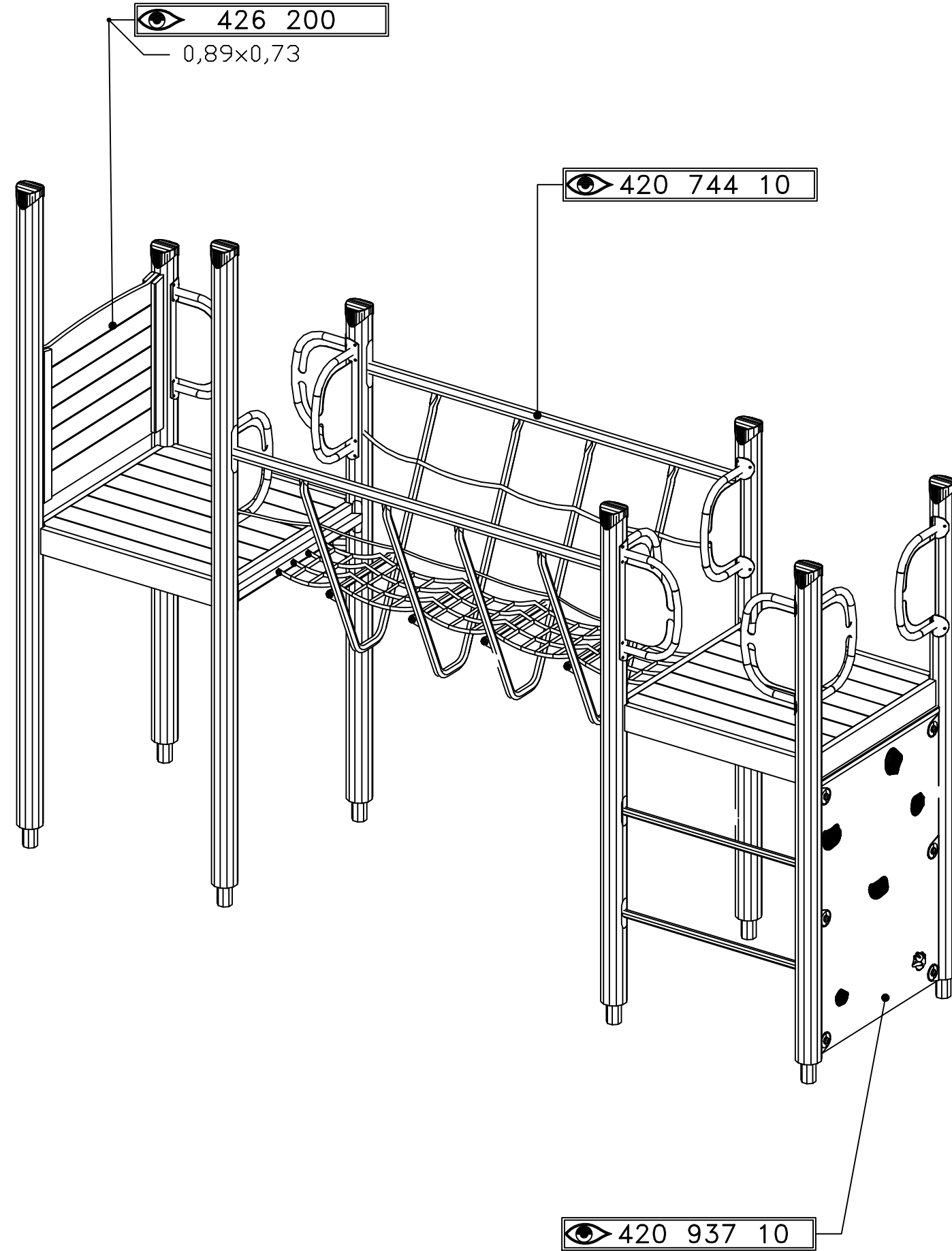
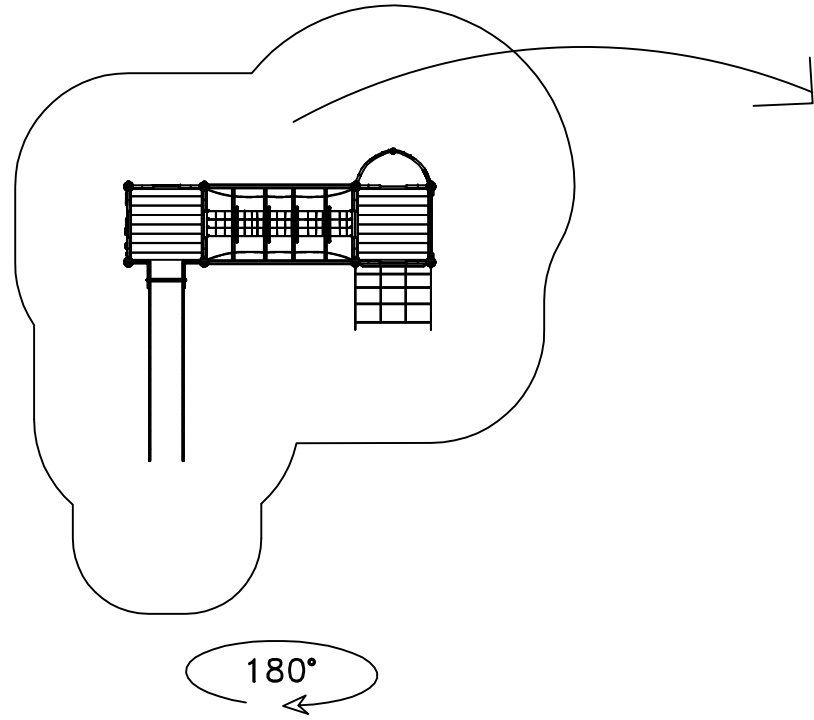


HAGS ANEBY, SWEDEN
+46(0)380-47300
www.hags.com

UniPlay Liepton
8051911
2/4

EF 2015 04 15

STEP 2

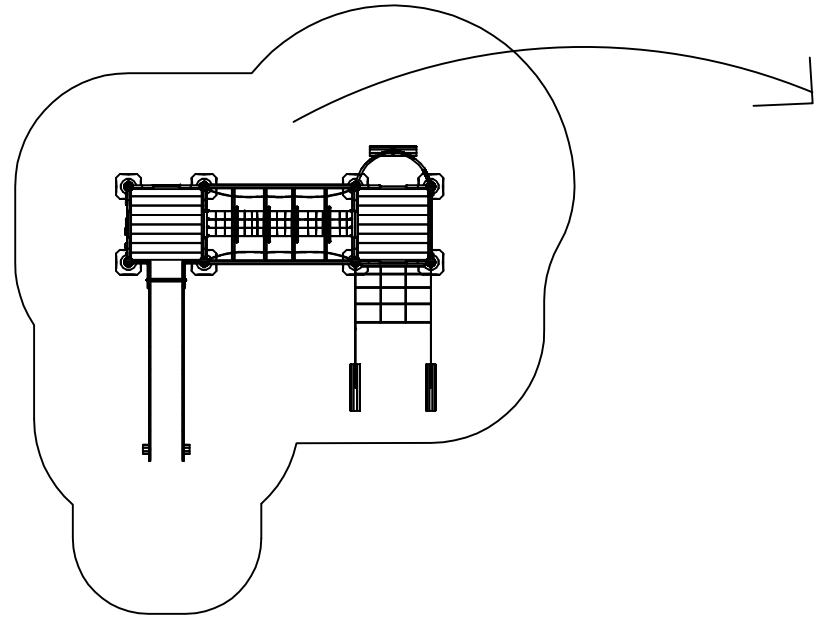


HAGS ANEBY, SWEDEN
+46(0)380-47300
www.hags.com

UniPlay Liepton
8051911
3/4

EF 2015 04 15

STEP 3



180°

420 770 10

420 703 10

423 213

HAGS ANEBY, SWEDEN
+46(0)380-47300
www.hags.com

UniPlay Leipton
8051911
4/4

EF 2015 04 15