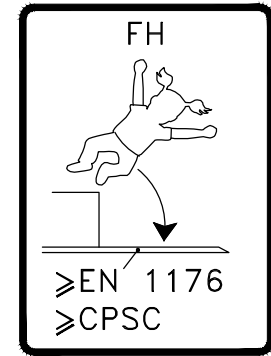
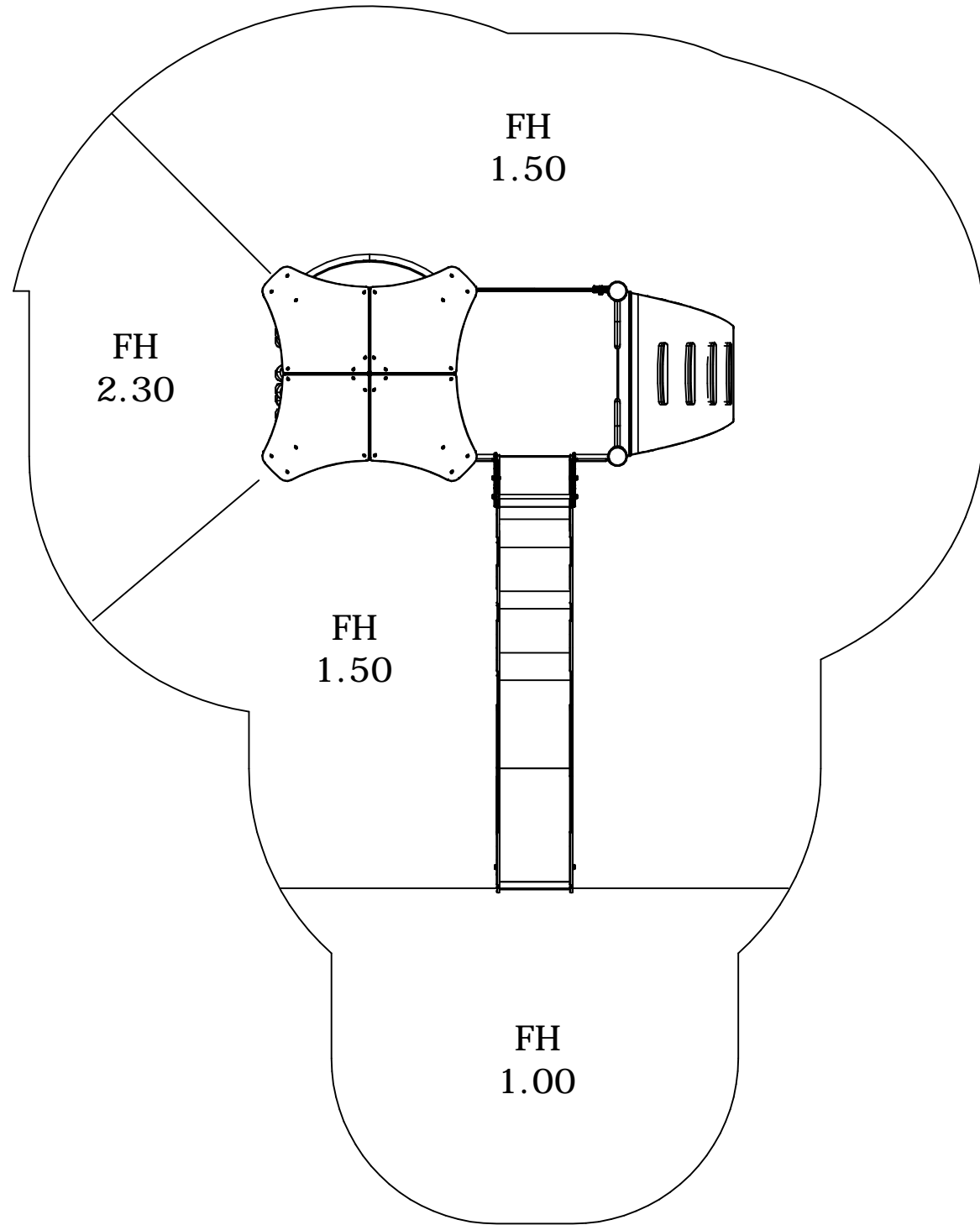
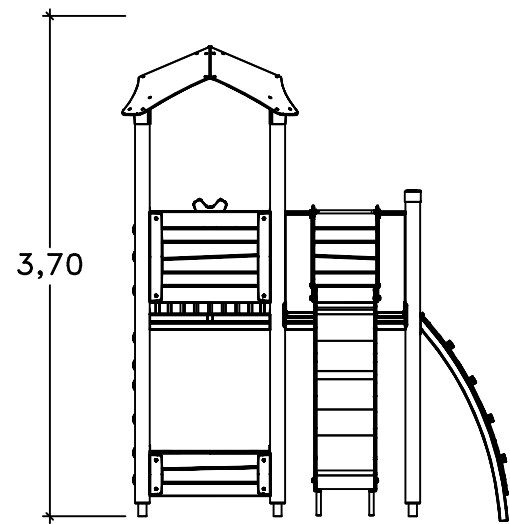
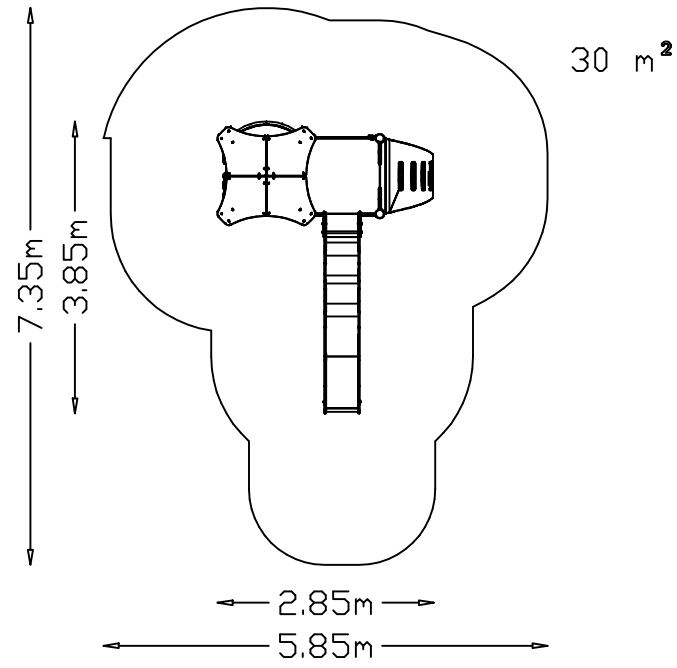


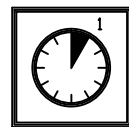
UniPlay Maver



**HAGS** ANEBY, SWEDEN  
+46(0)380-47300  
www.hags.com

UniPlay Maver  
MASW65052  
1/6

LN JN 2018-02-14 0



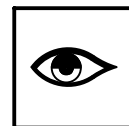
17h



Varje vecka  
Every week  
Jede woche  
Chaque semaine



Varje säsong  
Every season  
Jedes Jahr  
Chaque saison

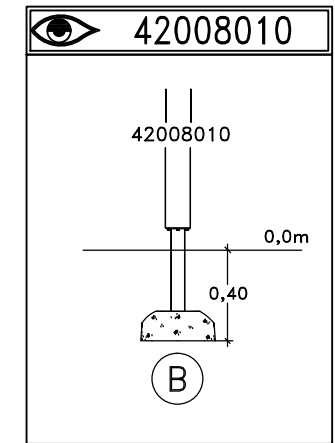
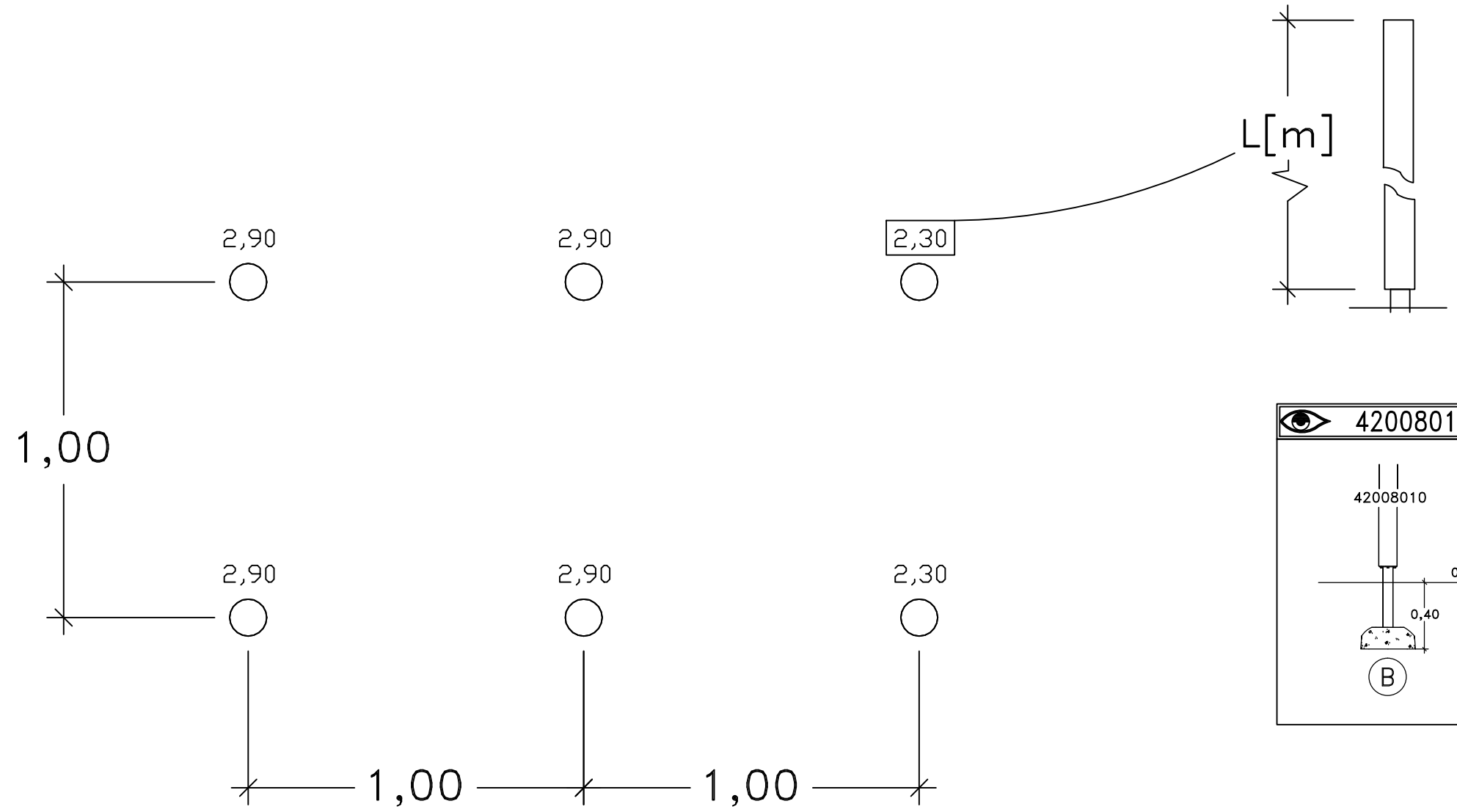
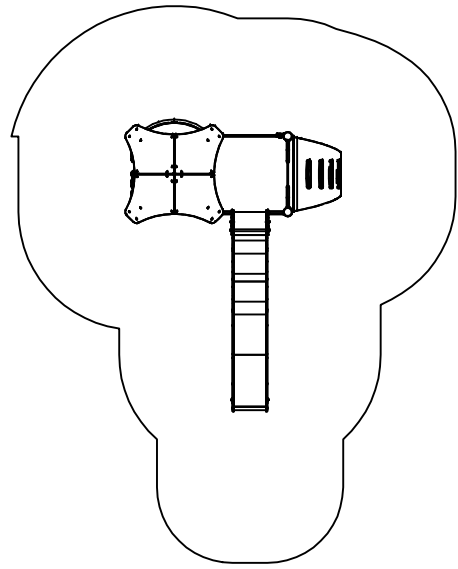


Step by Step UniPlay

1  
2  
3  
4  
5  
6  
7  
8  
9  
10  
11  
12  
13  
14  
15  
16  
17  
18  
19  
20  
21  
22  
23  
24  
25  
26  
27  
28  
29  
30  
31  
32  
33  
34  
35  
36  
37  
38  
39  
40  
41  
42  
43  
44  
45  
46  
47  
48  
49  
50  
51  
52  
53  
54  
55  
56  
57  
58  
59  
60  
61  
62  
63  
64  
65  
66  
67  
68  
69  
70  
71  
72  
73  
74  
75  
76  
77  
78  
79  
80  
81  
82  
83  
84  
85  
86  
87  
88  
89  
90  
91  
92  
93  
94  
95  
96  
97  
98  
99  
100

UNIVERSAL TOOLS REQUIRED:  
- 1x 10mm hex key  
- 1x 12mm hex key  
- 1x 15mm hex key  
- 1x 17mm hex key  
- 1x 19mm hex key  
- 1x 21mm hex key  
- 1x 23mm hex key  
- 1x 25mm hex key  
- 1x 27mm hex key  
- 1x 29mm hex key  
- 1x 31mm hex key  
- 1x 33mm hex key  
- 1x 35mm hex key  
- 1x 37mm hex key  
- 1x 39mm hex key  
- 1x 41mm hex key  
- 1x 43mm hex key  
- 1x 45mm hex key  
- 1x 47mm hex key  
- 1x 49mm hex key  
- 1x 51mm hex key  
- 1x 53mm hex key  
- 1x 55mm hex key  
- 1x 57mm hex key  
- 1x 59mm hex key  
- 1x 61mm hex key  
- 1x 63mm hex key  
- 1x 65mm hex key  
- 1x 67mm hex key  
- 1x 69mm hex key  
- 1x 71mm hex key  
- 1x 73mm hex key  
- 1x 75mm hex key  
- 1x 77mm hex key  
- 1x 79mm hex key  
- 1x 81mm hex key  
- 1x 83mm hex key  
- 1x 85mm hex key  
- 1x 87mm hex key  
- 1x 89mm hex key  
- 1x 91mm hex key  
- 1x 93mm hex key  
- 1x 95mm hex key  
- 1x 97mm hex key  
- 1x 99mm hex key

HAGS  
UniPlay Maver  
MASW65052  
SE 1(3)



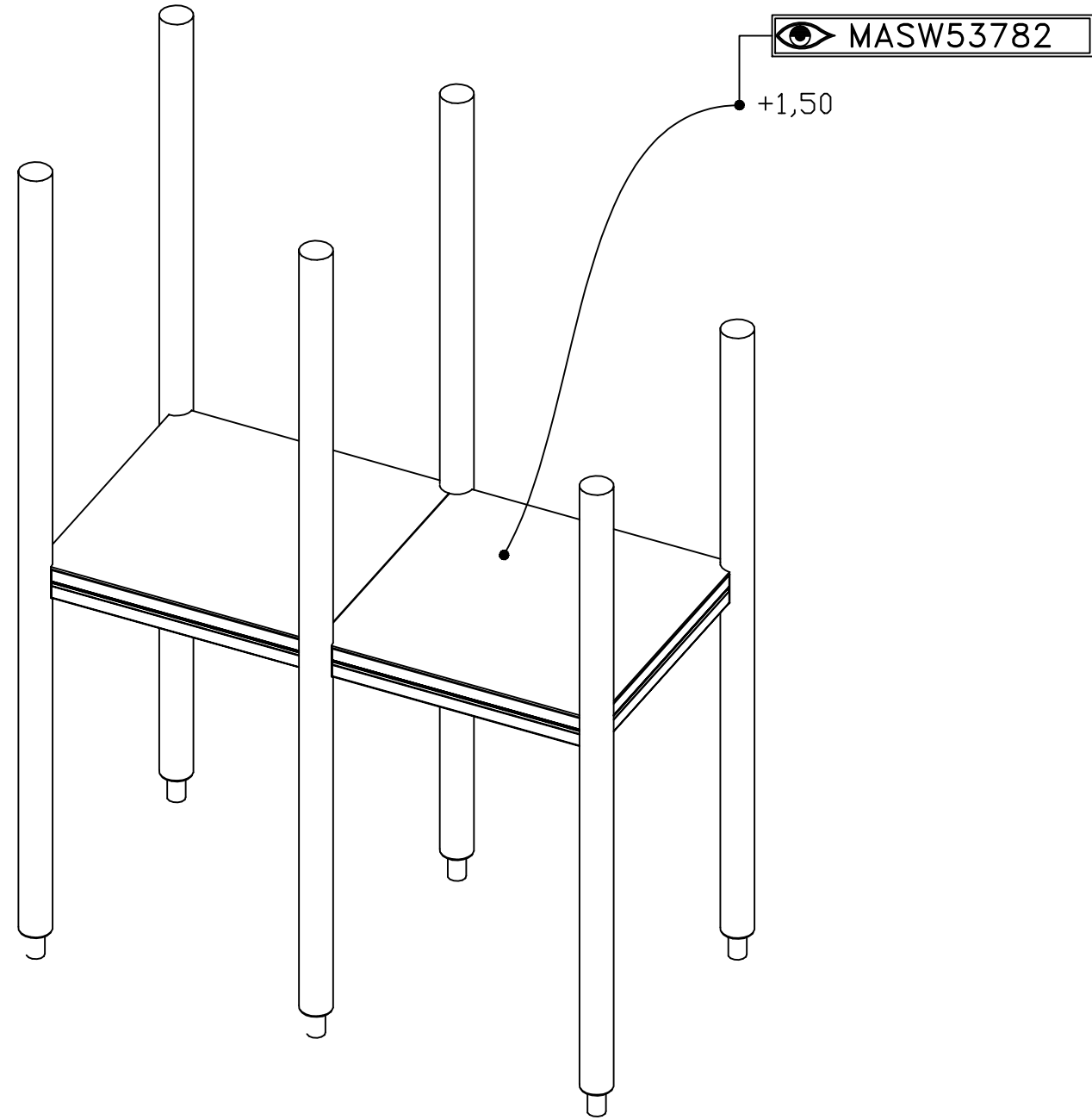
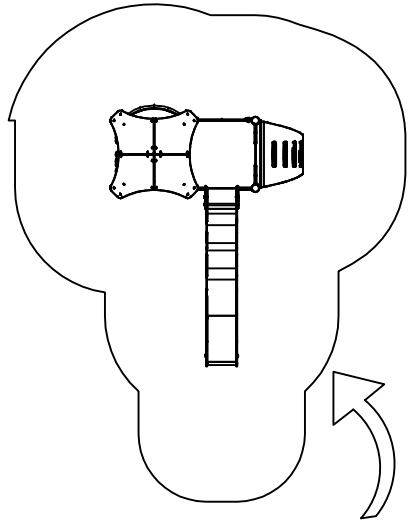
**HAGS** ANEBY, SWEDEN  
+46(0)380-47300  
www.hags.com

UniPlay Maver  
MASW65052  
2/6

LN JN 2018-02-14 0

# STEP 1

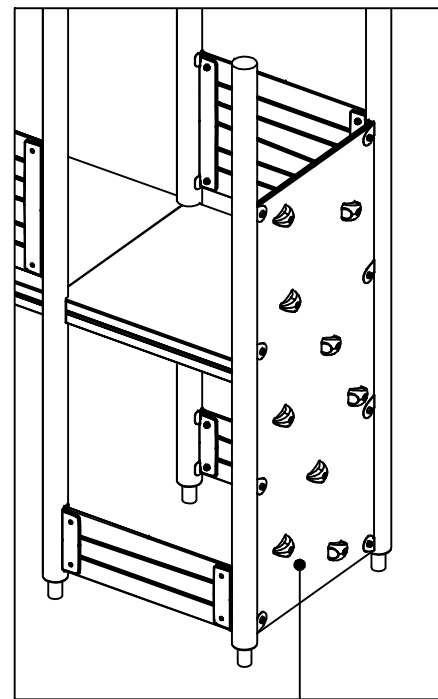
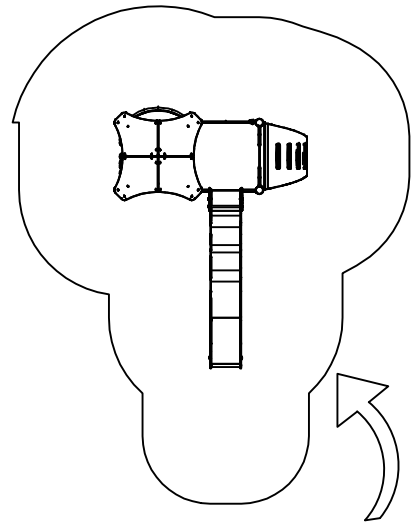
[m]



<b>HAGS</b>	ANEBY, SWEDEN +46(0)380-47300 www.hags.com
UniPlay Maver MASW65052 3/6	
LN	JN 2018-02-14 0

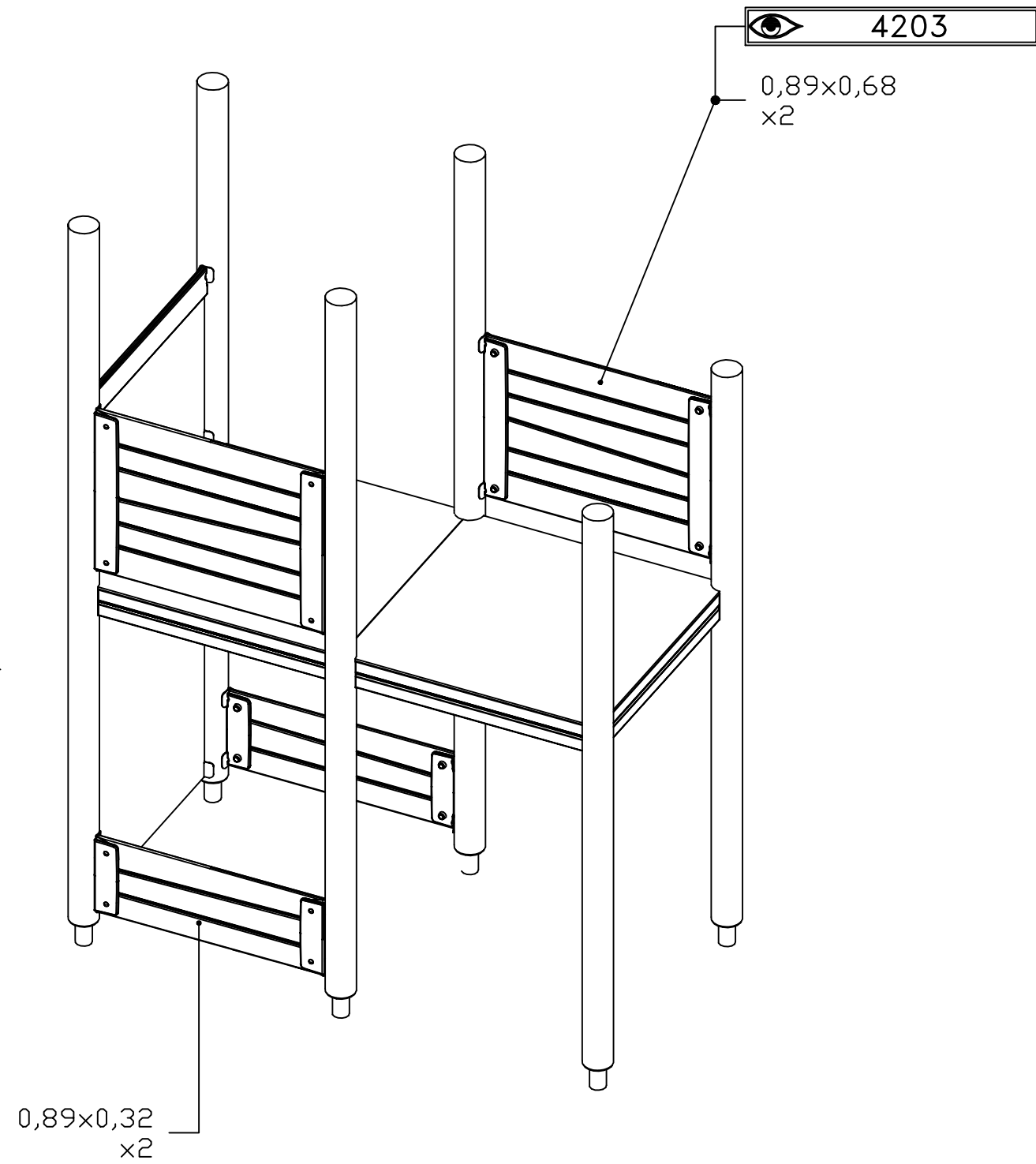
# STEP 2

[m]





180°

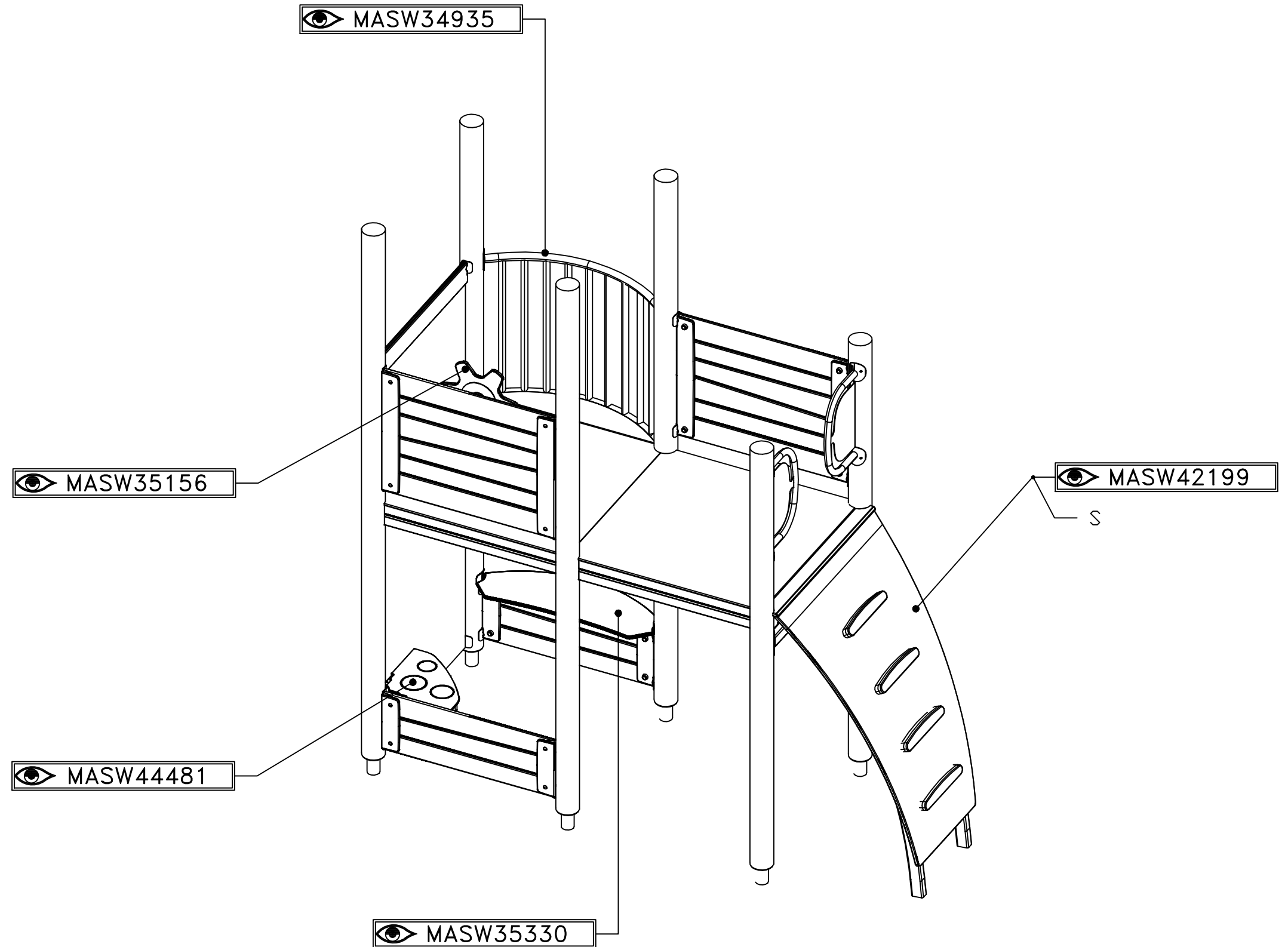
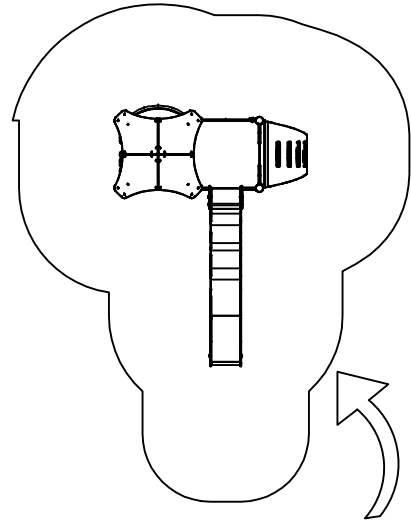
 MASW42099



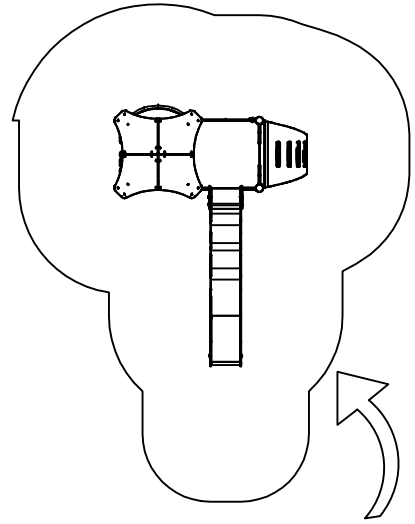
**HAGS** ANEBY, SWEDEN  
+46(0)380-47300  
www.hags.com

UniPlay Maver  
MASW65052  
4/6

 LN  JN 2018-02-14 0



<b>HAGS</b>	ANEBY, SWEDEN +46(0)380-47300 www.hags.com
UniPlay Maver MASW65052 5/6	
LN	JN 2018-02-14 0



👁 MASW41284

👁 MASW39775

x2

👁 423213

**HAGS**

ANEBY, SWEDEN  
+46(0)380-47300  
www.hags.com

UniPlay Maver  
MASW65052  
6/6