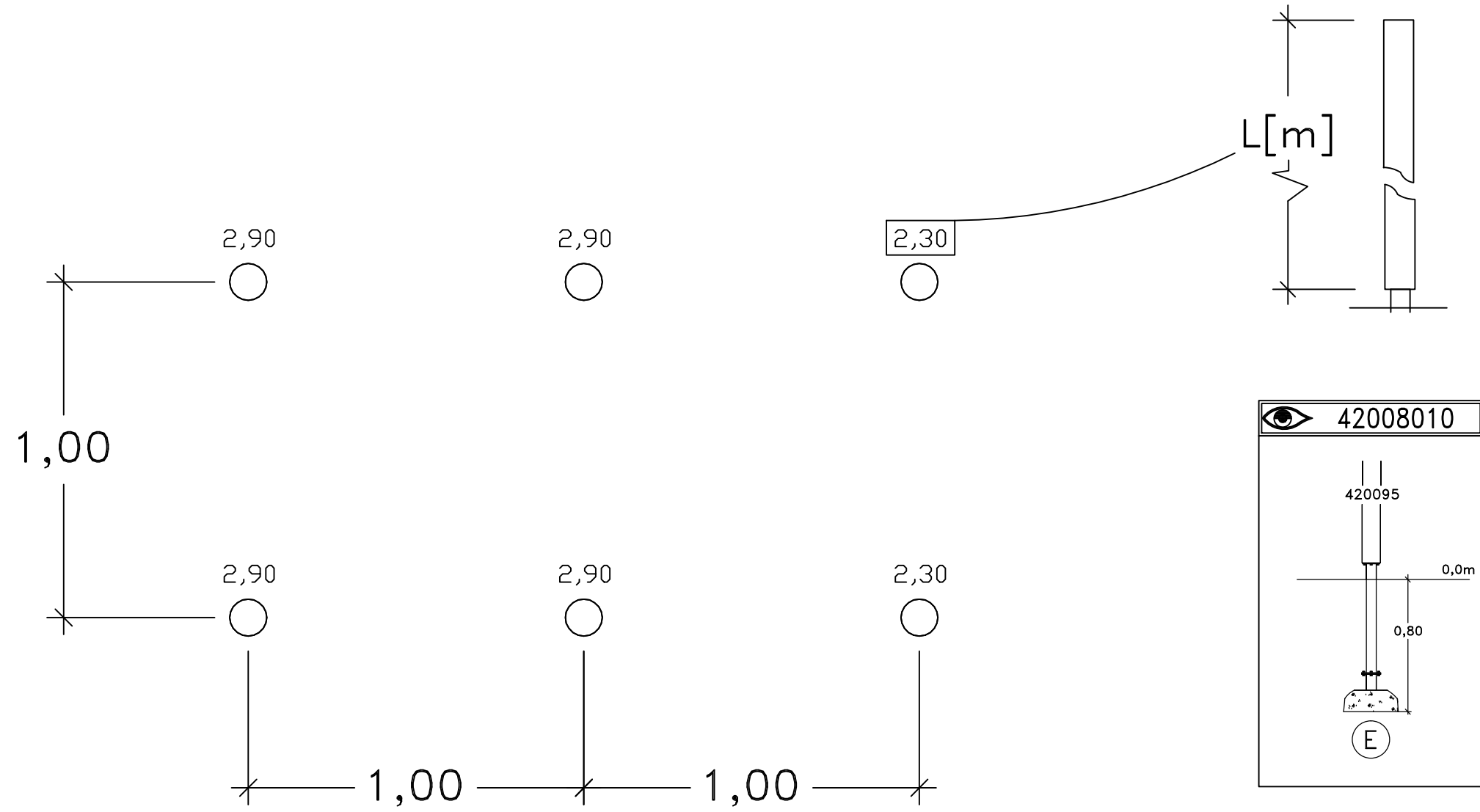
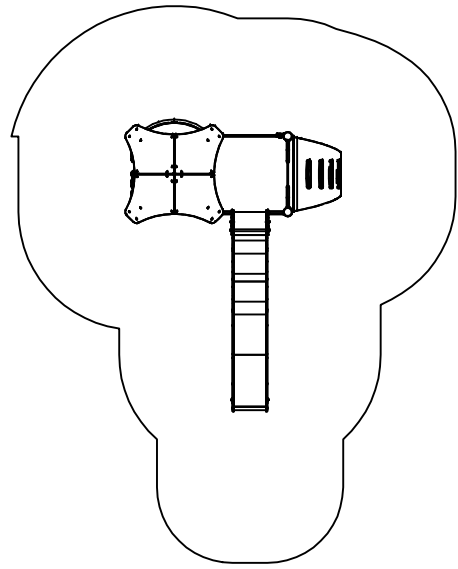


UniPlay Maver



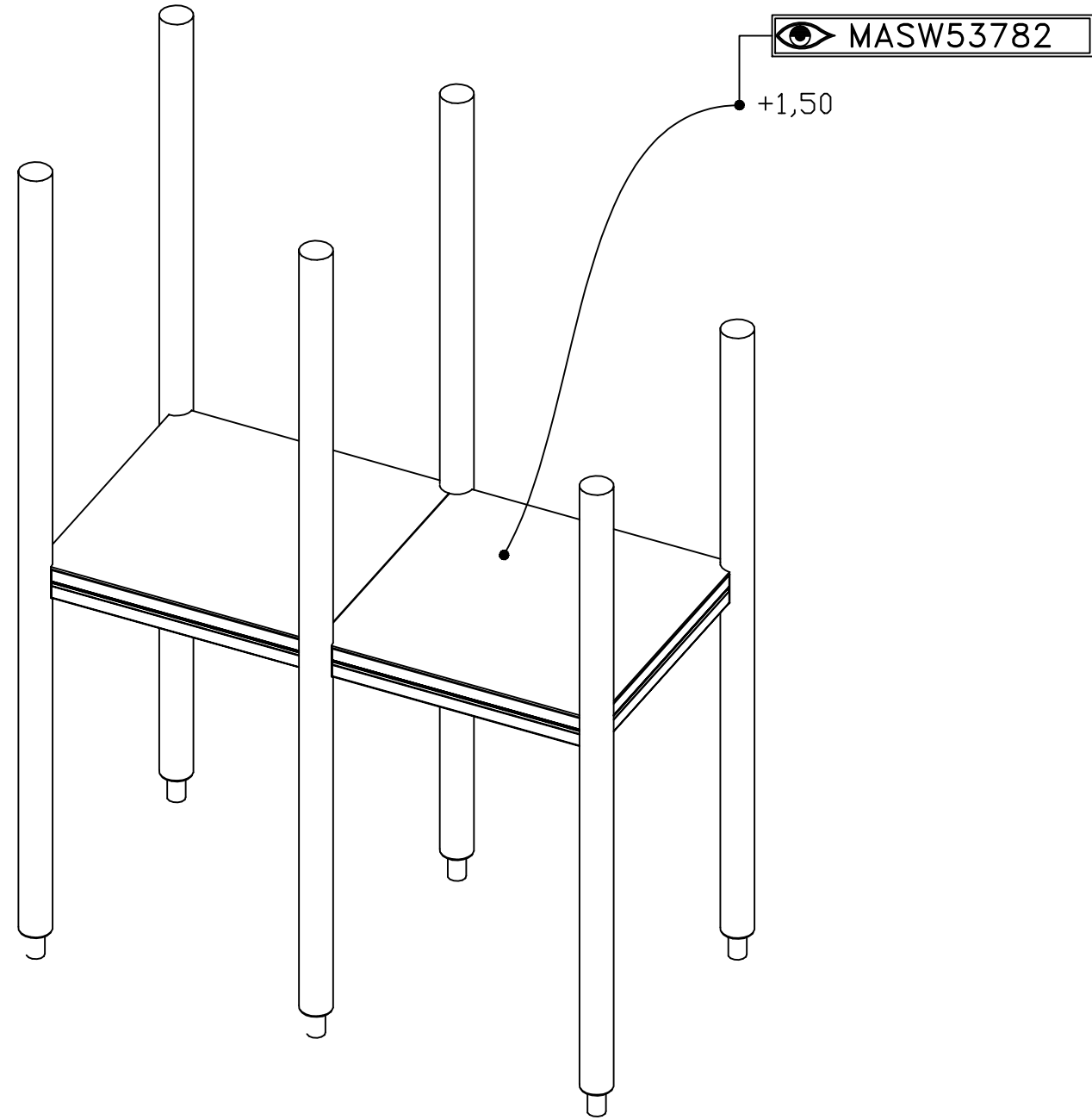
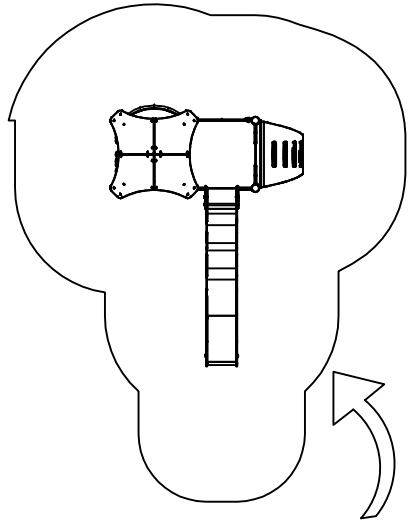
HAGS ANEBY, SWEDEN
+46(0)380-47300
www.hags.com

UniPlay Maver
MASW65049
2/6

LN JN 2018-02-14 0

STEP 1

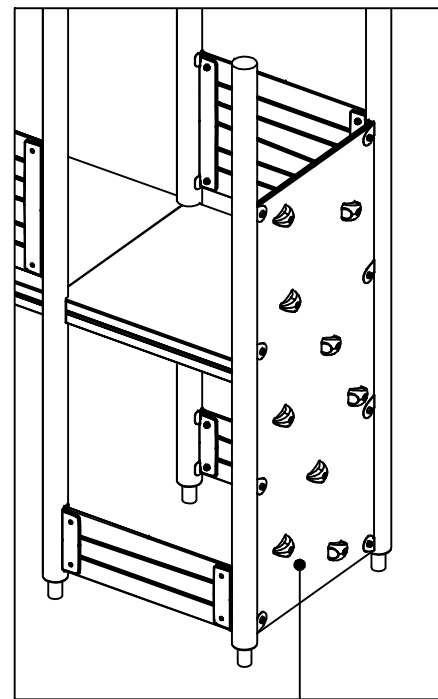
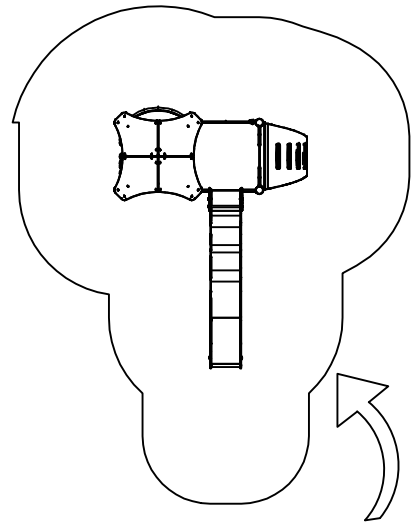
[m]



| | |
|-----------------------------------|--|
| HAGS | ANEBY, SWEDEN +46(0)380-47300 www.hags.com |
| UniPlay Maver MASW65049 3/6 | |
| LN | JN 2018-02-14 0 |

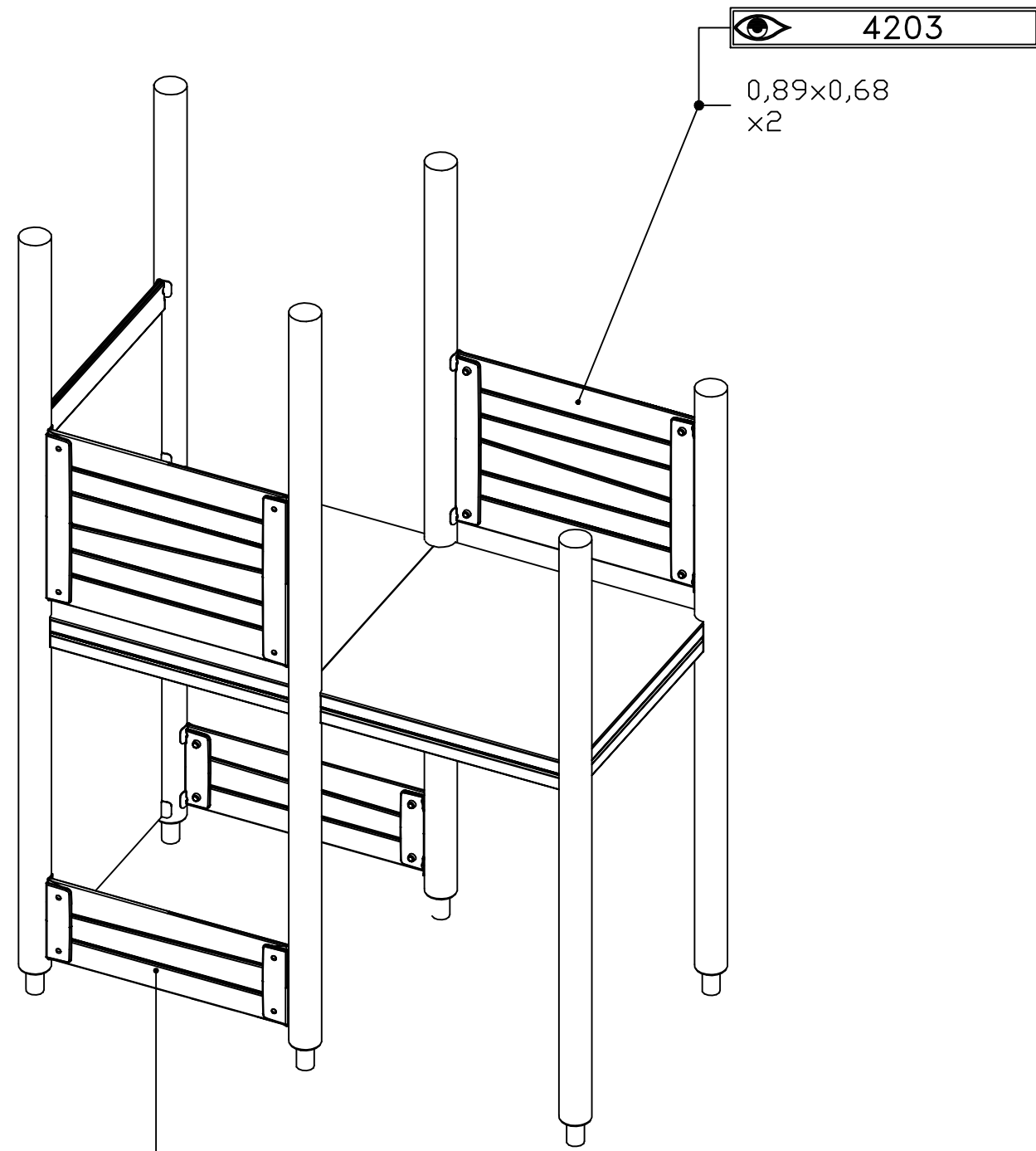
STEP 2

[m]



180°

MASW42099



4203

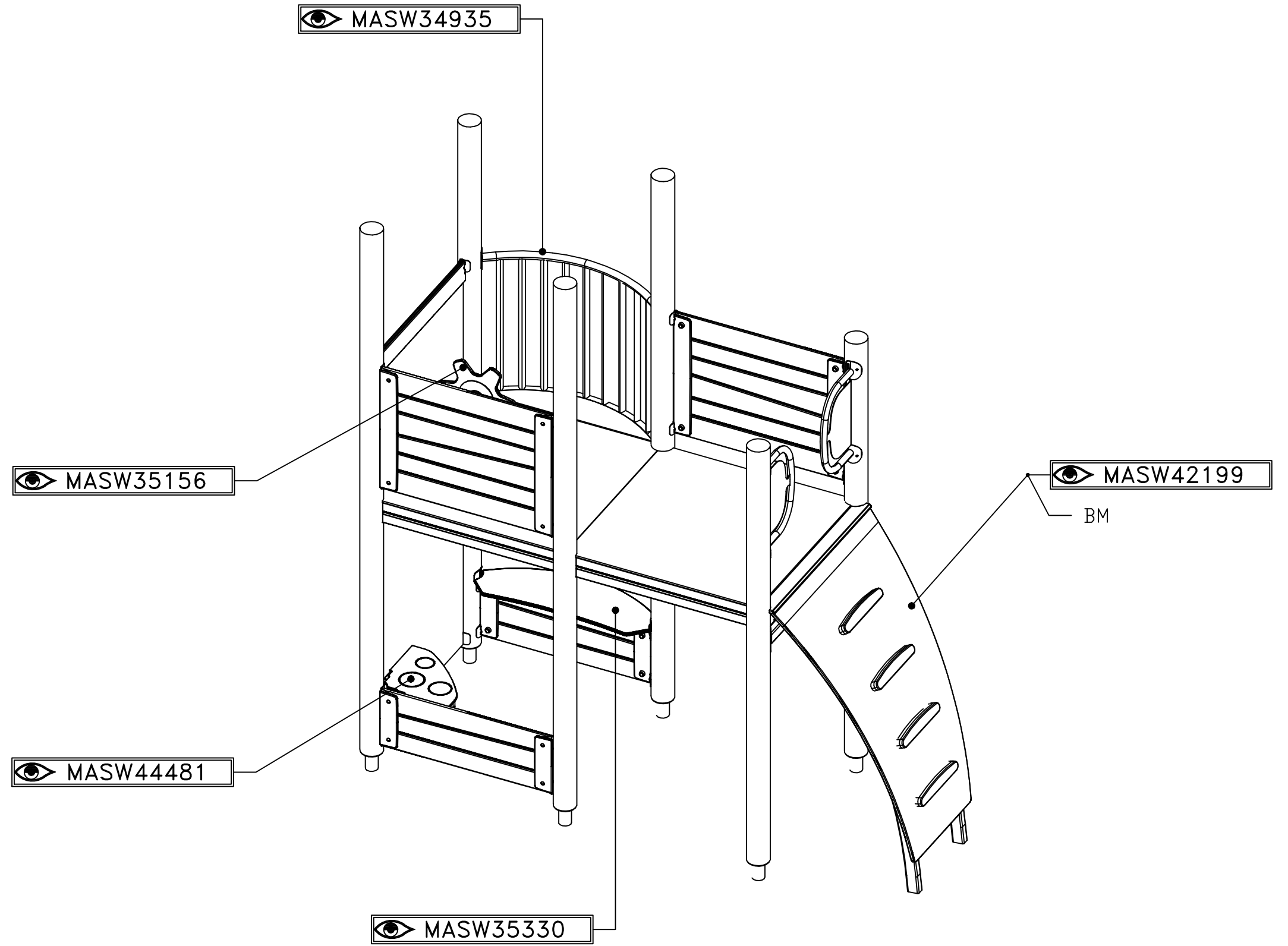
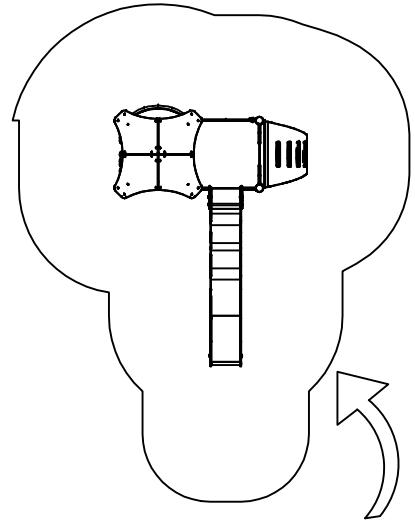
0,89x0,68
x2

0,89x0,32
x2

HAGS ANEBY, SWEDEN
+46(0)380-47300
www.hags.com

UniPlay Maver
MASW65049
4/6

LN JN 2018-02-14 0



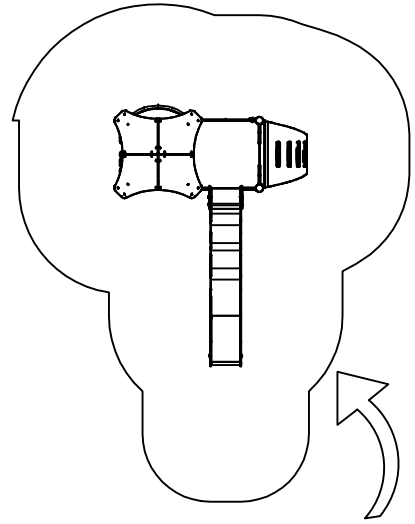
HAGS ANEBY, SWEDEN
+46(0)380-47300
www.hags.com

UniPlay Maver
MASW65049
5/6

LN JN 2018-02-14 0

STEP 4


[m]

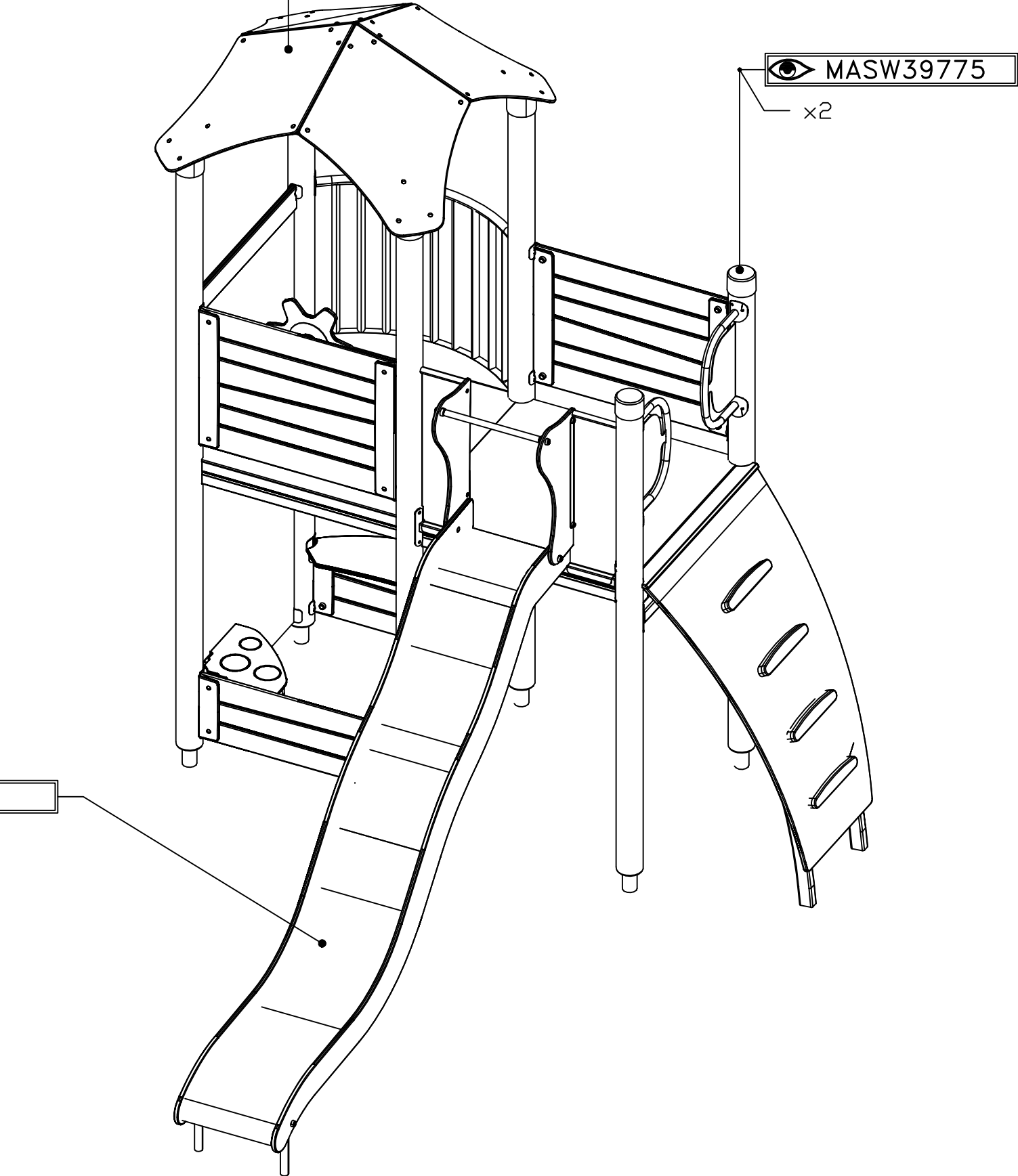




 MASW41284

 MASW39775

x2

 424213



| | |
|--|---|
| HAGS | ANEBY, SWEDEN +46(0)380-47300 www.hags.com |
| UniPlay Maver MASW65049 6/6 | |
|  LN |  JN 2018-02-14 0 |