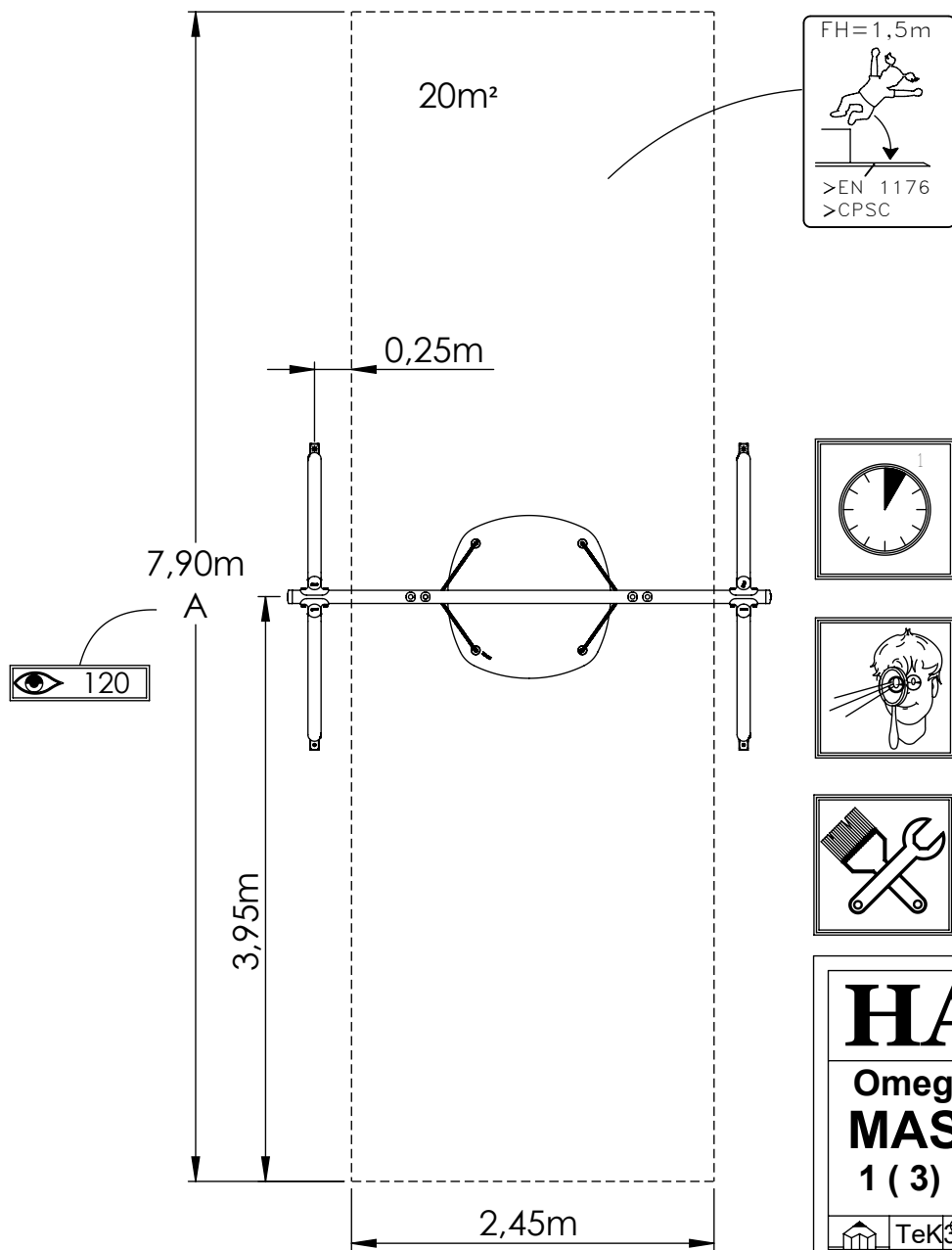


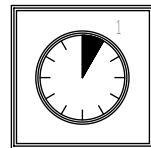
4x24h

>C20/25
S1-S3

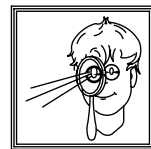
101



120



2,5h



Varje vecka
Every week
Jede woche
Chaque semaine



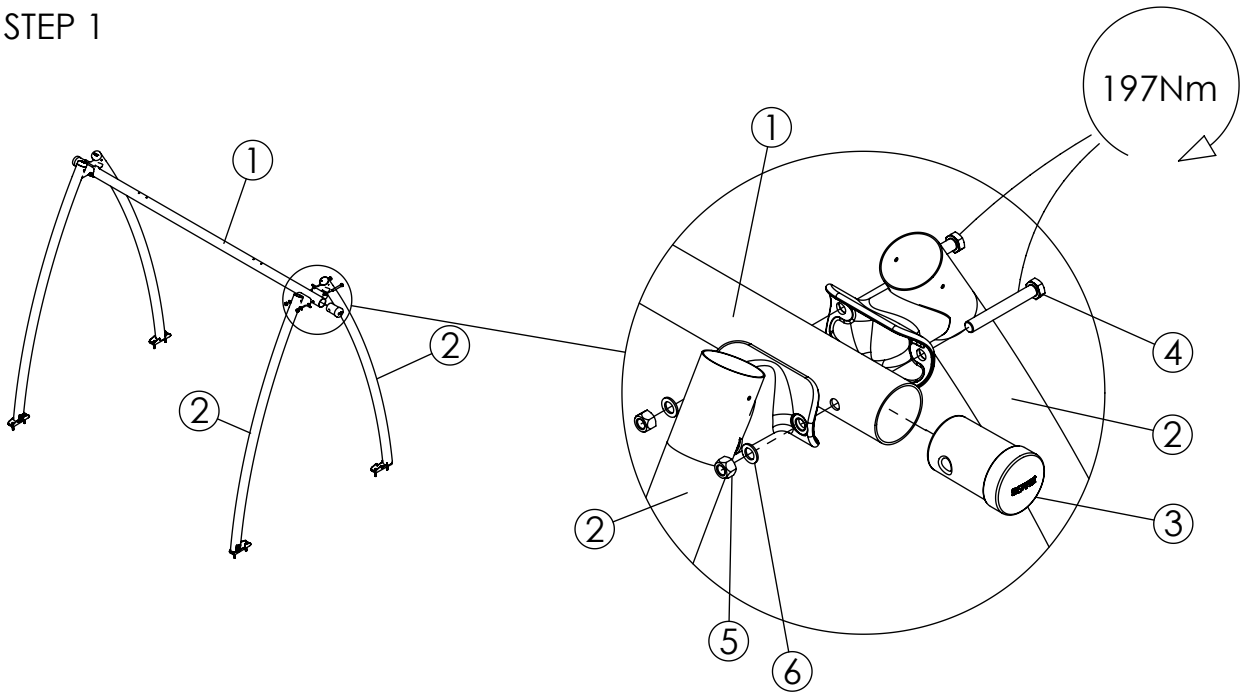
Varje säsong
Every season
Jedes Jahr
Chaque saison

HAGS ANEBY, SWEDEN
+46(0)380-47300
www.hags.com

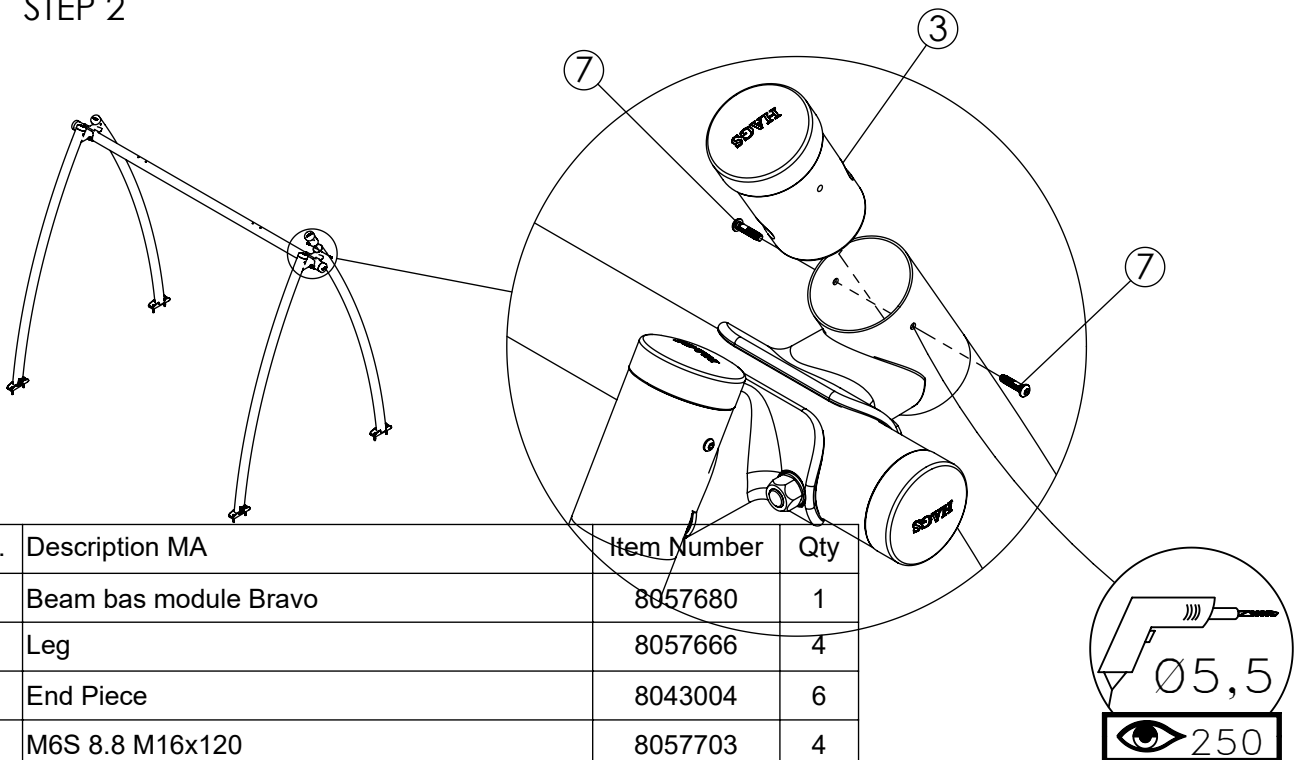
Omega Bravo OM
MASW51334
1 (3)

Tek 3 10

STEP 1



STEP 2



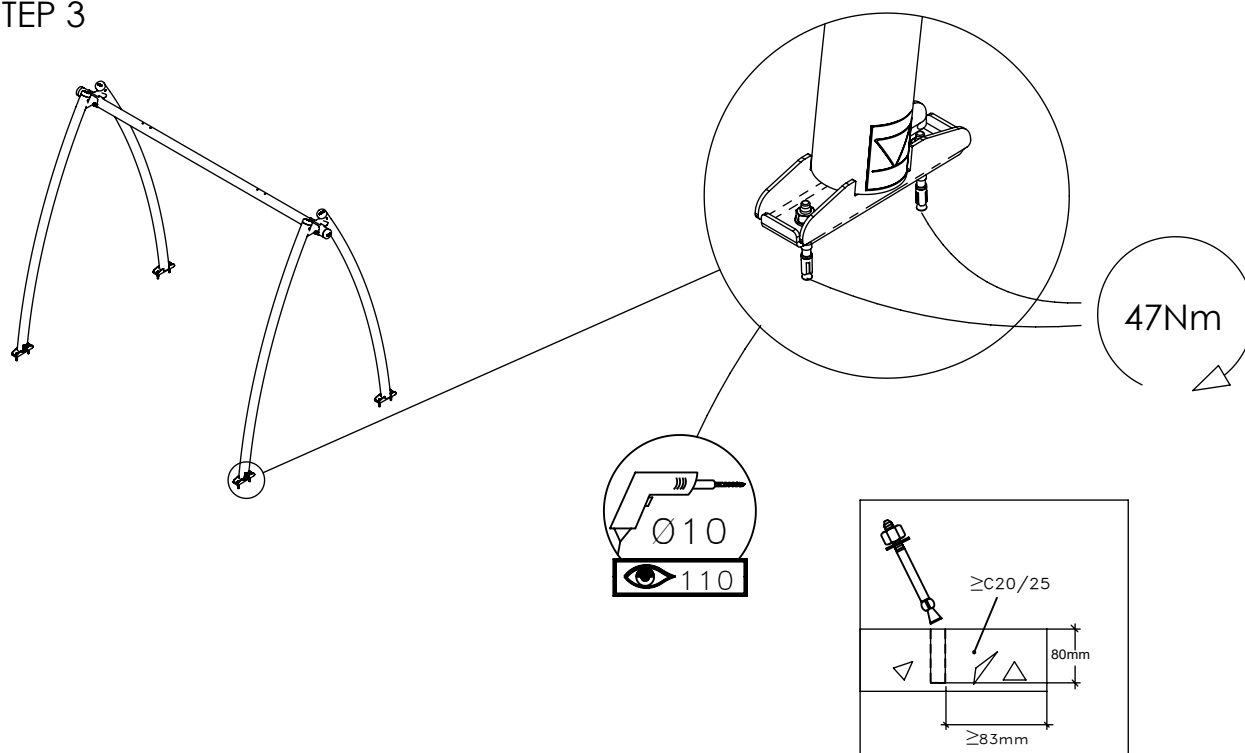
NR.	Description MA	Item Number	Qty
1	Beam bas module Bravo	8057680	1
2	Leg	8057666	4
3	End Piece	8043004	6
4	M6S 8.8 M16x120	8057703	4
5	M6M -8 M16	8042812	8
6	Ø17x28x2,5	8058078	4
7	Screw, thr-forming M6x25-8.8-(ISO7380)	8027762	8
8			1
9	MF6S M6x20 mm		1
10	Lock Nut M6	324001	1
11			1
12	MF6S M6x20 mm		1
13	Lock Nut M6	324001	1

HAGS ANEBY, SWEDEN
+46(0)380-47300
www.hags.com

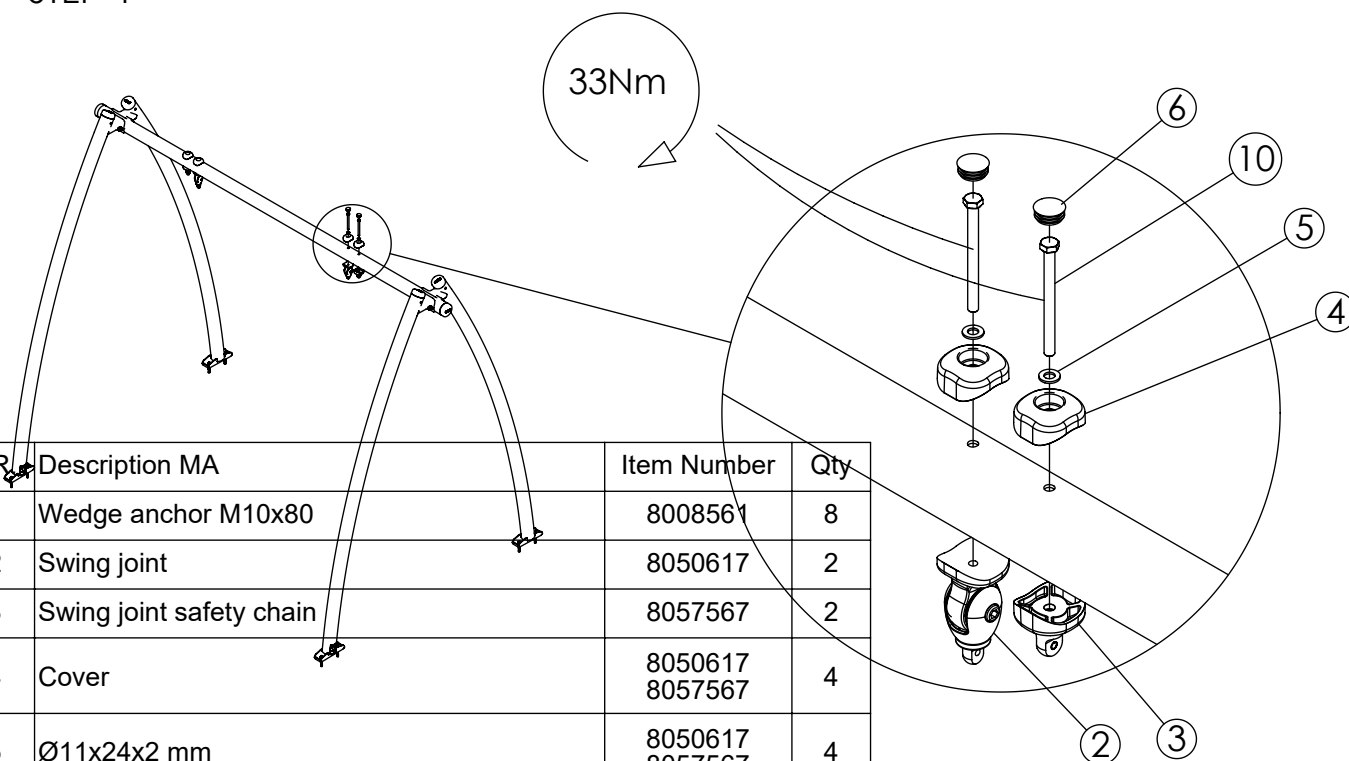
**Omega Bravo OM
MASW51334
2 (3)**

Tek 3 10

STEP 3



STEP 4



NR	Description MA	Item Number	Qty
1	Wedge anchor M10x80	8008561	8
2	Swing joint	8050617	2
3	Swing joint safety chain	8057567	2
4	Cover	8050617 8057567	4
5	Ø11x24x2 mm	8050617 8057567	4
6	Top cover	8050617 8057567	4
7			1
8	MF6S M6x20 mm		1
9	Lock Nut M6	324001	1
10	Screw, ISO4014-M10x120 A2-70		4
11			1
12	MF6S M6x20 mm		1
13	Lock Nut M6	324001	1

HAGS ANEBY, SWEDEN
+46(0)380-47300
www.hags.com

**Omega Bravo OM
MASW51334
3 (3)**