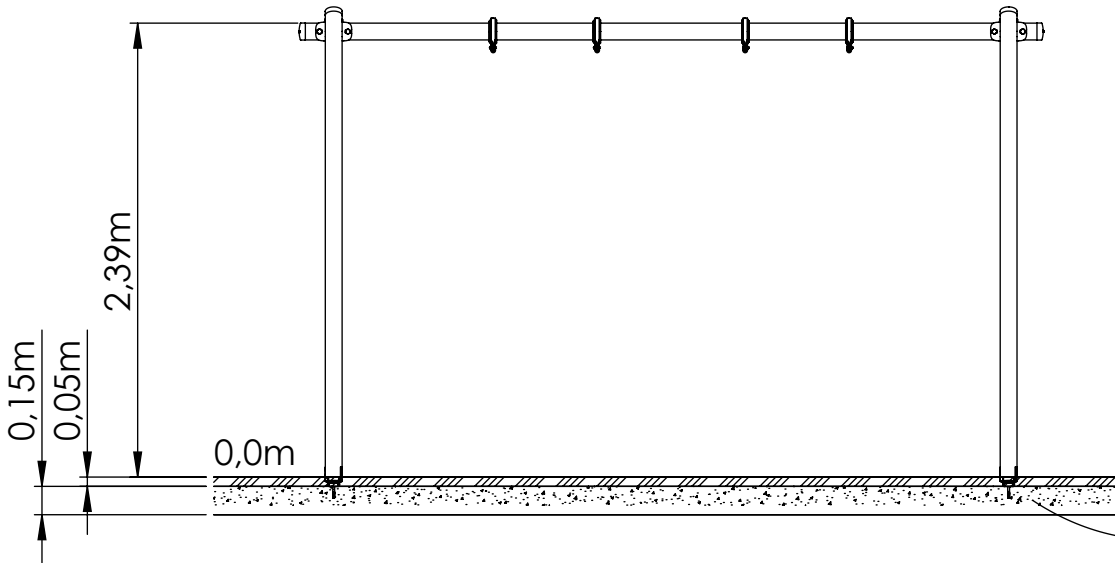


HAGS ANEBY, SWEDEN
+46(0)380-47300
www.hags.com

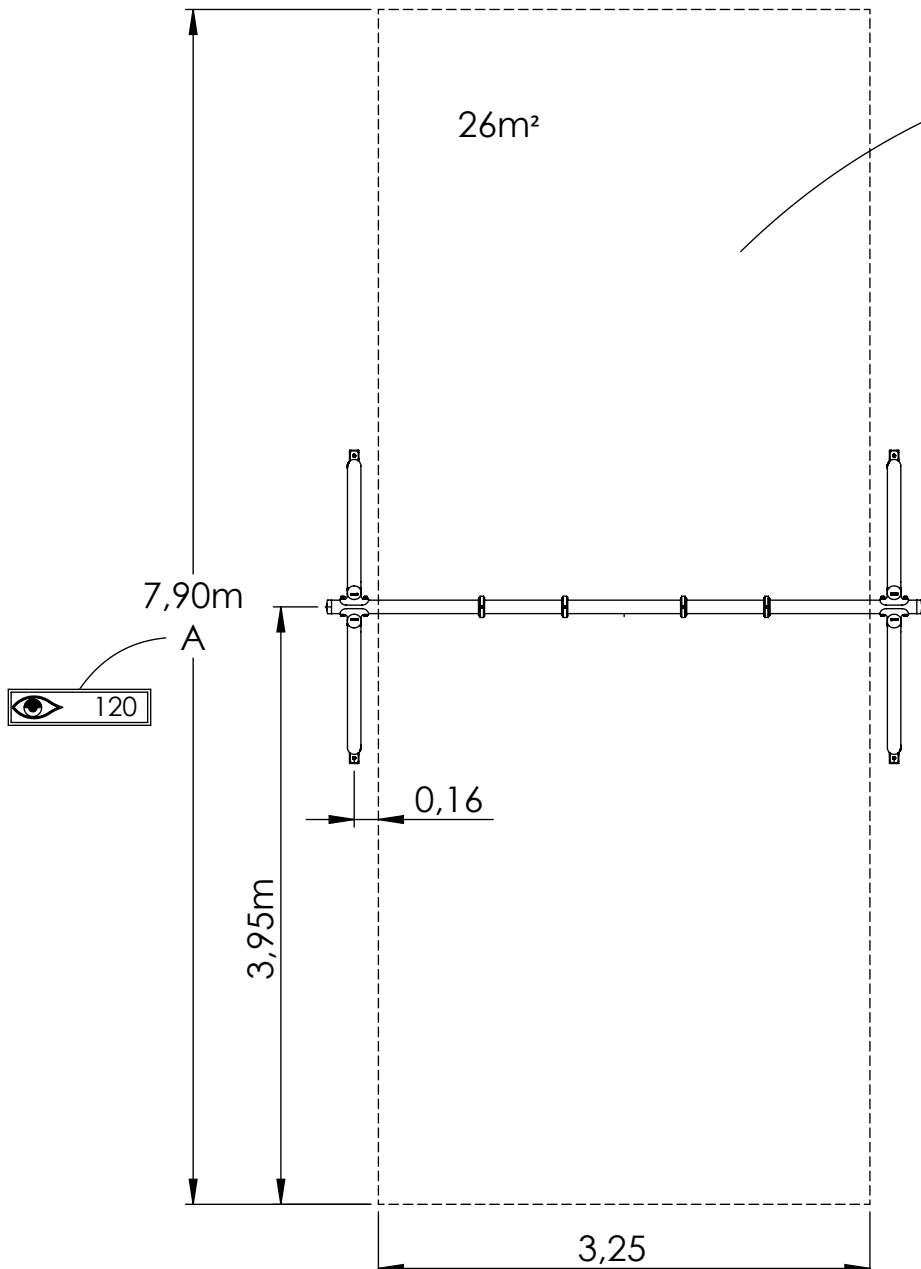
Omega 2-pl OM
MASW51357
1 (4)

TeK PK 2022-09-15 6



4x24h

>C20/25
S1-S3

 101


FH=1,5m

>EN 1176
>CPSC

1

2,0h

Varje vecka
Every week
Jede woche
Chaque semaine

Varje säsong
Every season
Jedes Jahr
Chaque saison

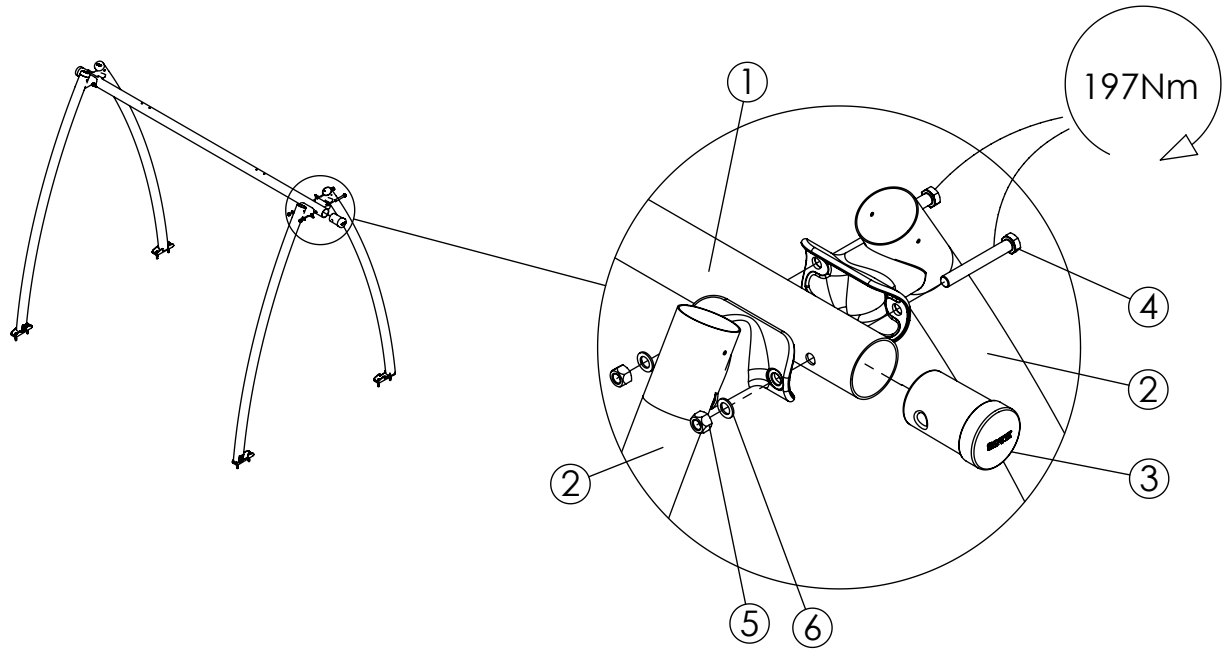
2-12

HAGS ANEBY, SWEDEN
+46(0)380-47300
www.hags.com

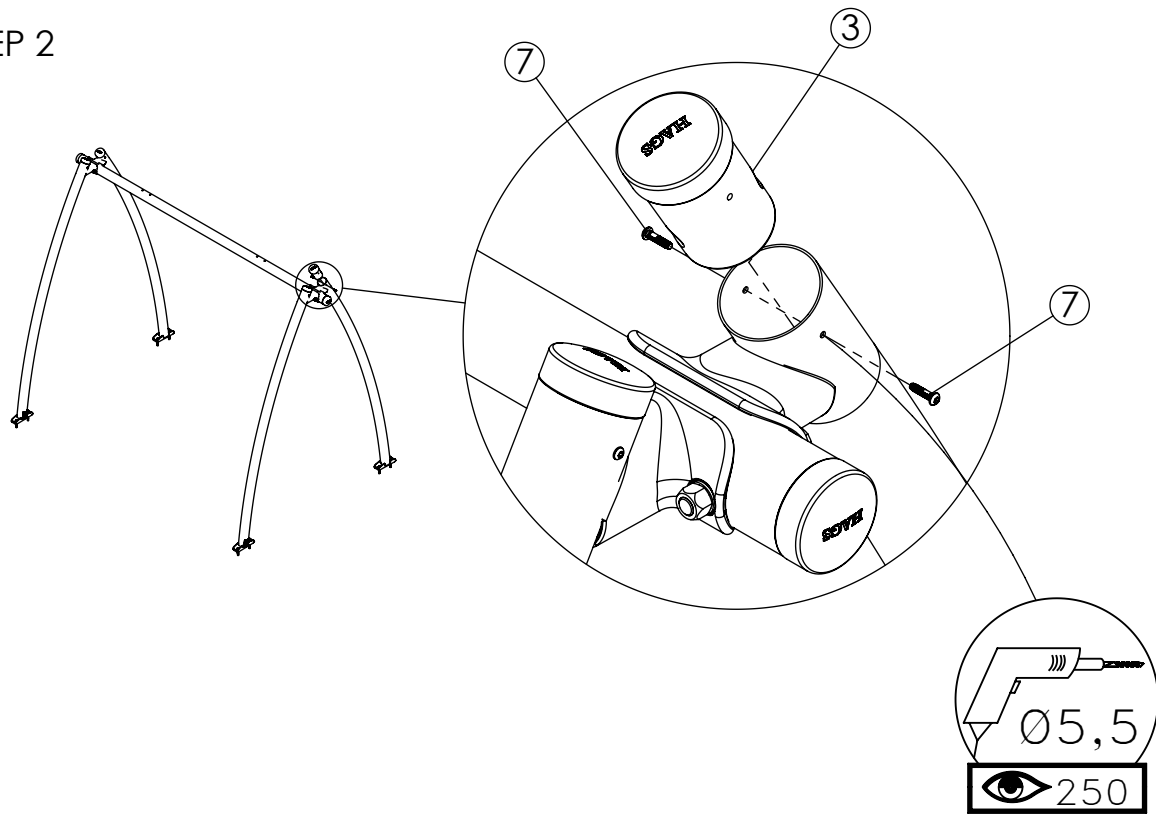
Omega 2-pl OM
MASW51357
2 (4)

TeK PK 2022-09-15 6

STEP 1



STEP 2



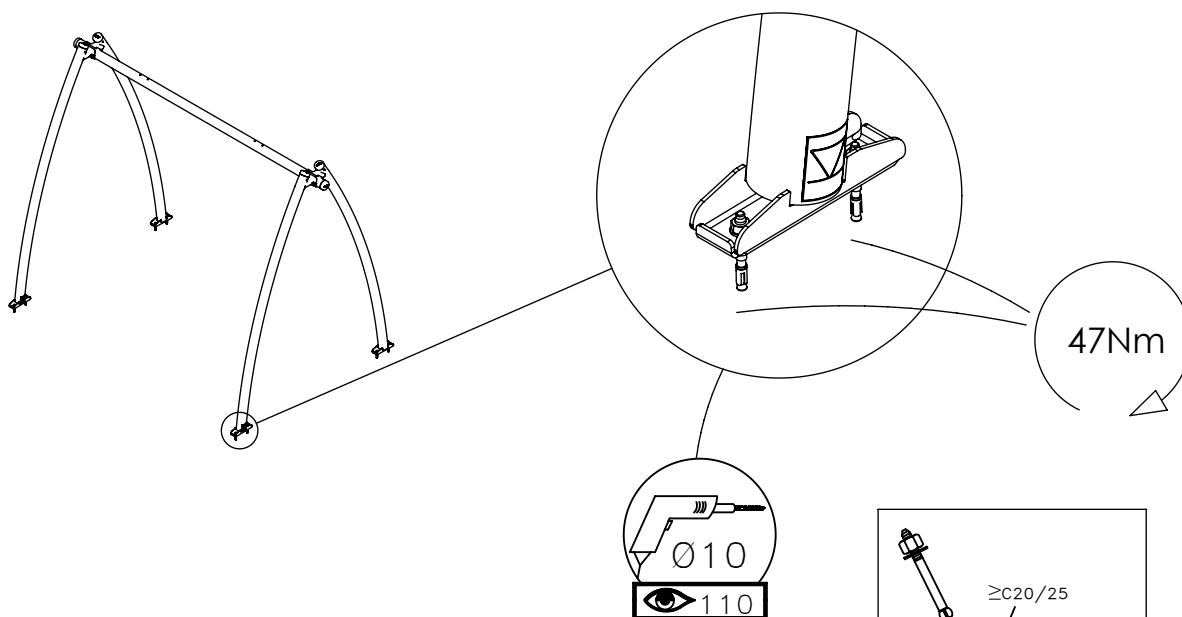
NR.	Description MA	Item Number	Qty
1	Beam bas module 2-pl	8057738	1
2	Leg	8057666	4
3	End piece	8043004	6
4	M6S 8.8 M16x120	8057703	4
5	M6M -8 M16	8042812	4
6	Ø17x28x2,5	8058078	4
7	M6x25 KTS-TT	8027762	8

HAGS ANEBY, SWEDEN
+46(0)380-47300
www.hags.com

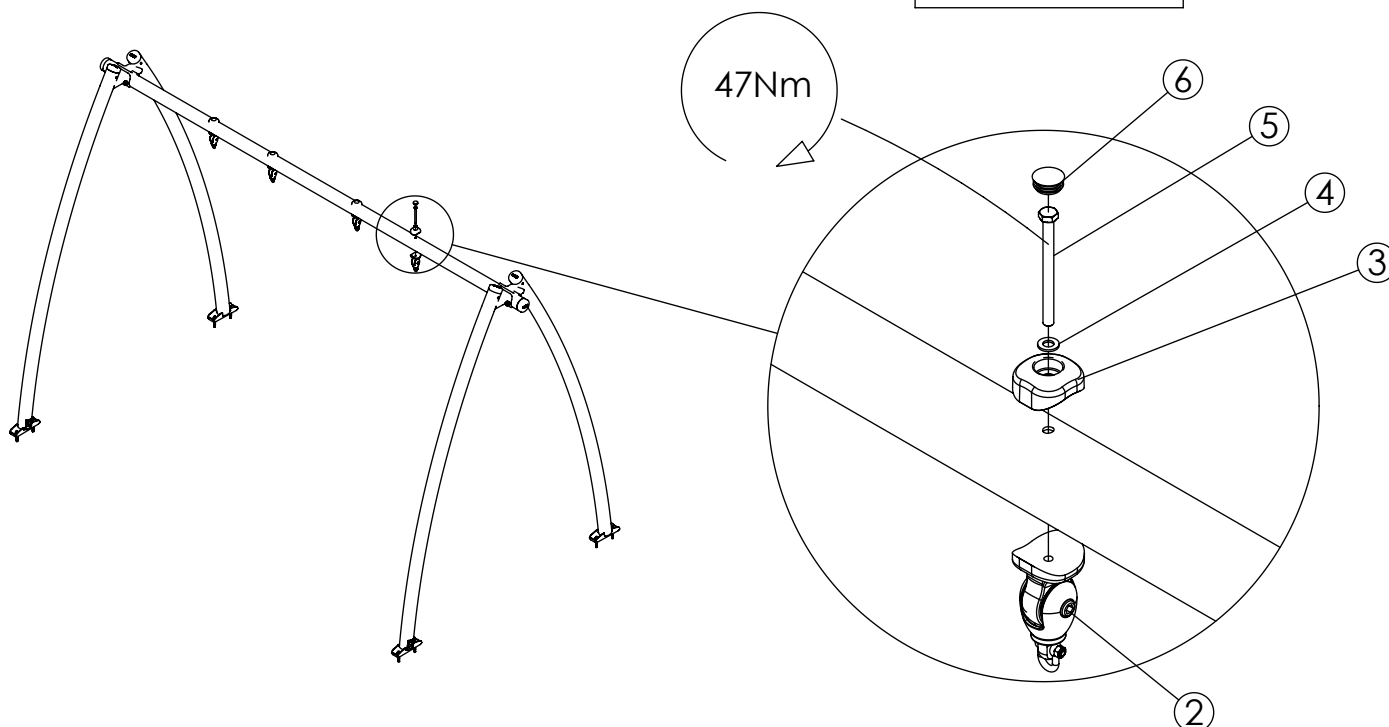
Omega 2-pl OM
MASW51357
3 (4)

TeK PK 2022-09-15 | 6

STEP 3



STEP 4



NR.	Description MA	Item Number	Qty
1	Wedge anchor M10x80	8008561	8
2	Swing joint	8050617	4
3	Cover	8050617	4
4	Ø11x24x2 mm	8050617	4
5	M6S M10x120 mm	8050617	4
6	Top cover	8050617	4

HAGS ANEBY, SWEDEN
+46(0)380-47300
www.hags.com

Omega 2-pl OM
MASW51357
4 (4)

TeK PK 2022-09-15 6