

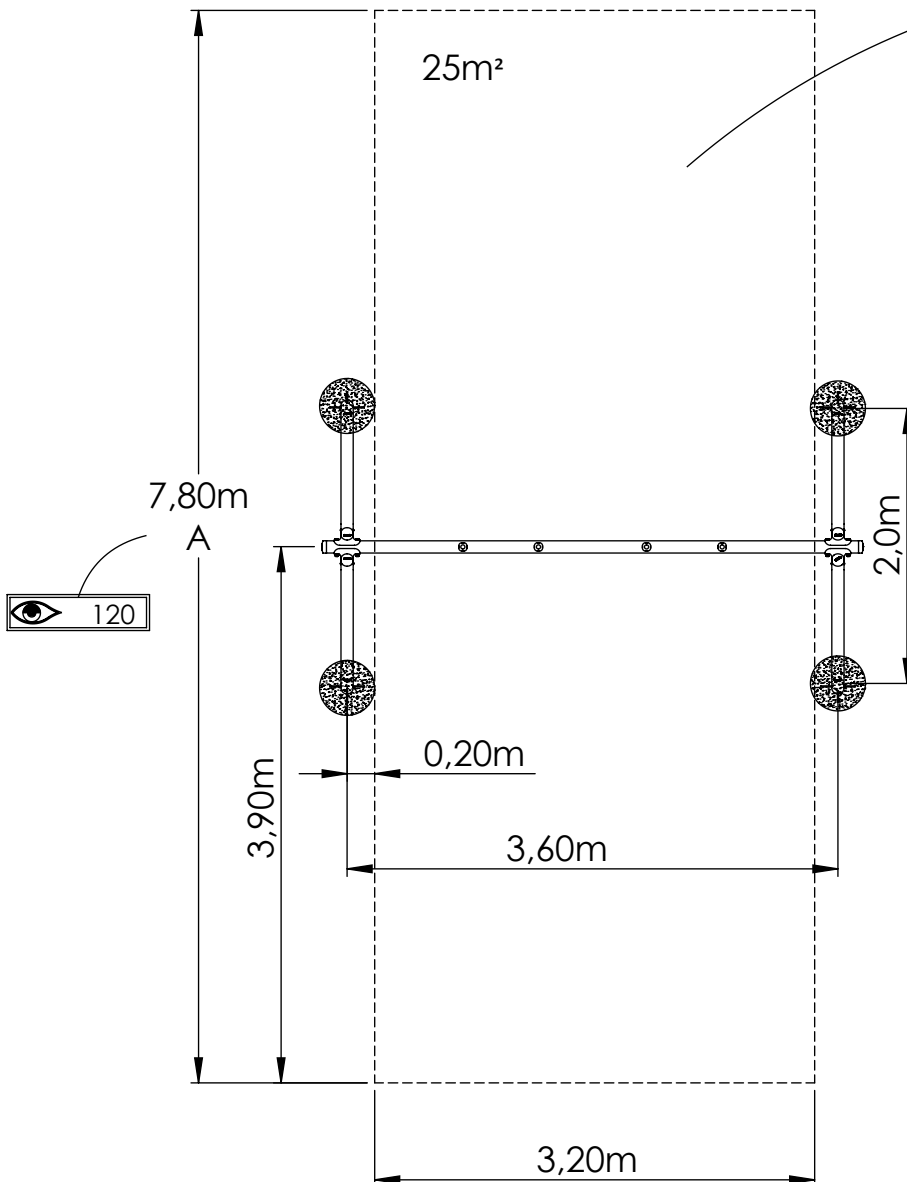
4x24h

>C20/25
S1-S3

 101

FH=1,5m

>EN 1176
>CPSC



120

 1

2,0h

Varje vecka
Every week
Jede woche
Chaque semaine

Varje säsong
Every season
Jedes Jahr
Chaque saison

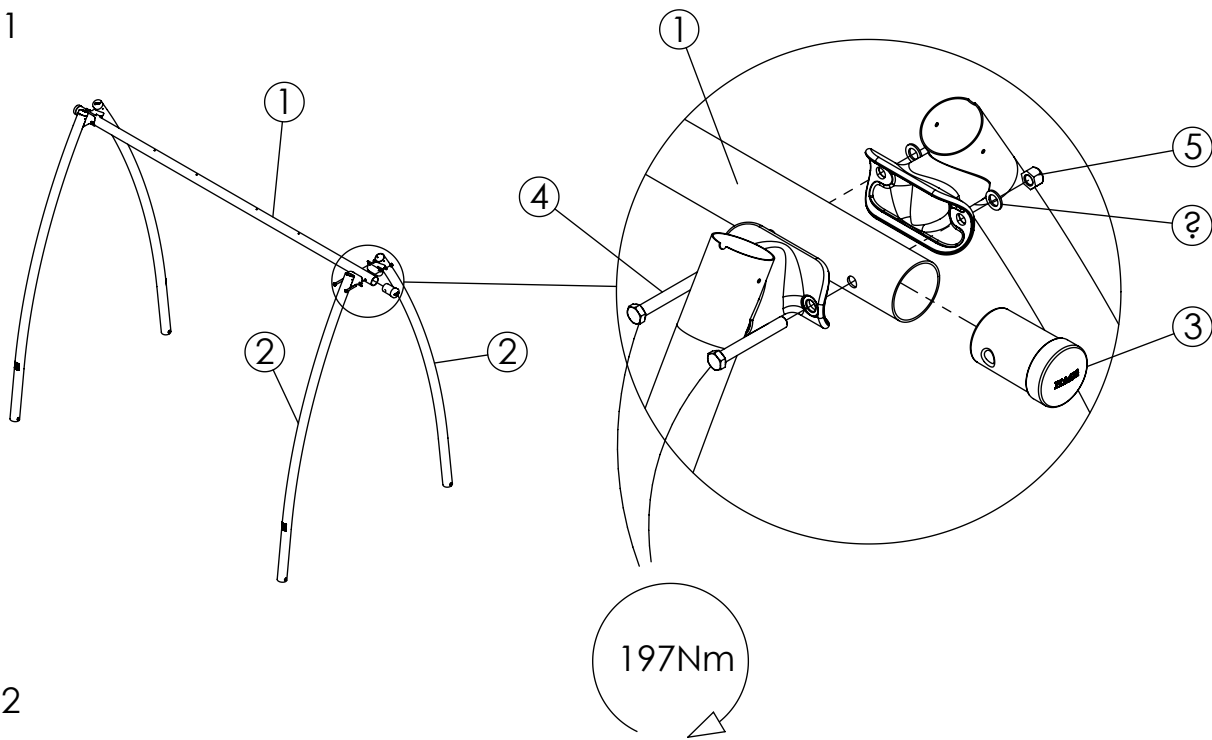
2-12

HAGS ANEBY, SWEDEN
+46(0)380-47300
www.hags.com

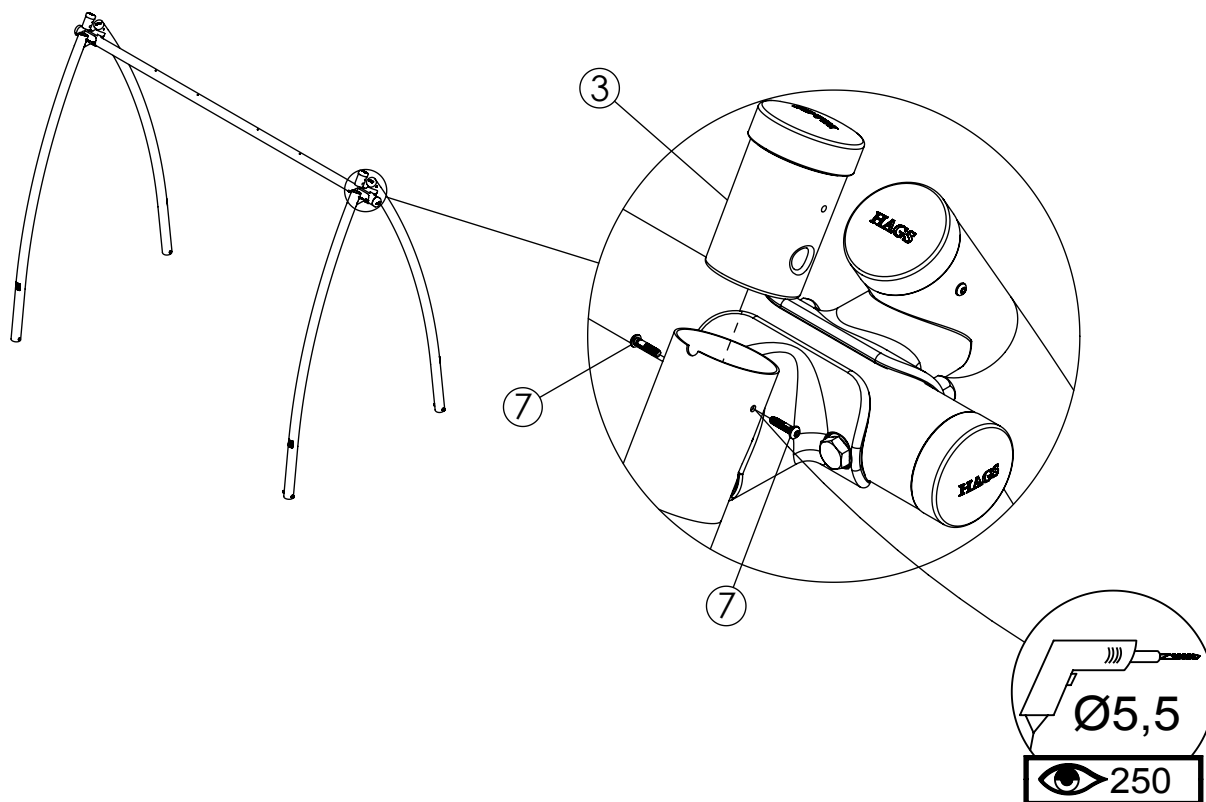
Omega 2-pl CC
MASW51387
1 (3)

Tek 3 SSV 2018-04-13 5

STEP 1



STEP 2



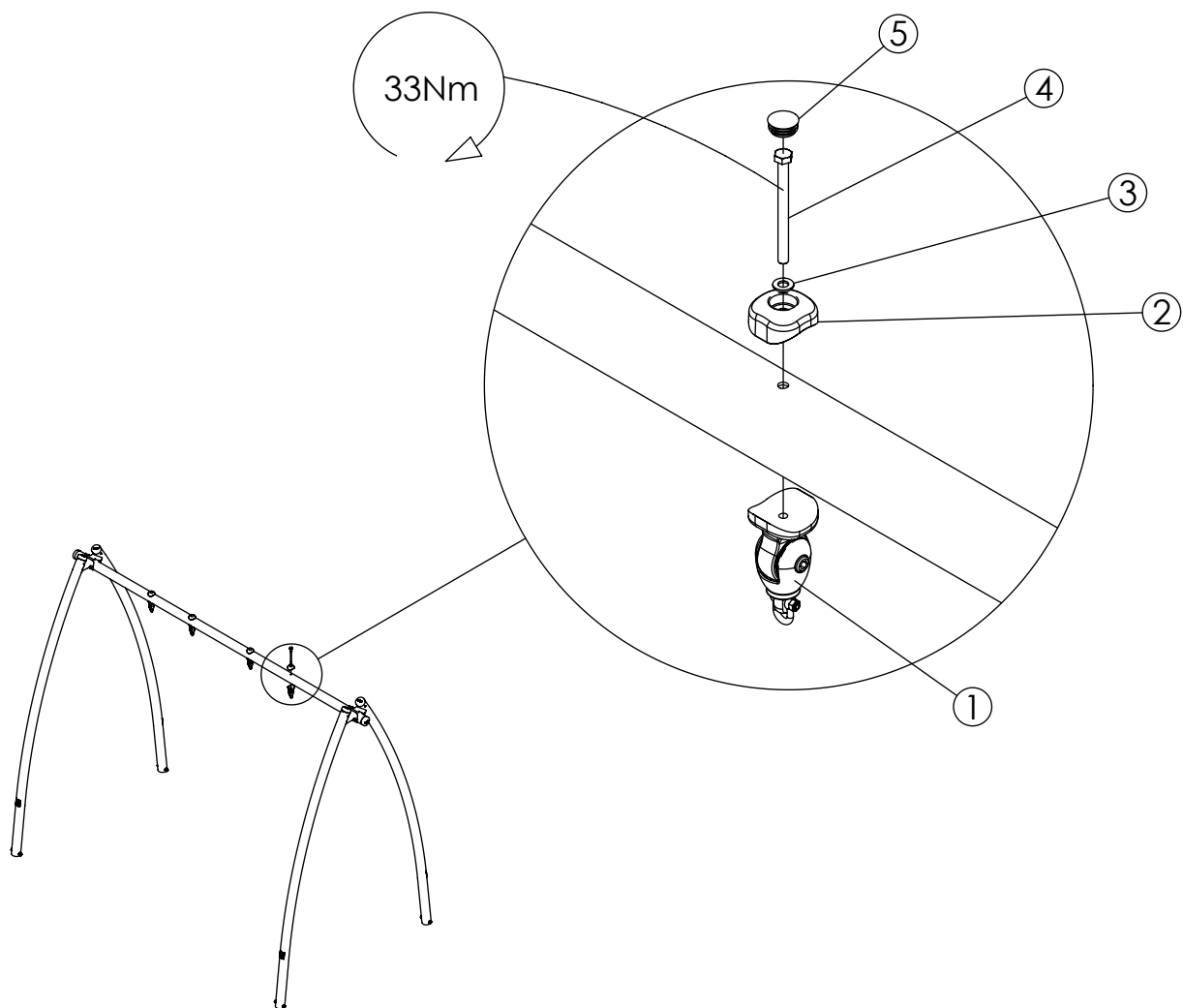
NR.	Description MA	Item Number	Qty
1	Beam Bas module 2-pl	8057738	1
2	Leg	8057744	4
3	End piece	8043004	6
4	M6S 8.8 M16x120	8057703	4
5	M6M -8 M16	8042812	4
6	Ø17x28x2,5	8058078	8
7	Screw, thr-forming M6x25-8.8-(ISO7380)	8027762	8

HAGS ANEBY, SWEDEN
+46(0)380-47300
www.hags.com

**Omega 2-pl CC
MASW51387
2 (3)**

Tek 3 SSV 2018-04-13 5

STEP 3



NR.	Description MA	Item Number	Qty
1	Swing joint	8050617	4
2	Cover	8050617	4
3	Ø11x24x2	8050617	4
4	M6S M10x120 mm	8050617	4
5	Top cover	8050617	4

HAGS ANEBY, SWEDEN
+46(0)380-47300
www.hags.com

Omega 2-pl CC
MASW51387
3 (3)

2018-04-13 | 5