

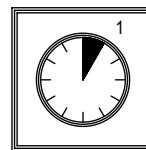
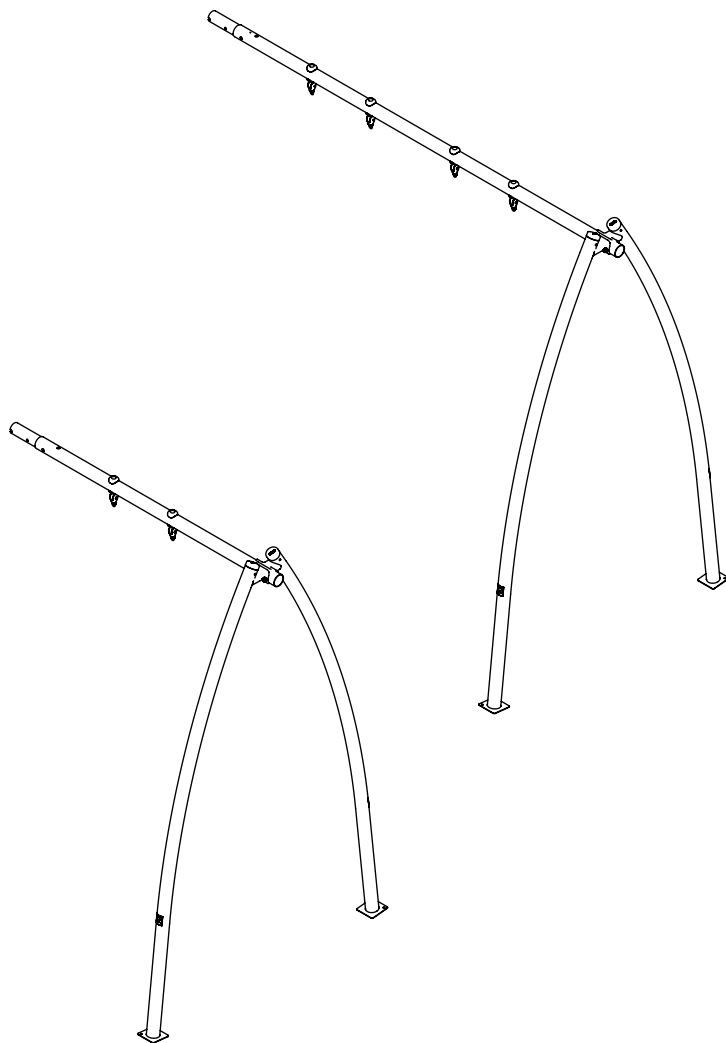
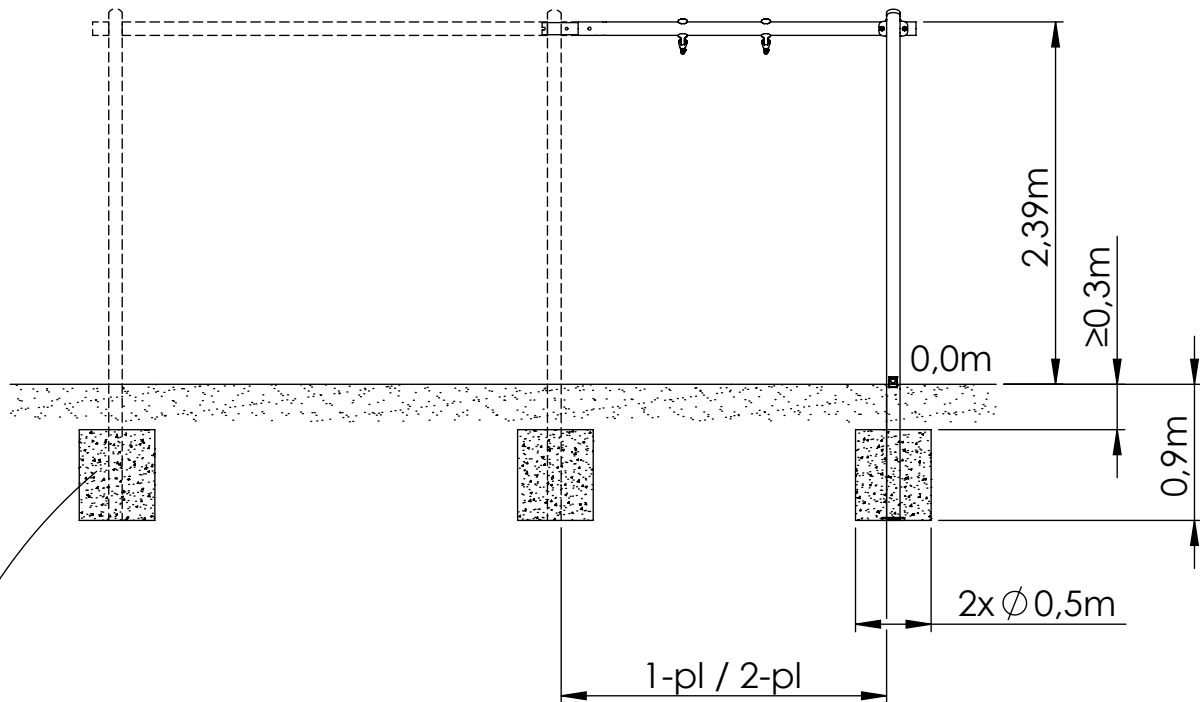


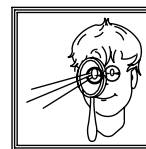
4x24h



≥C20/25  
S1-S3

 101


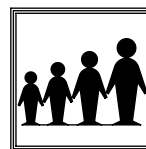
2,0h



Varje vecka  
Every week  
Jede woche  
Chaque semaine



Varje säsong  
Every season  
Jedes Jahr  
Chaque saison



2-12

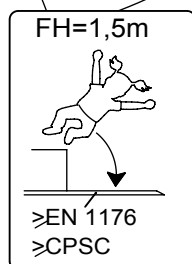
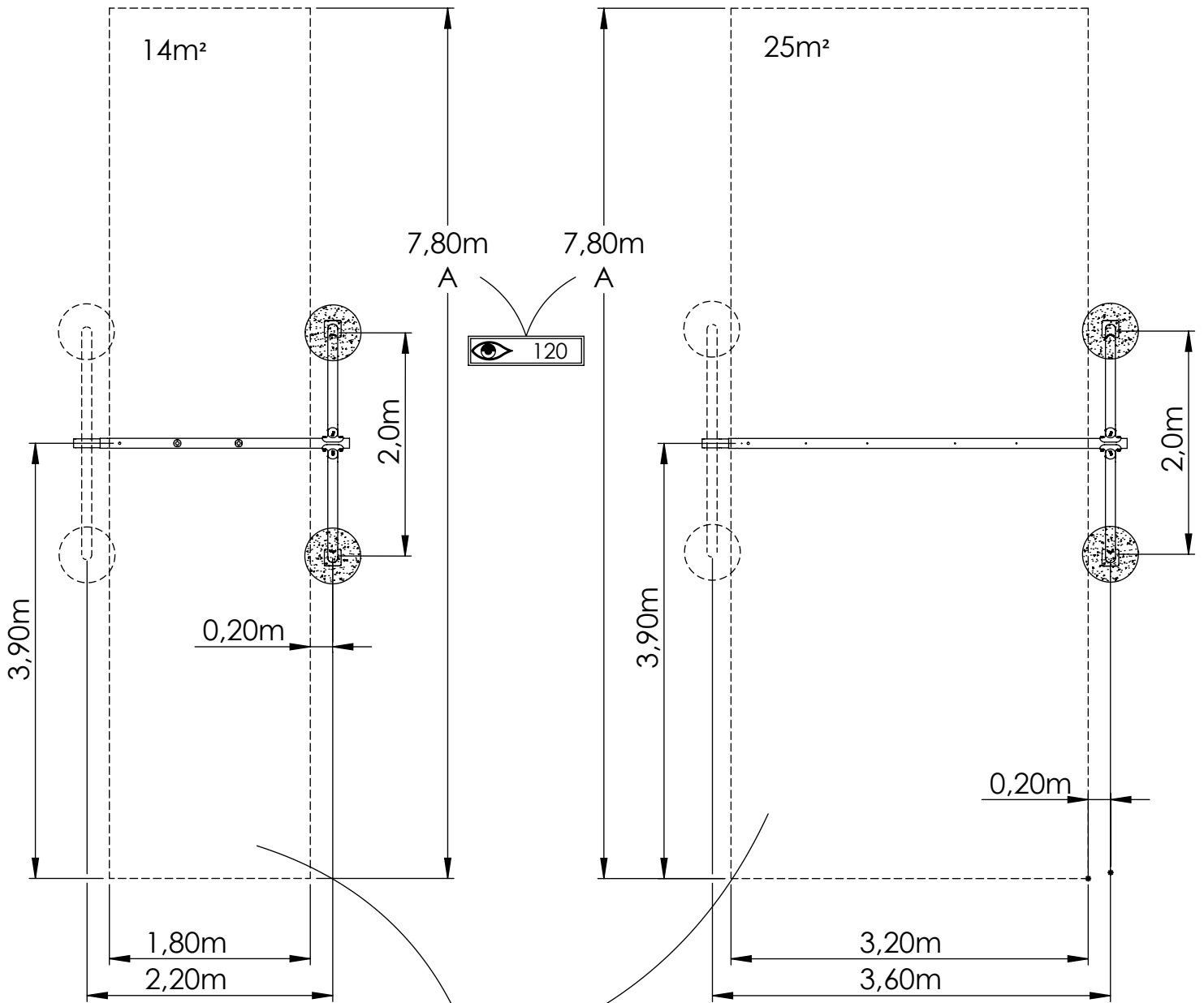
**HAGS** ANEBY, SWEDEN  
+46(0)380-  
47300  
www.hags.com

Omega add. module CC  
**MASW51391**

1 ( 5 )

Additional module 1-pl

Additional module 2-pl

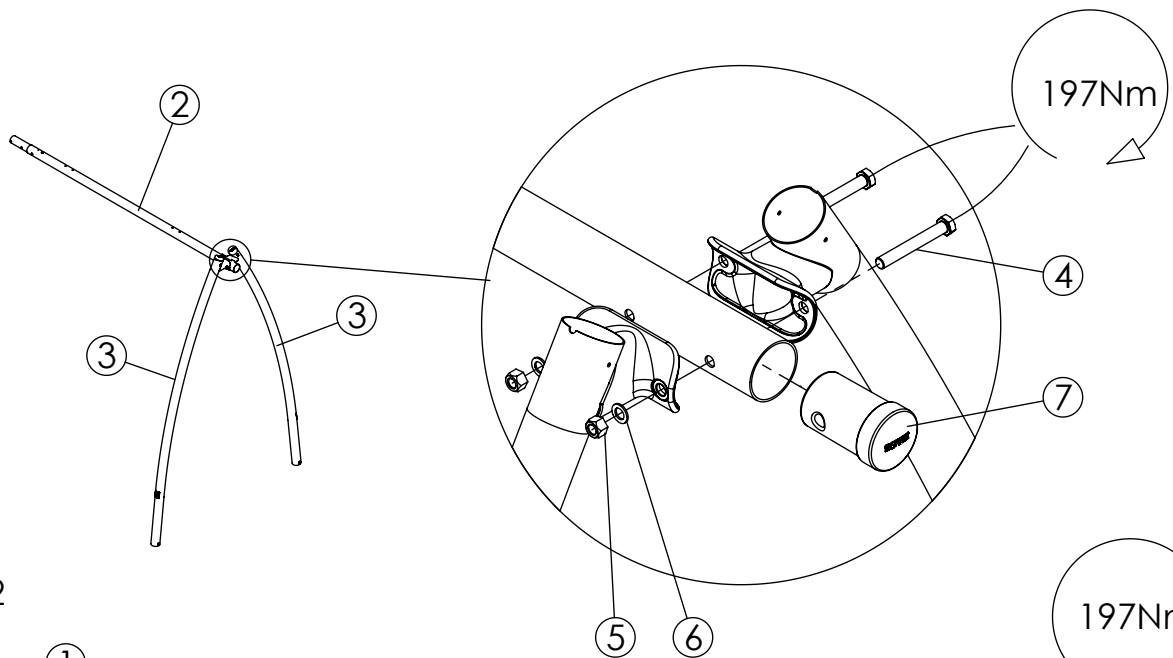


**HAGS** ANEBY, SWEDEN  
+46(0)380-47300  
www.hags.com

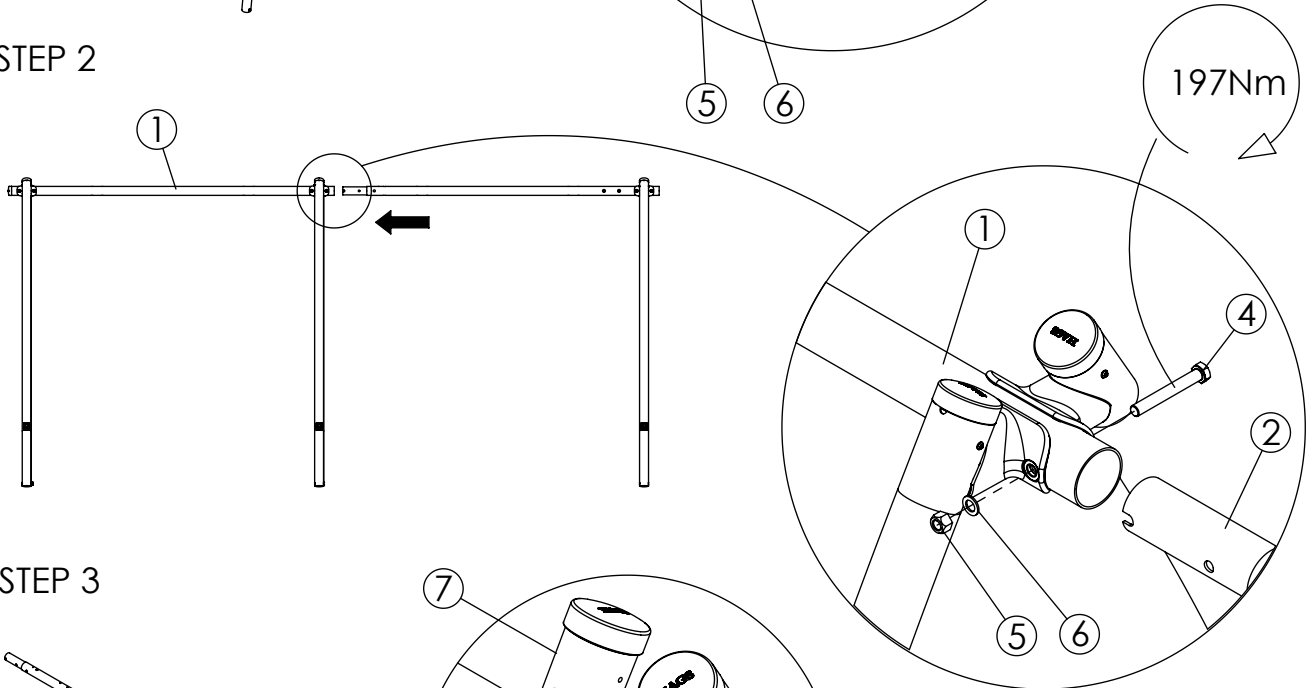
**Omega add. module CC**  
**MASW51391**  
**2 ( 5 )**

TeK 3 SSV 2018-05-14 5

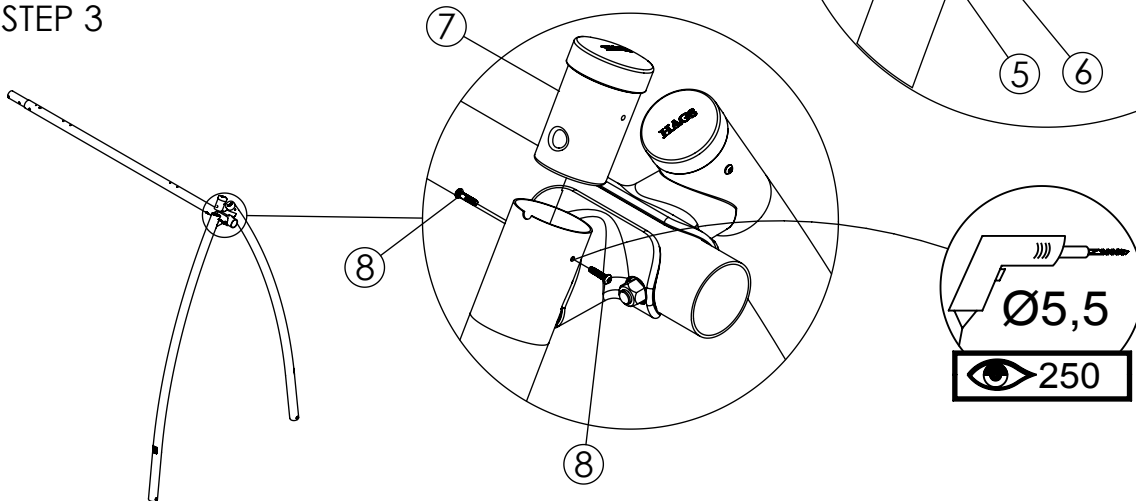
STEP 1



STEP 2



STEP 3



NR.	Description MA	Item Number	Qty
1	Omega		1
2	Beam Additional module	8057739 8057741	1
3	Leg	8057744	2
4	M6S 8.8 M16x120	8057703	2
5	M6M -8 M16	8042812	2
6	Ø17x28x2,5	8058078	2
7	End piece	8043004	3
8	KTS-GF M6x25	8027762	4

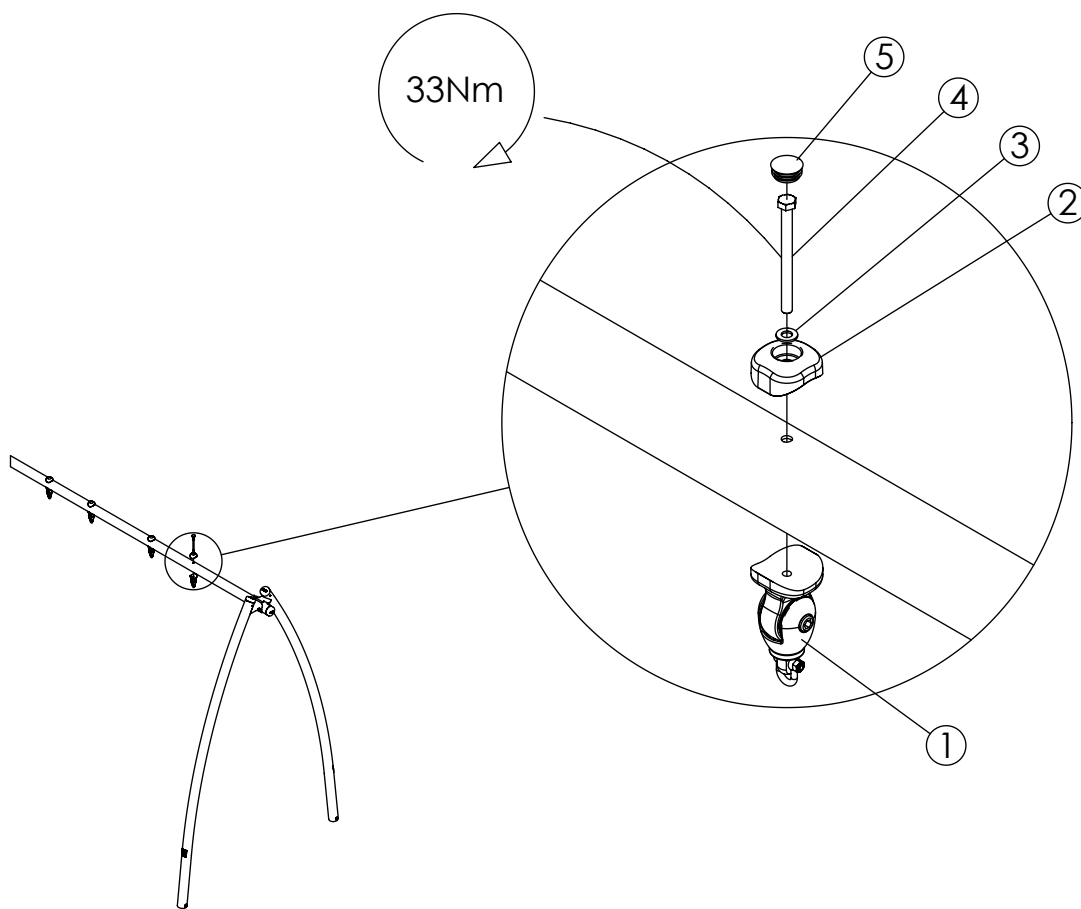
**HAGS** ANEBY, SWEDEN  
+46(0)380-47300  
www.hags.com

**Omega add. module CC  
MASW51391  
3 ( 5)**

TeK SSV 2018-05-14 5

# Additional module 2-pl

## STEP 4



NR.	Description MA	Item Number	Qty
1	Swing joint	8050617	4
2	Cover	8050617	4
3	Ø11x24x2	8050617	4
4	M6S M10x120 mm	8050617	4
5	Top cover	8050617	4

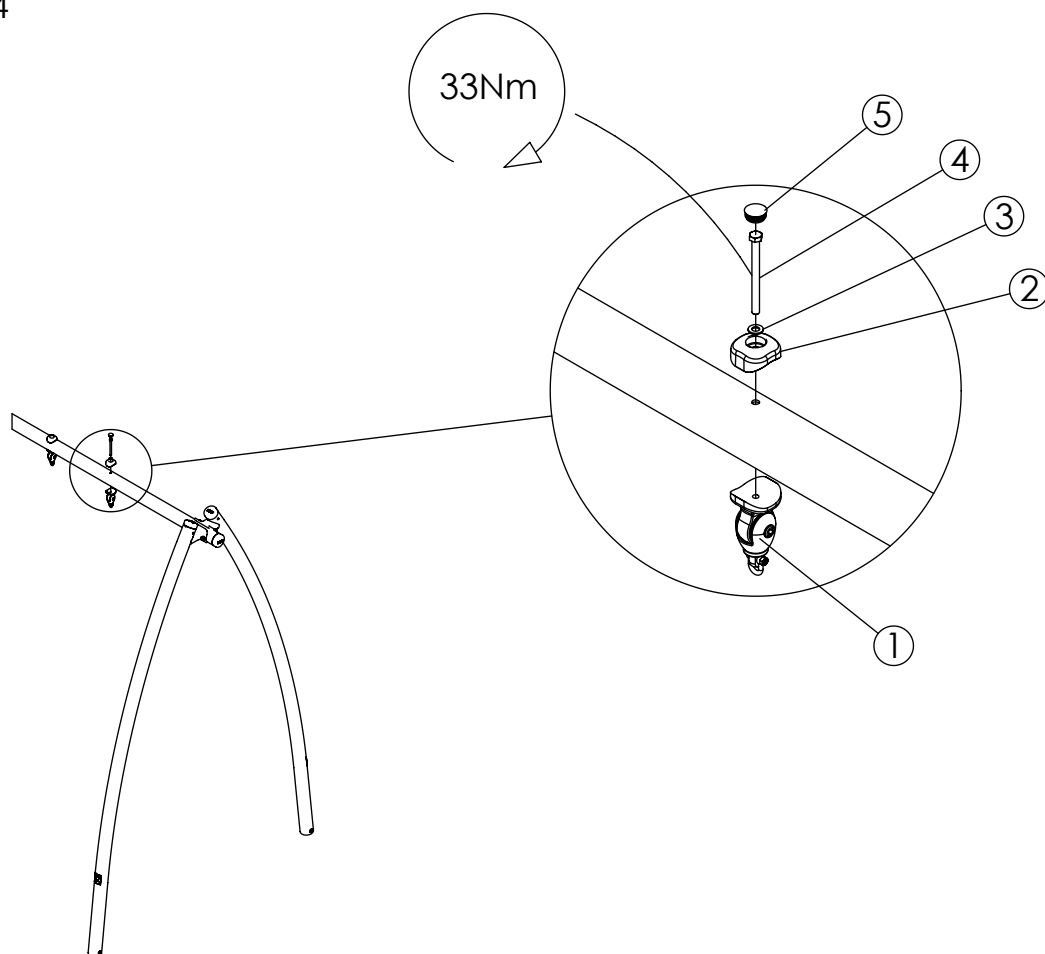
# HAGS

ANEBY, SWEDEN  
+46(0)380-47300  
www.hags.com

**Omega add. module CC**  
**MASW51391**  
**4 ( 5 )**

# Additional module 1-pl

STEP 4



NR.	Description MA	Item Number	Qty
1	Swing joint	8050617	2
2	Cover	8050617	2
3	Ø11x24x2	8050617	2
4	M6S M10x120 mm	8050617	2
5	Top cover	8050617	2

**HAGS** ANEBY, SWEDEN  
+46(0)380-47300  
www.hags.com

**Omega add. module CC**  
**MASW51391**  
**5 ( 5 )**