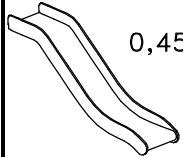

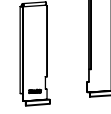
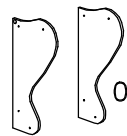
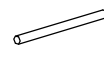
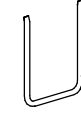

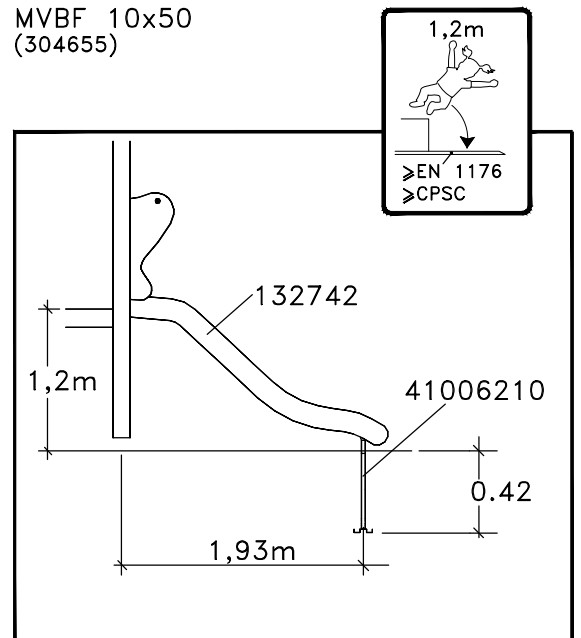
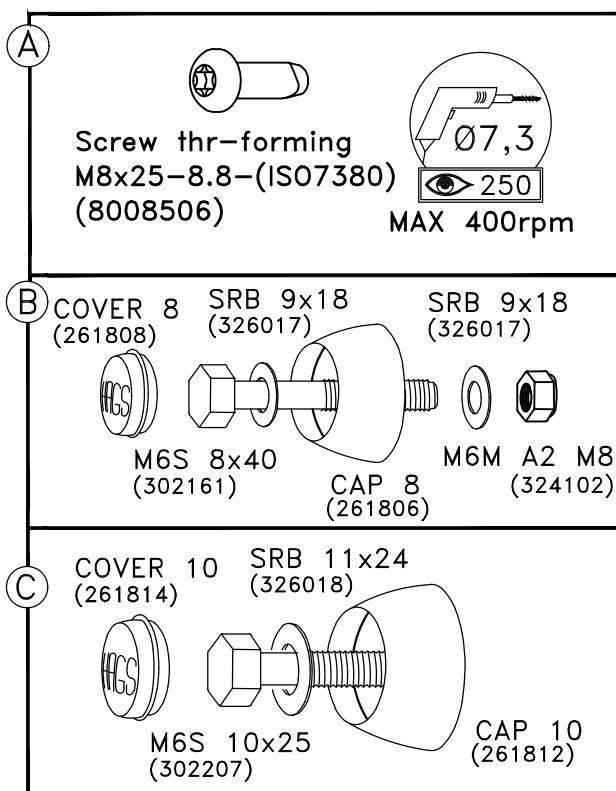


TYPE	HAGS.NO
 0,45x2,6m	132742
 0,89m	410601
 Right pannel is marked with punched HAGS logo! 0,2x0,74m	135020-02 135021-02
 0,37x0,71m	135010-01 135011-01 135012-01 135013-01
 Ø25mm L=0,45m	153406
 L=0.56m	41006210
 0,62m	610071-02



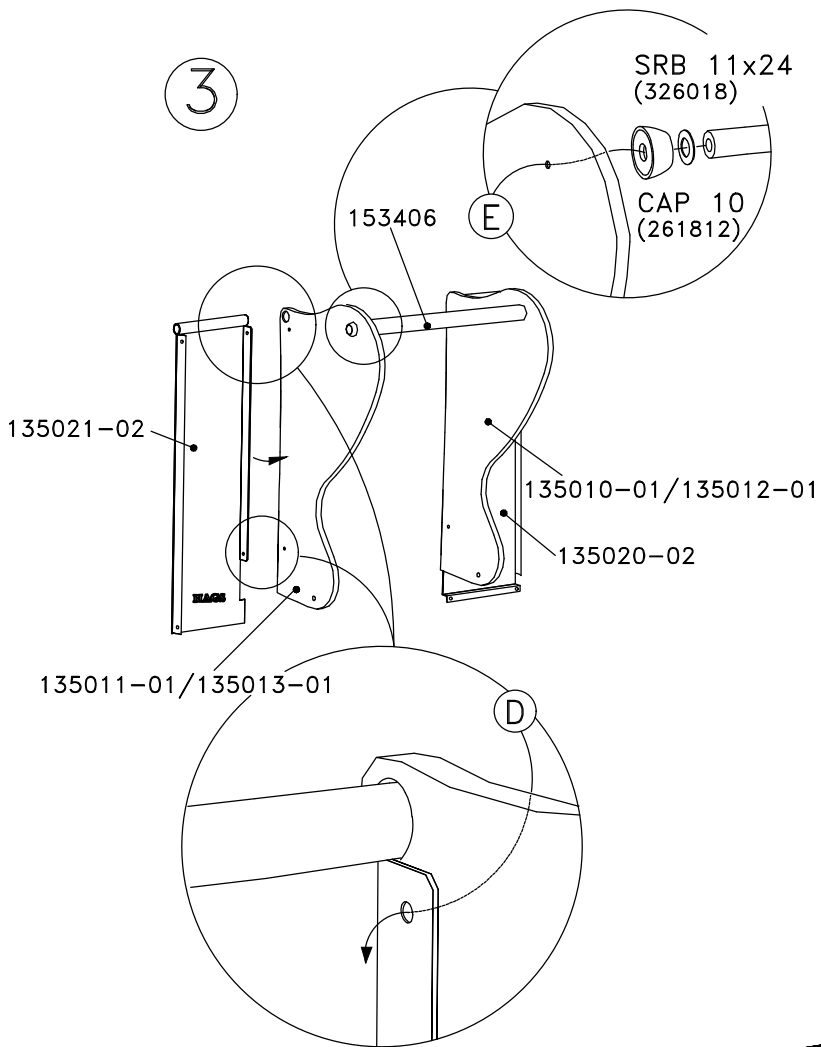
HAGS ANEBY, SWEDEN
+46(0)380-47300
www.hags.com

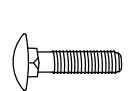


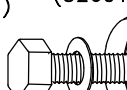
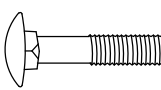

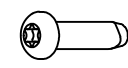

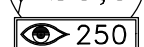
HPL Slide
453 212
1(2)

TJ

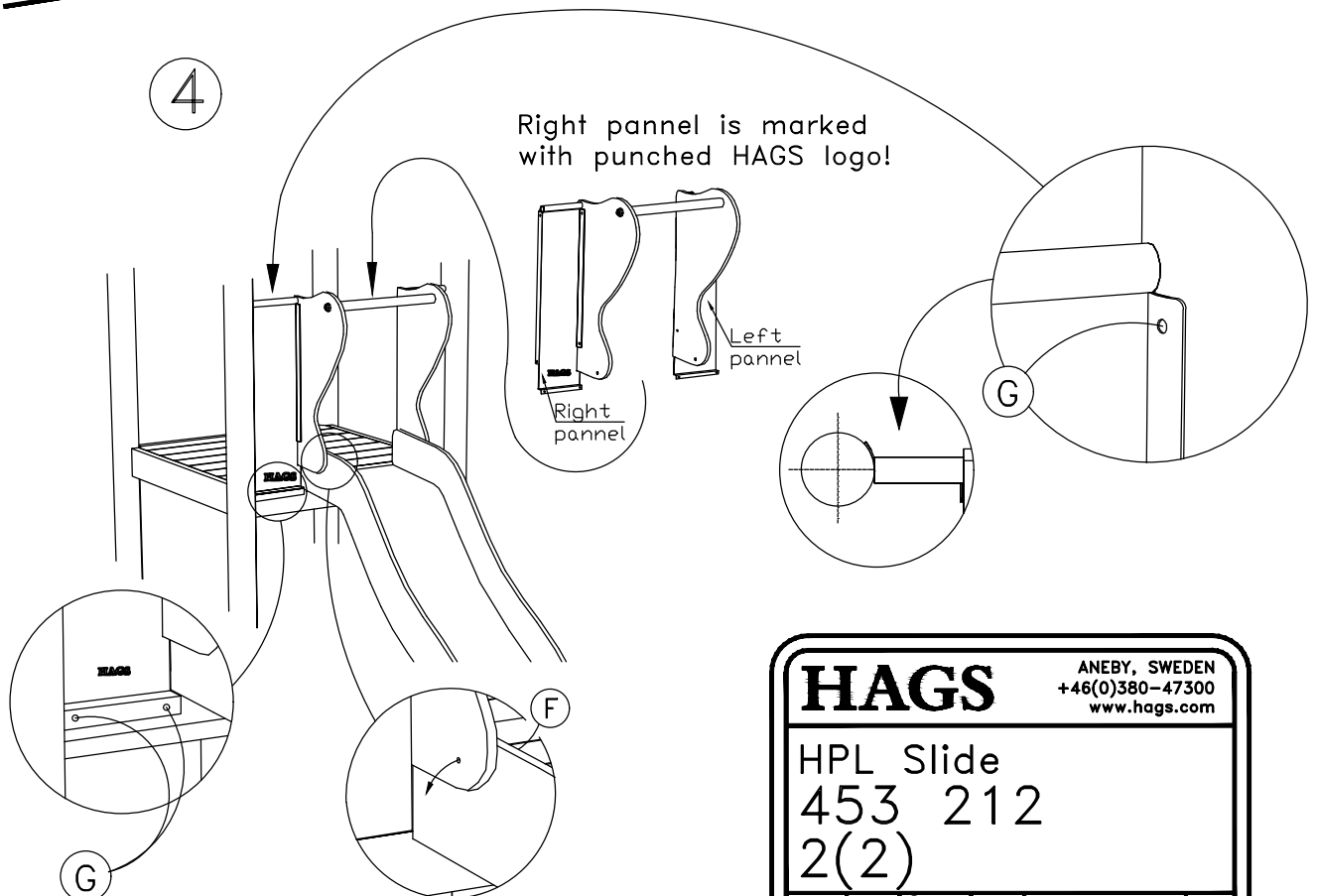
6



3



D	 MVBF 6x25 (304552)	 CAP 6 (261800)	M6M A2 M6 (324101) COVER 6 (261801) SRB 7x14 (326016)
E	 COVER 8 (261808)	 M6S 8x55 (302164)	SRB 9x18 (326017) CAP 8 (261806)
F	 MVBF 8x45 (304605)	 CAP 8 (261806)	M6M A2 M8 (324102) SRB 9x18 (326017) COVER 8 (261808)
G	 Screw thr-forming M6x25-8.8-(ISO7380) (8027762)		 Ø5,5  250 MAX 500rpm

4



HAGS	ANEBY, SWEDEN +46(0)380-47300 www.hags.com
HPL Slide 453 212 2(2)	
 TJ  - -	6