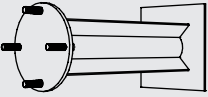

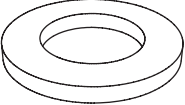
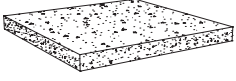
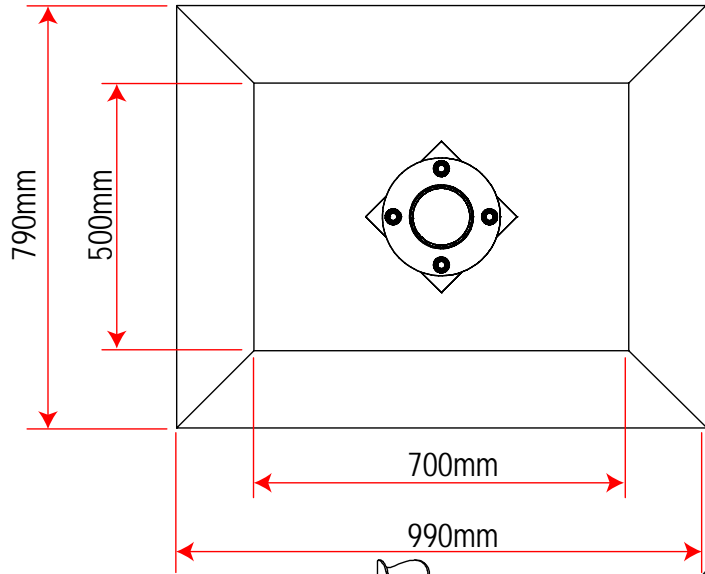


Fitness Range


FS001N, FS004N, FS004A, FS007N,
FS009N, FS010N, FS015N, FS016N,
FS030, FS031, FS031A, FS032, FS033,
FS033A, FS034, FS035, FS036, FS037,
FS038, FS040, FS041A, FS100, FS101,
FS102, FS103, FS104, FS105, FS106,
FS107, FS108, FS112, FS113





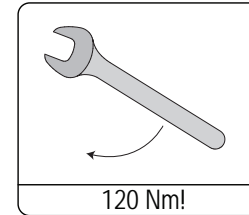
ITEM	REF	PART	Qty	ITEM	REF	PART	Qty
1	940301		1	2	10261600	 M16	4
3	10291600	 M16	4	4	INCL INCL	 500 x 500 x 50mm	1



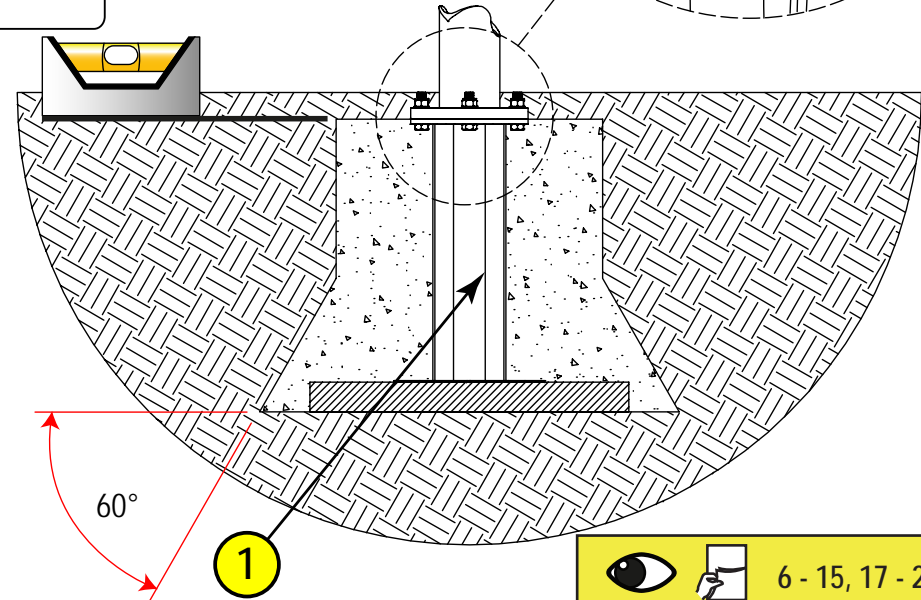
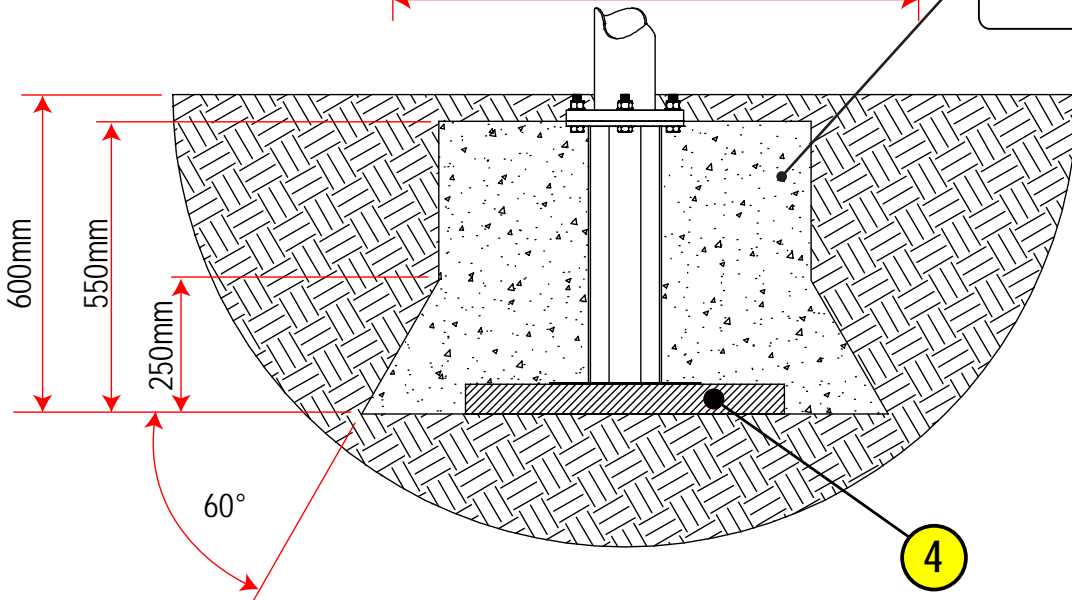
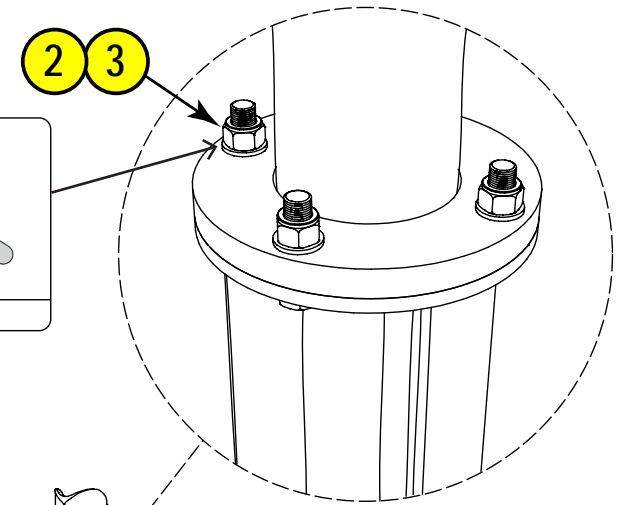


S25



S2 (50mm)
≥C20-25

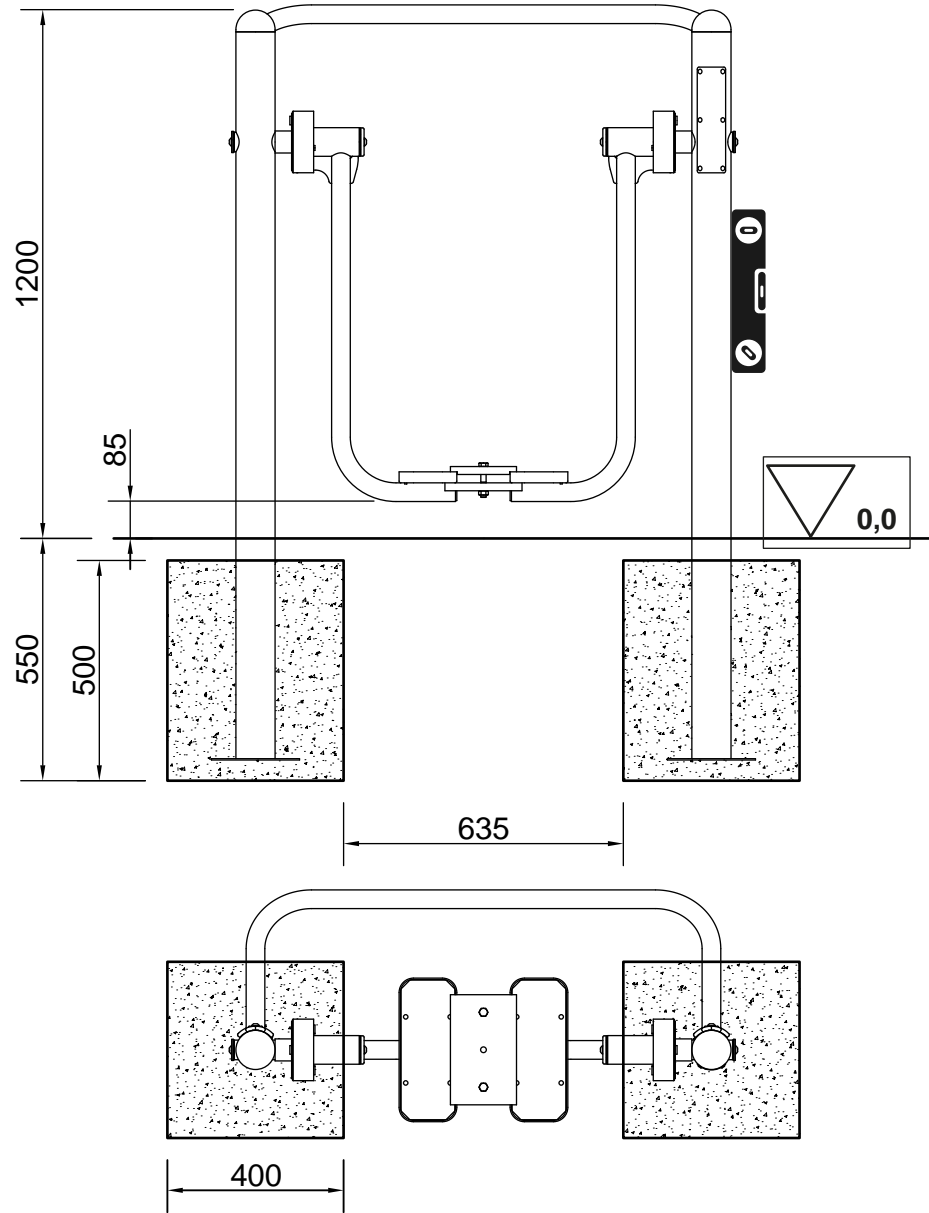
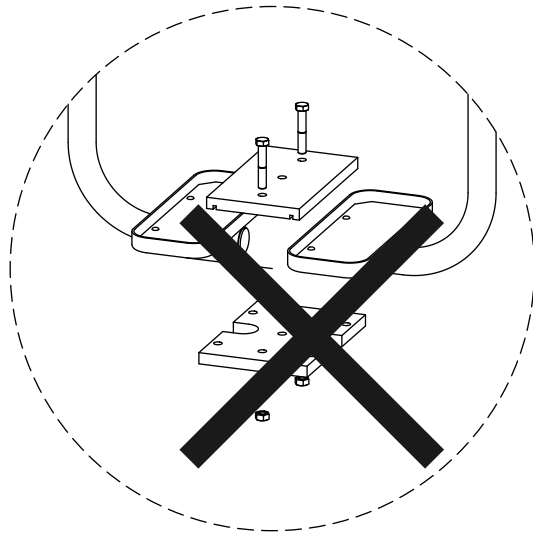
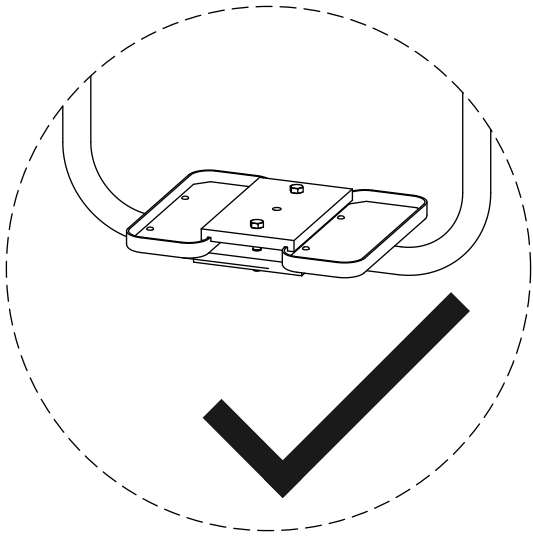
 7 x 24h
 101


Fitness Range Ground Anchor

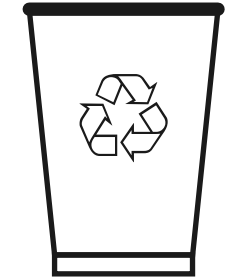
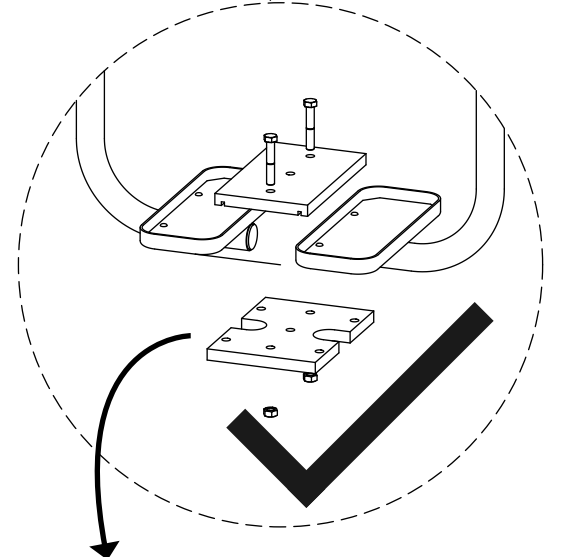




6 - 15, 17 - 20, 23, 27, 28

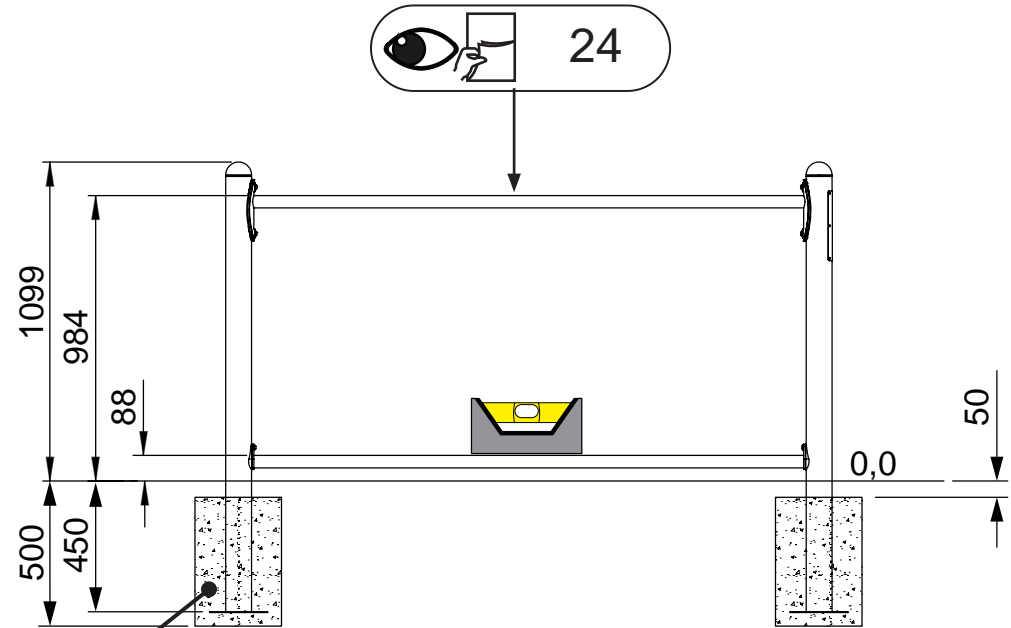
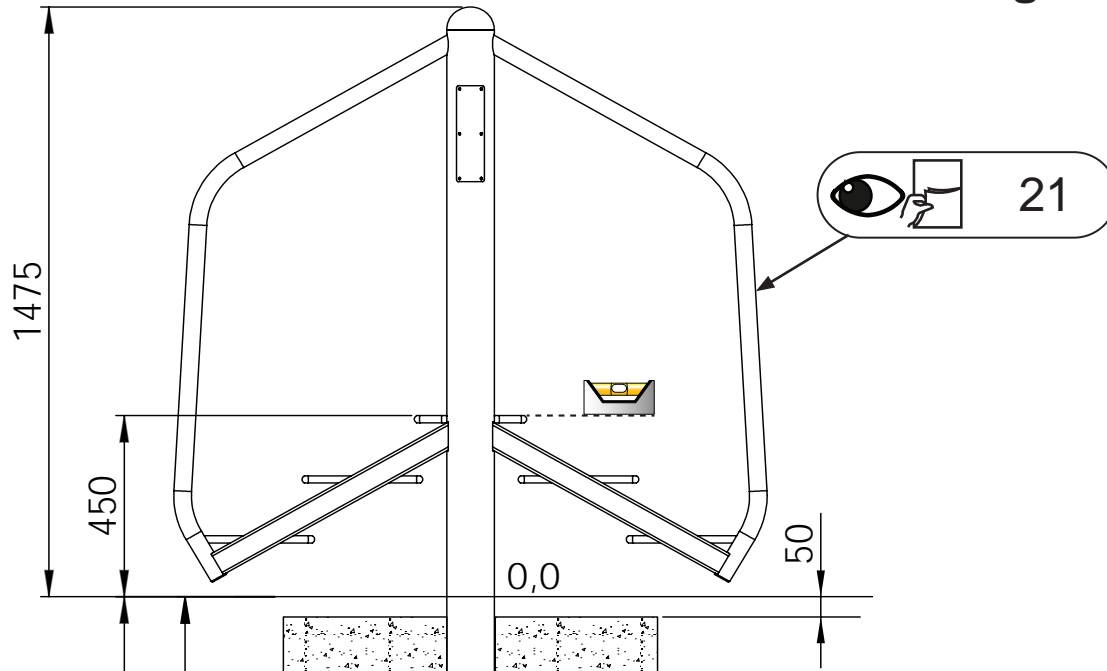
FS031A Air Walker






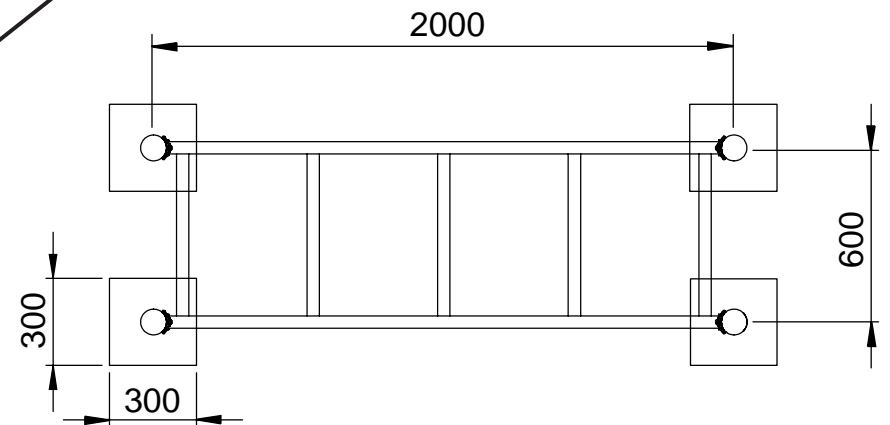
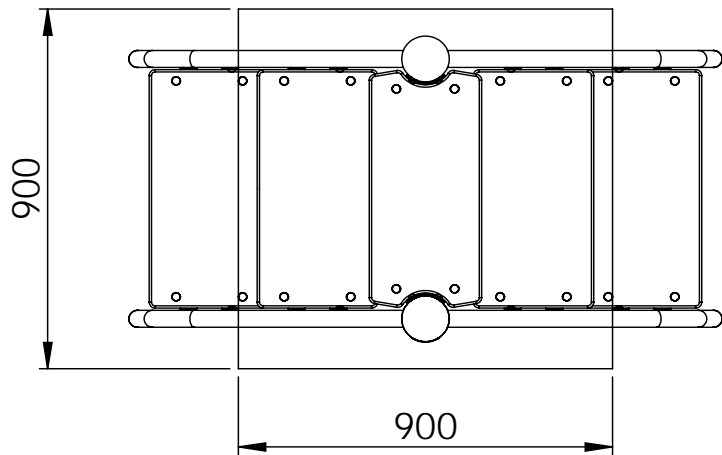
S25	
S2 (50mm)	≥C20-25
	7 x 24h
	101



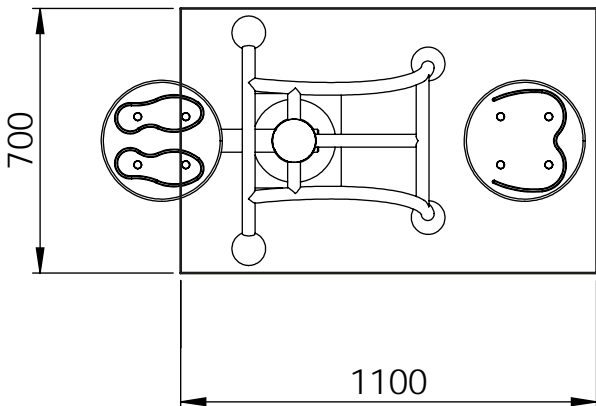
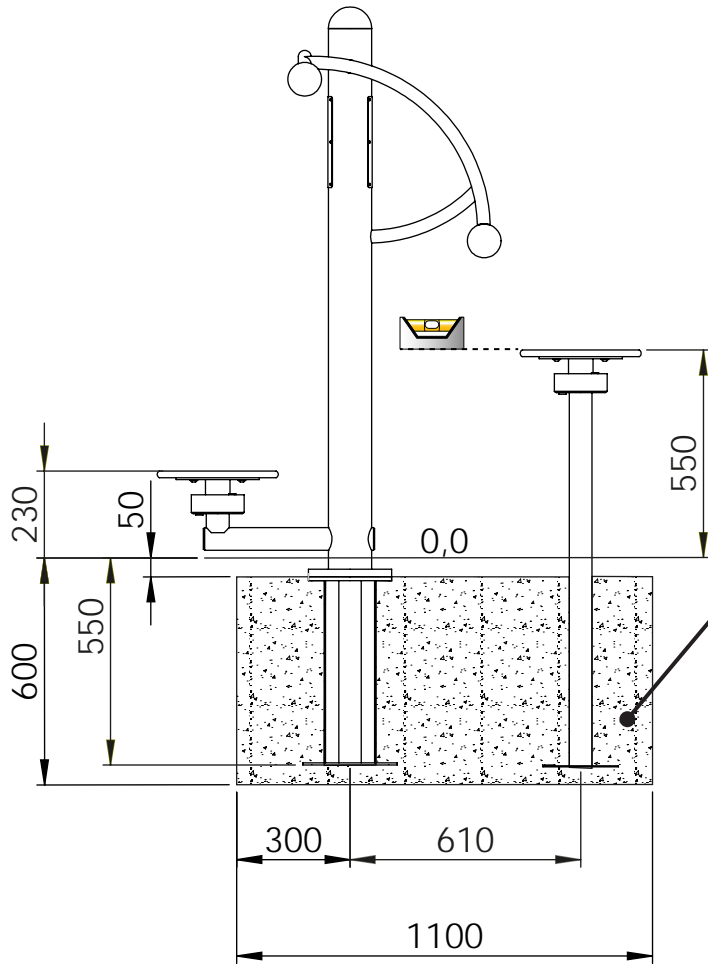
Footing detail for FS035 Step Challenge & FS037 Ladder






S25

S2 (50mm) ≥C20-25
 7 x 24h
 101

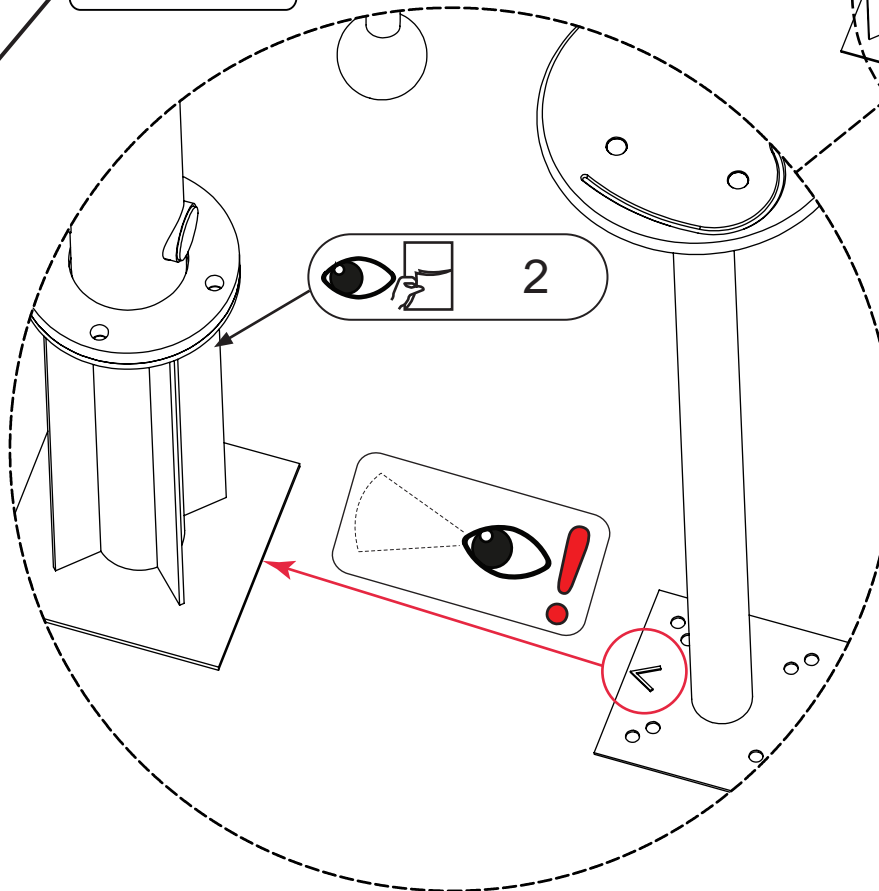
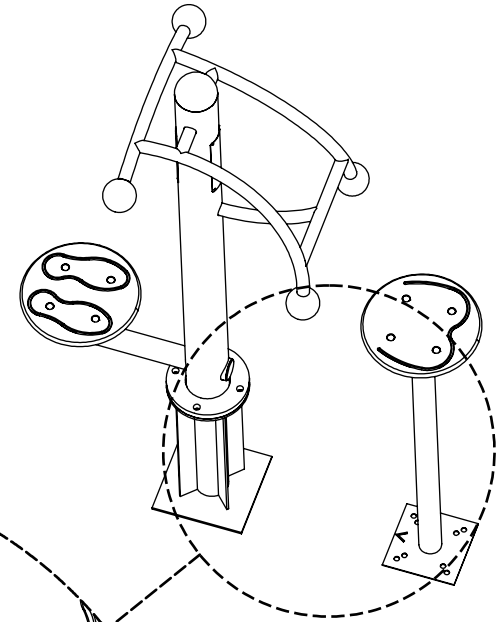


Footing detail for FS038 Twister

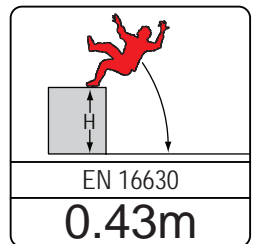
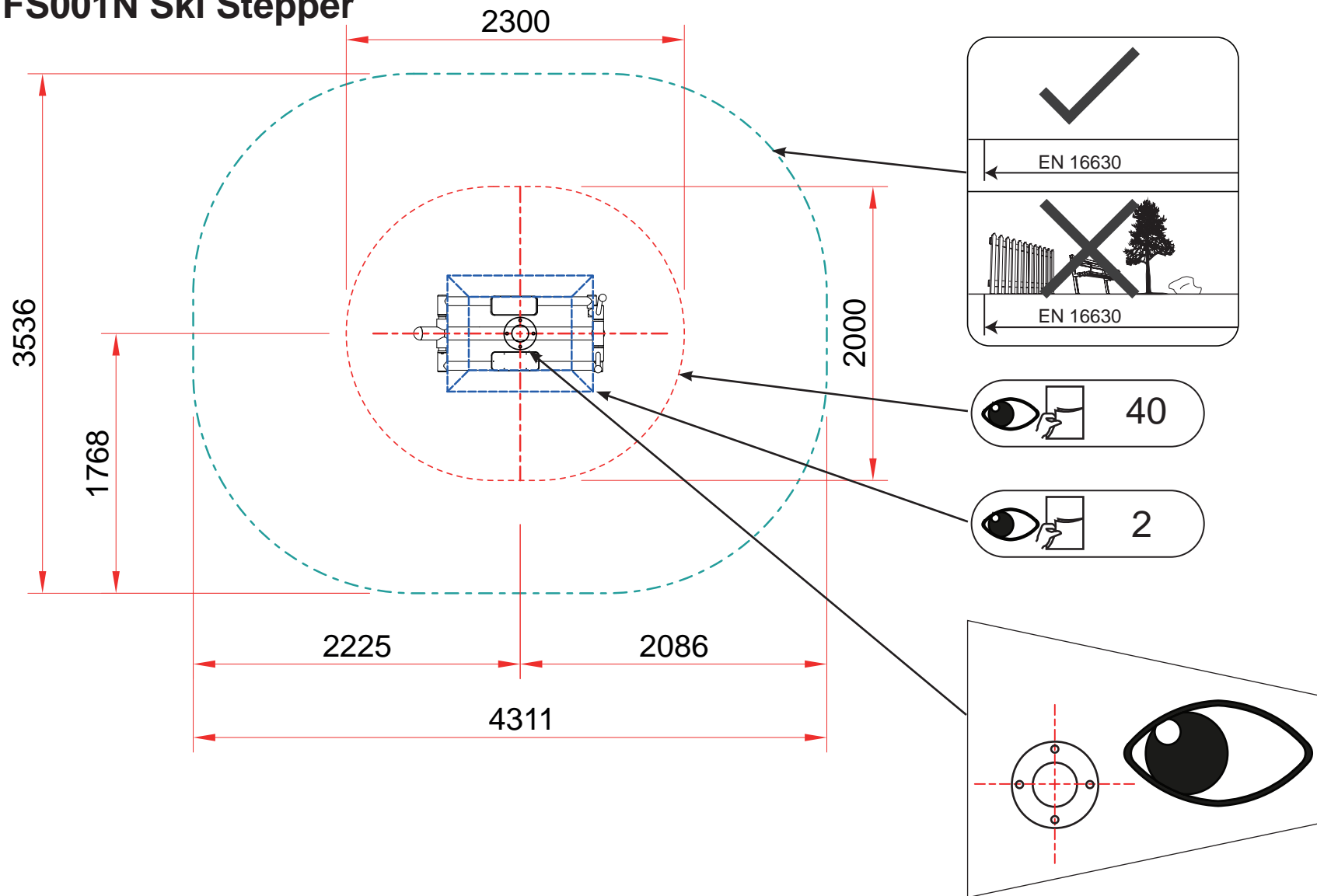


S25

S2 (50mm) ≥C20-25
 7 x 24h
 101

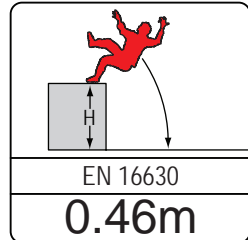
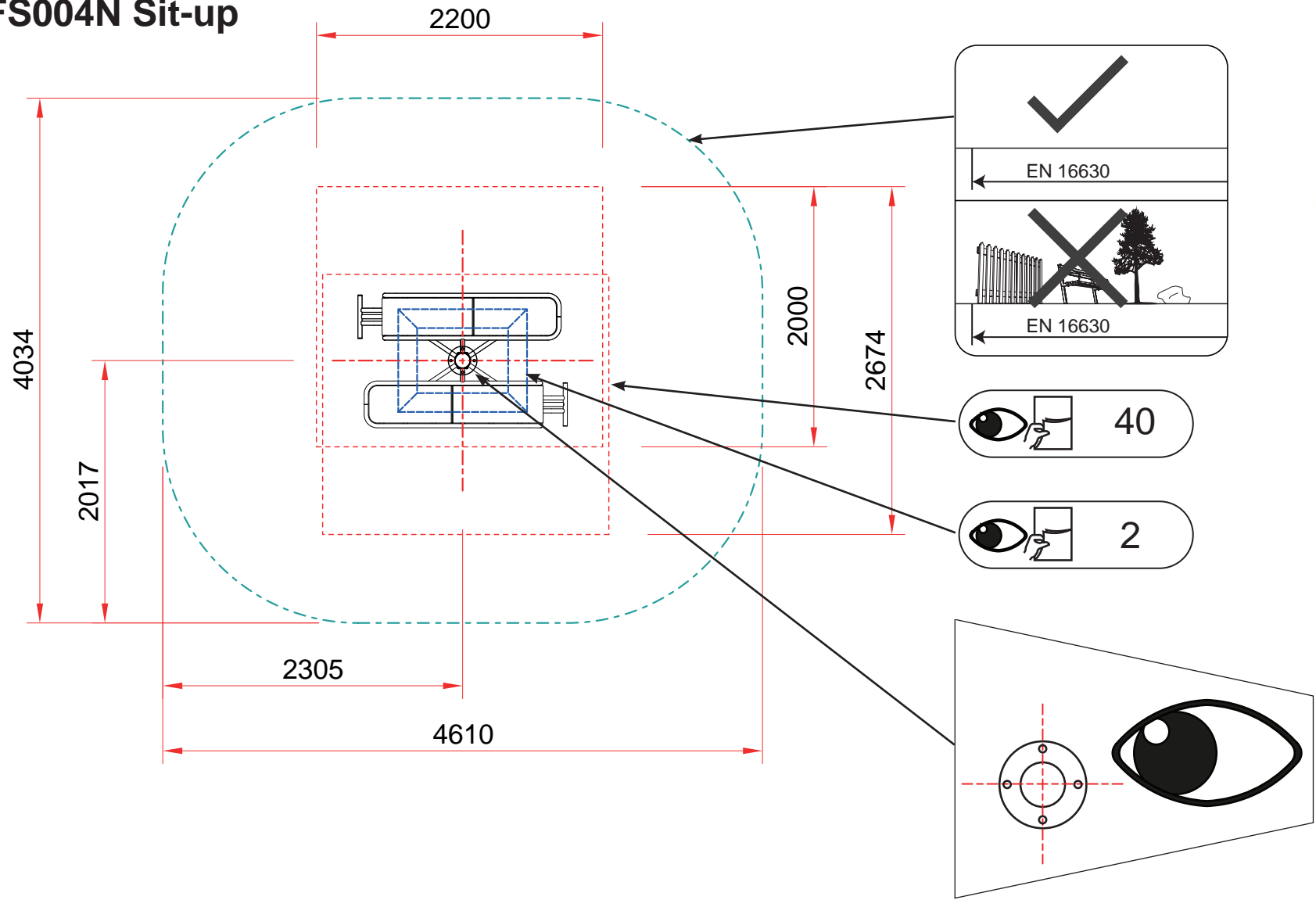
  26



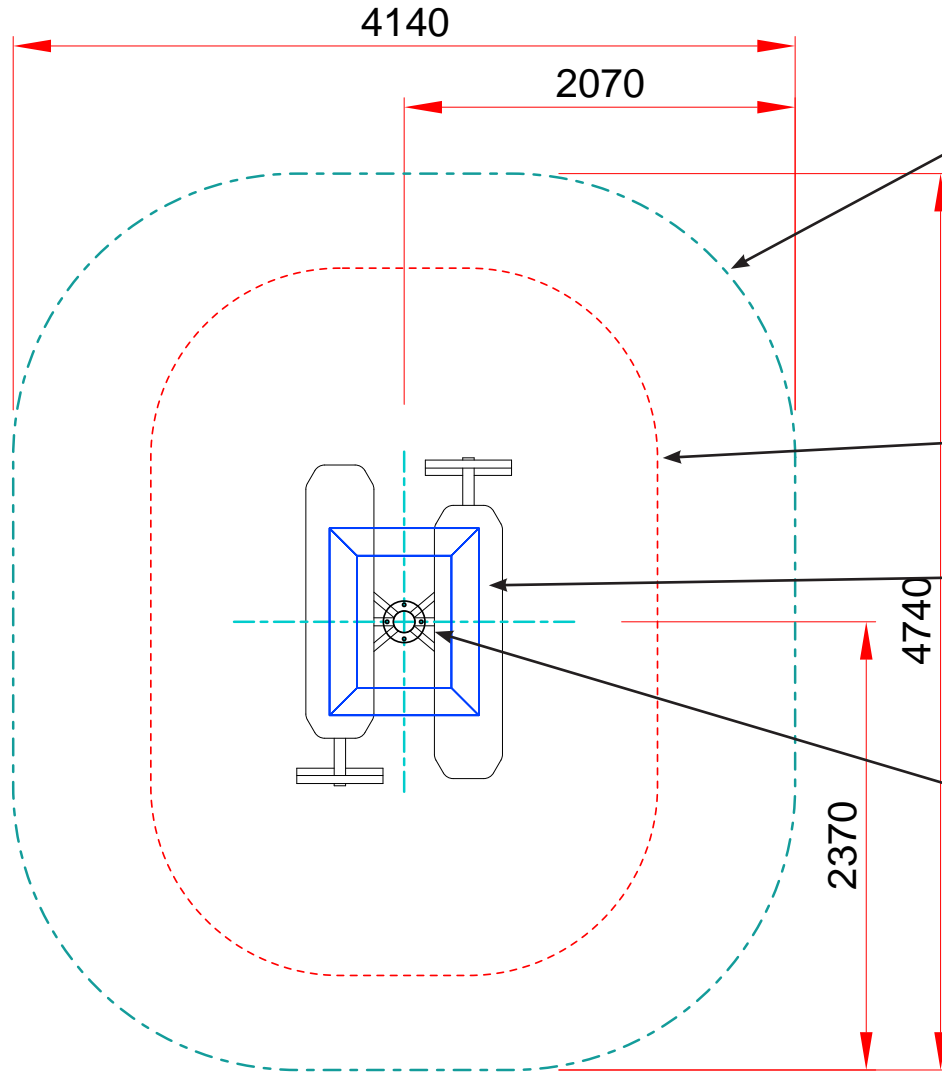
FS001N Ski Stepper



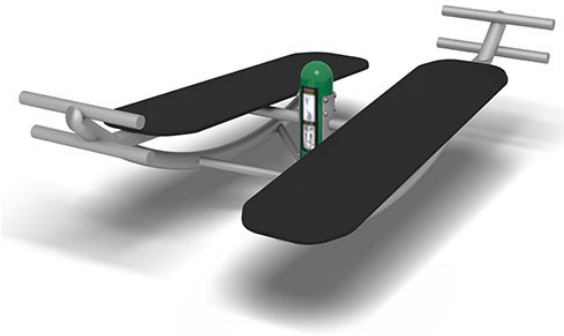
FS004N Sit-up



FS004A Sit-up

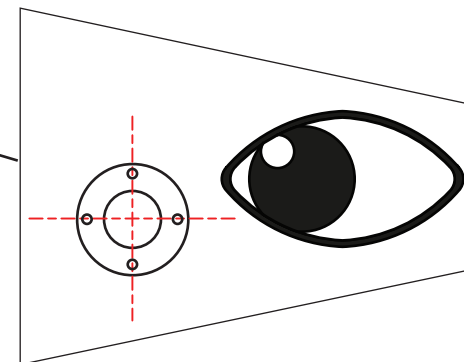


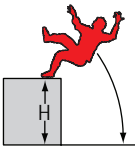
✓
← EN 16630
✗
← EN 16630



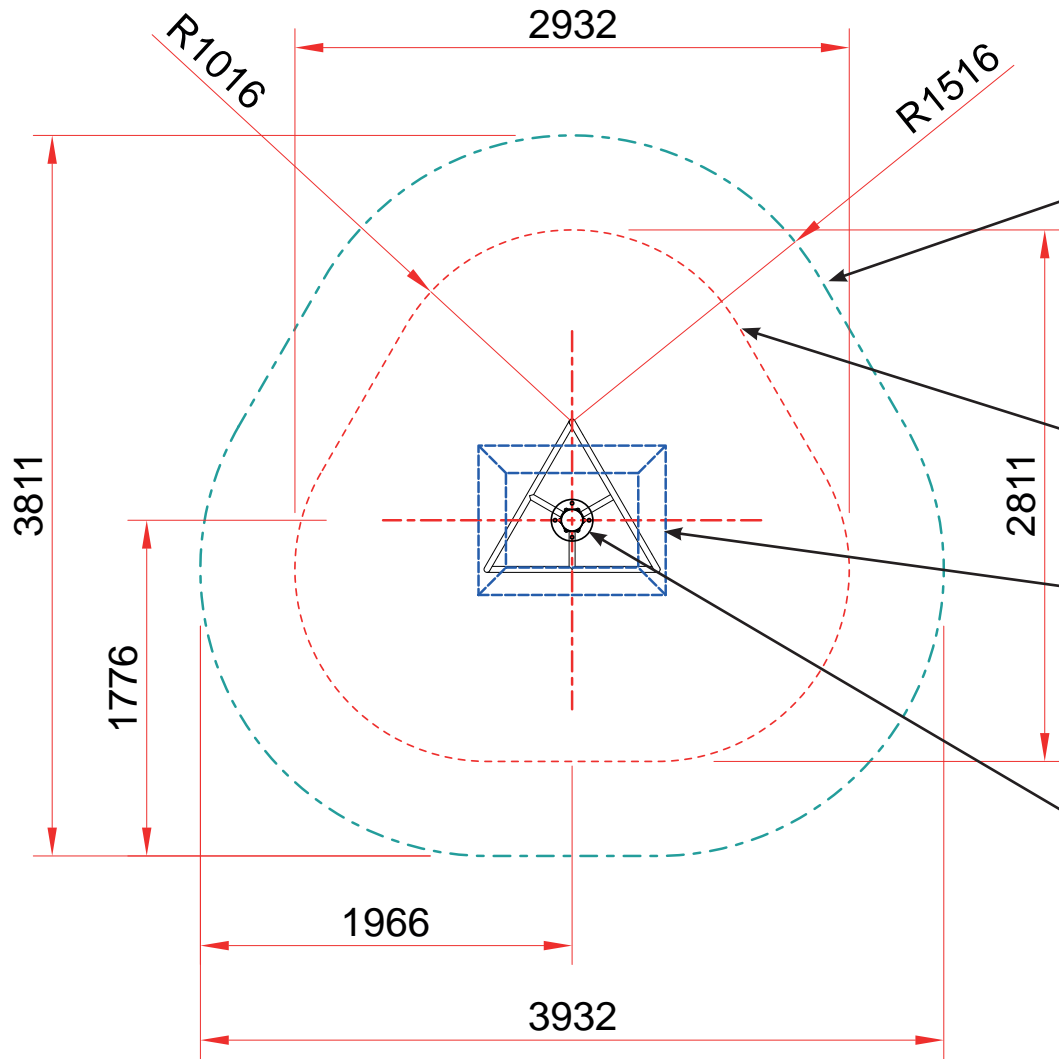
👁️	40
----	----

👁️	2
----	---




EN 16630
0.65m

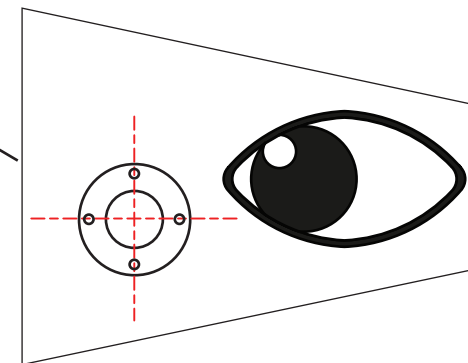
FS007N Leg Stretch



✓
← EN 16630
✗
← EN 16630

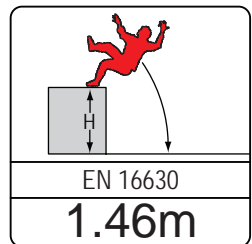
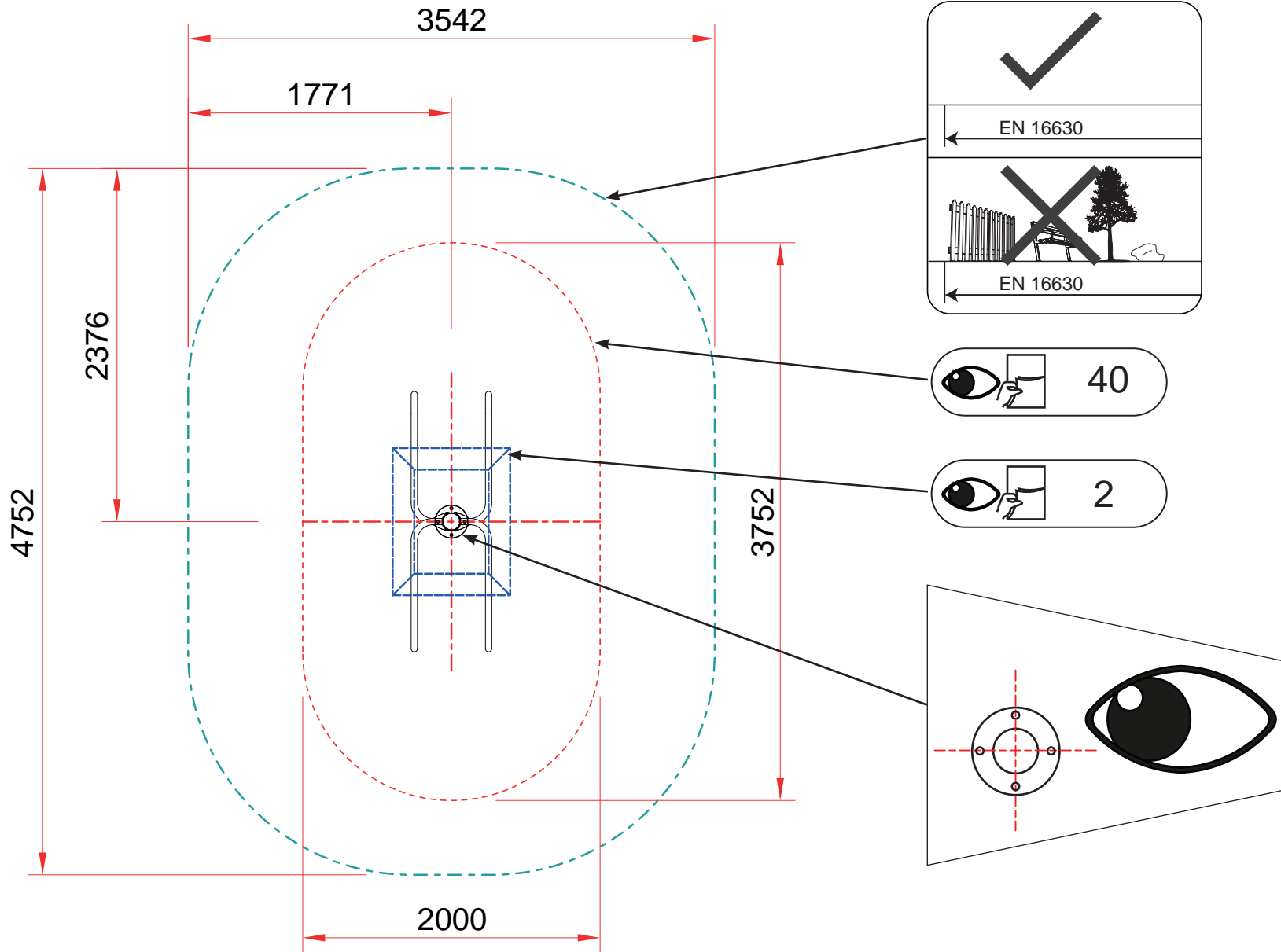
Eye icon with a hand pointing to a door frame and the number 40.

Eye icon with a hand pointing to a door frame and the number 2.

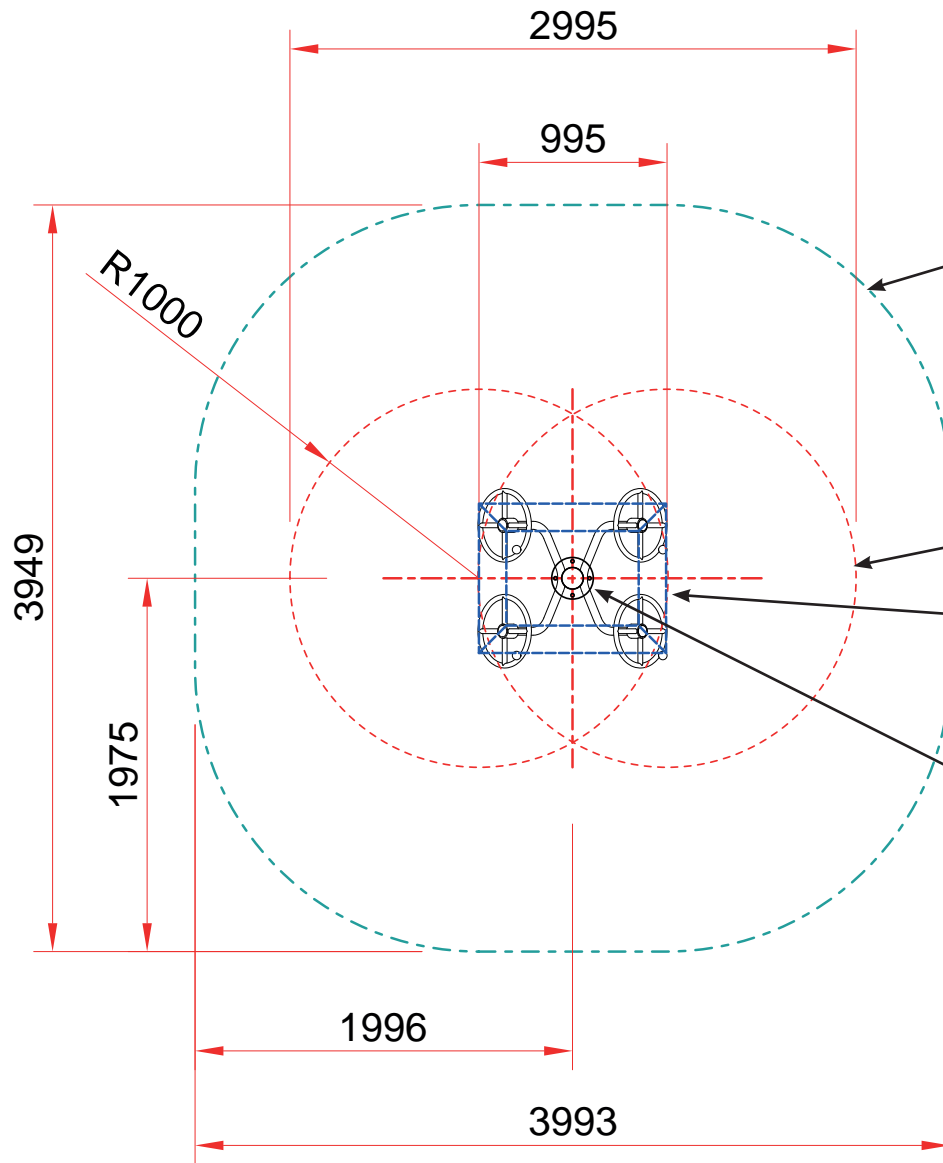


EN 16630
0m

FS009N Parallel Rails



FS010N Push Hands

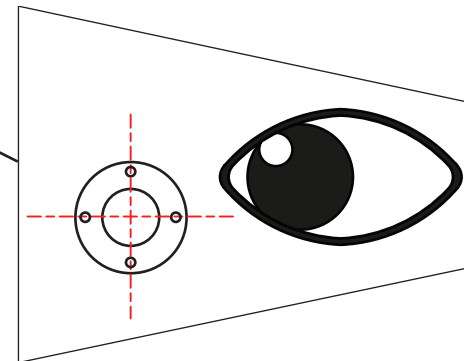


✓
← EN 16630
✗
← EN 16630



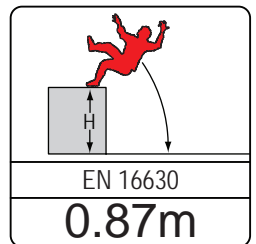
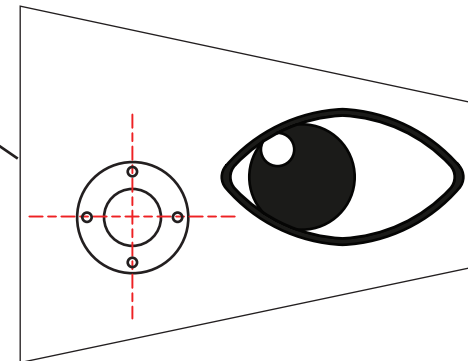
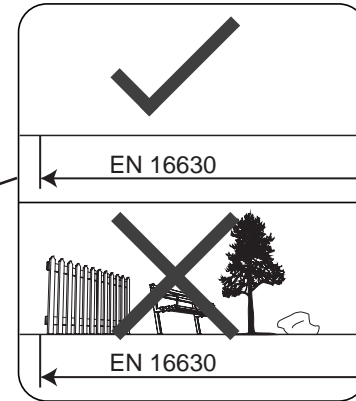
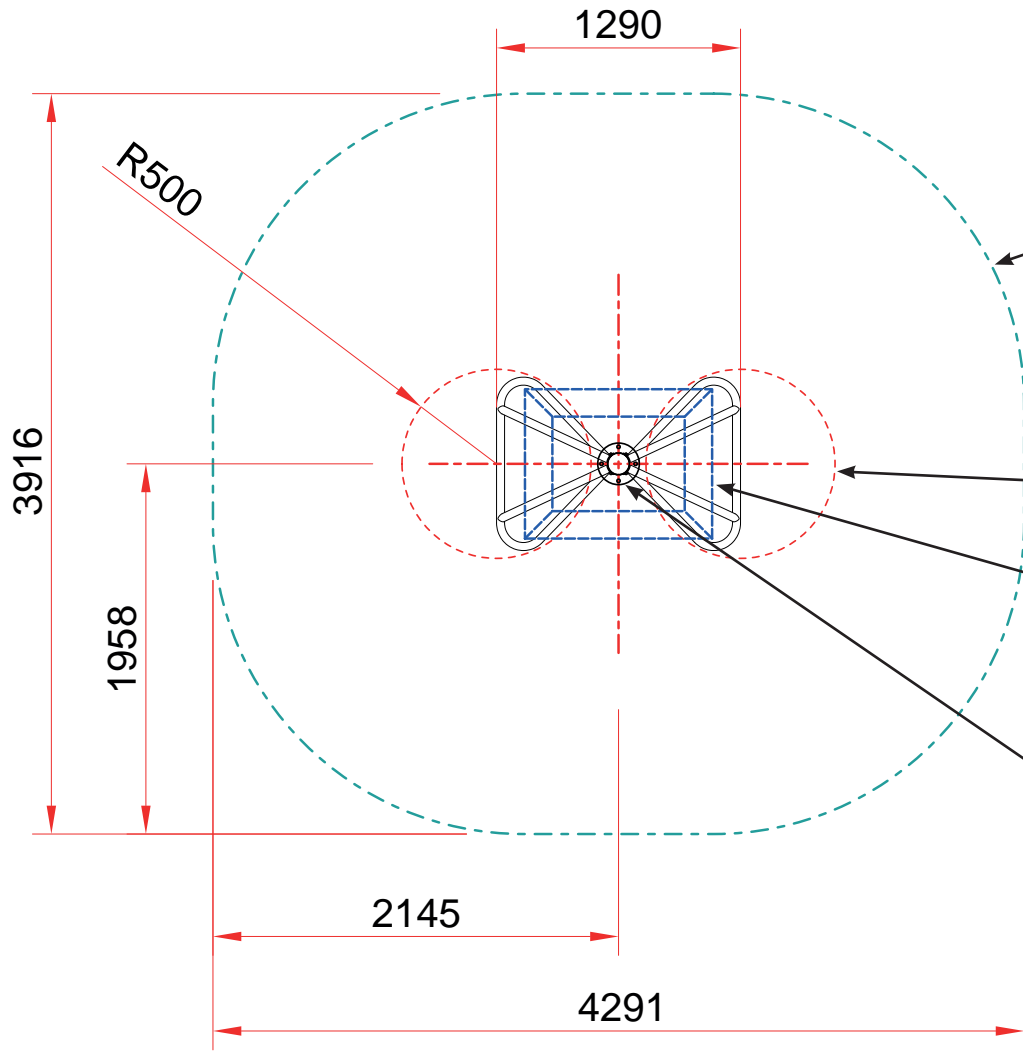
👁️	40
----	----

👁️	2
----	---

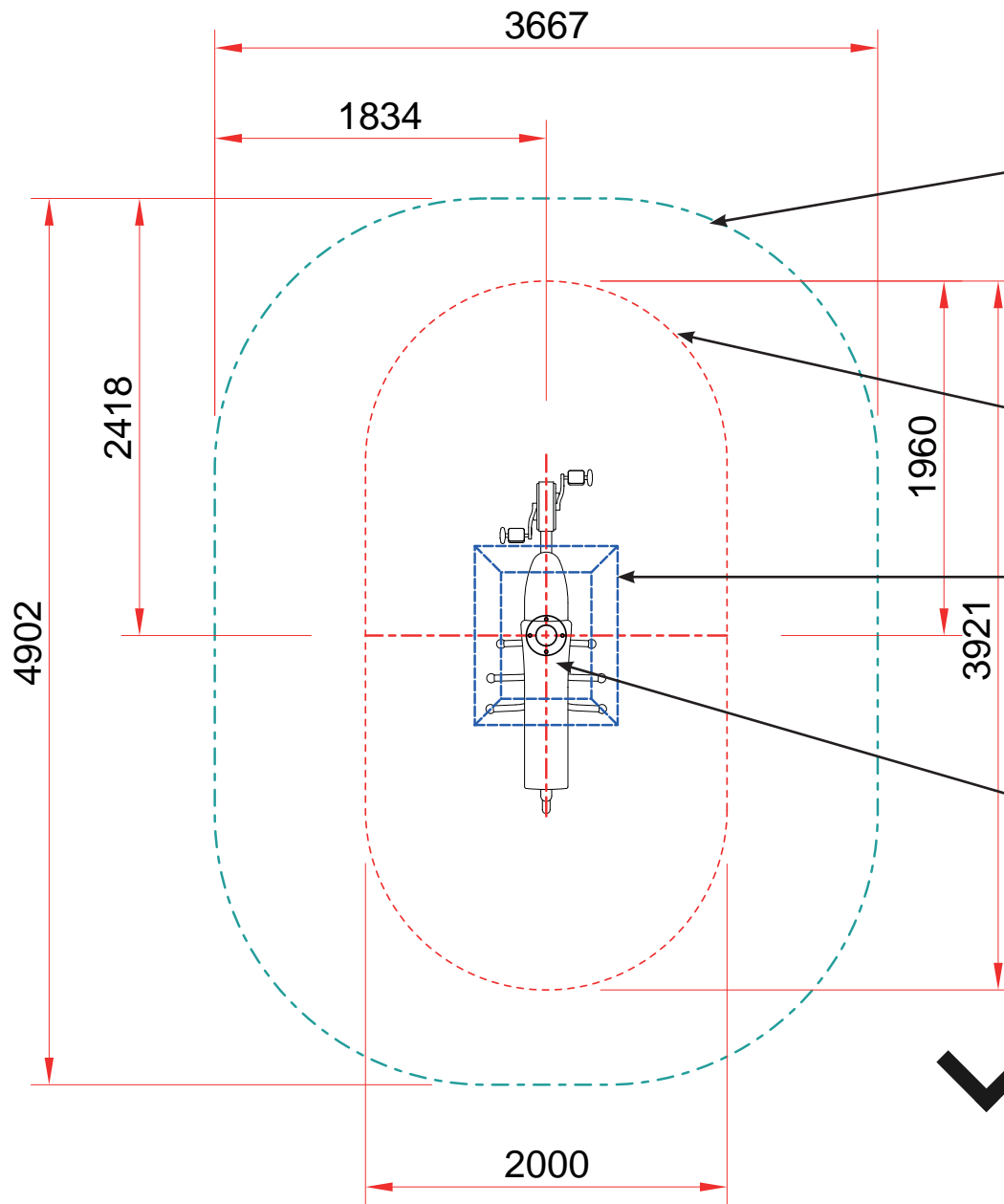


EN 16630
0m

FS015N Pull-up



FS016N Trinity Cycle

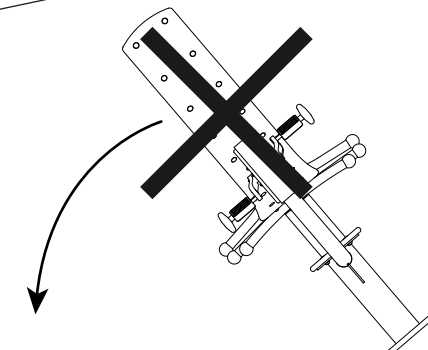
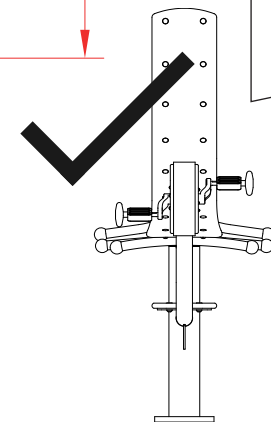
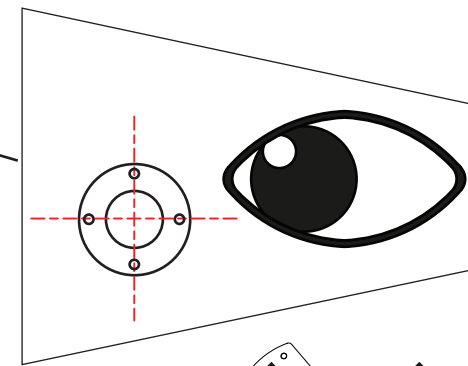
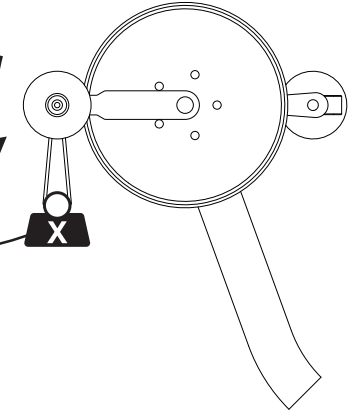


✓
← EN 16630
✗
← EN 16630



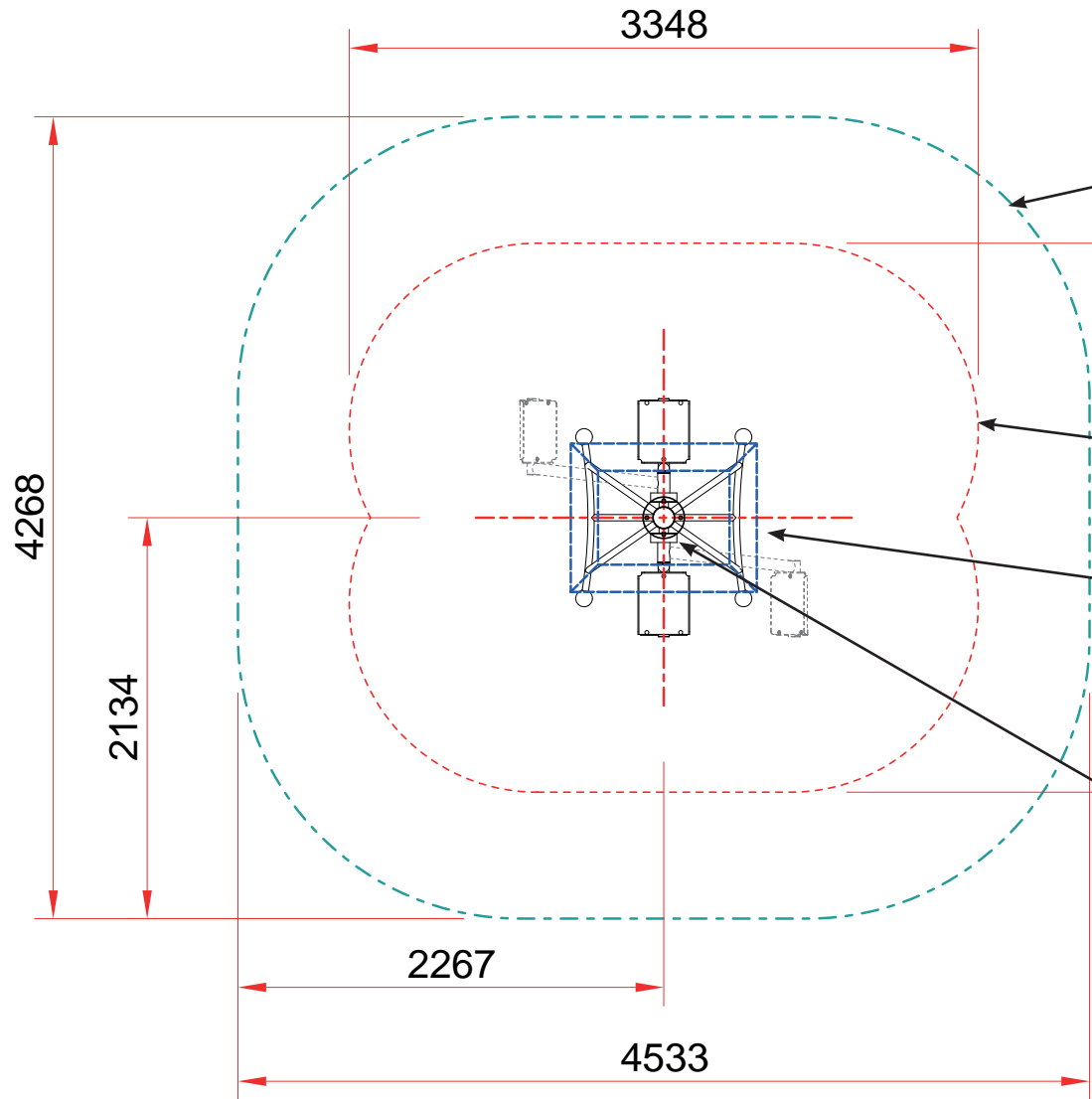
👁️	40
👁️	2

! X ≤ 8Kg ✓
 • X > 8Kg ✗



EN 16630
0.94m

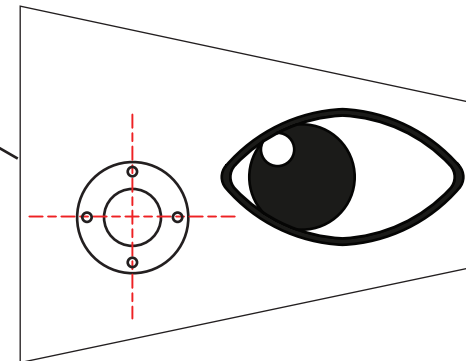
FS030 Air Skier



✓
EN 16630
✗
EN 16630

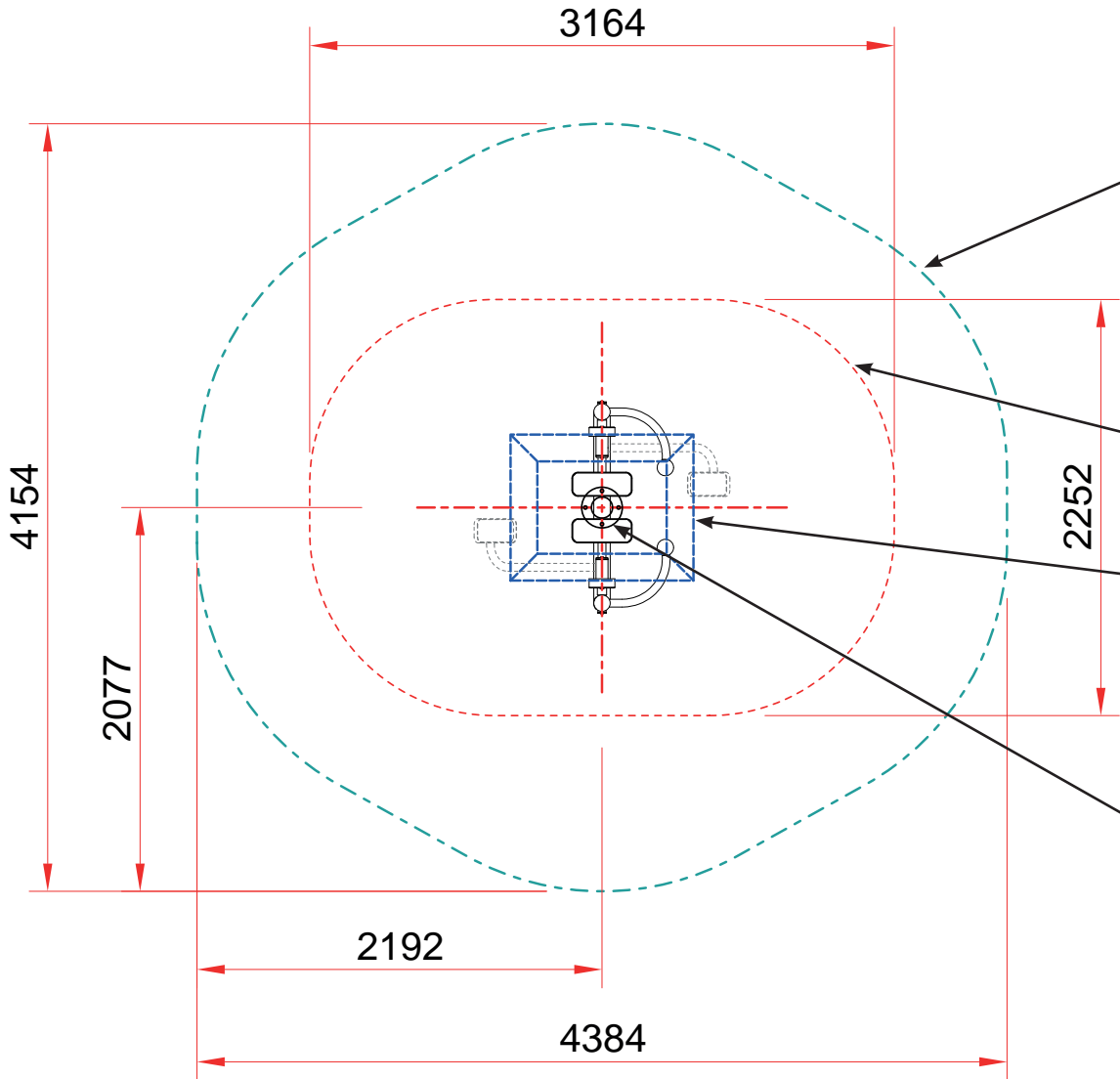
Eye icon	40
----------	----

Eye icon	2
----------	---



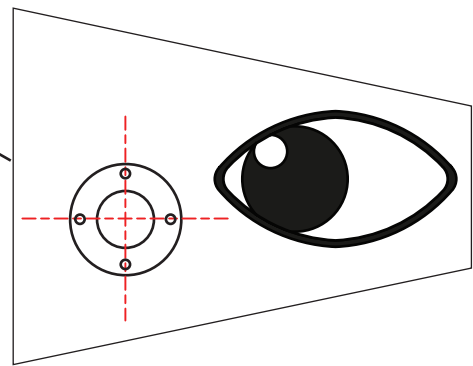
EN 16630
0.48m

FS031 Air Walker



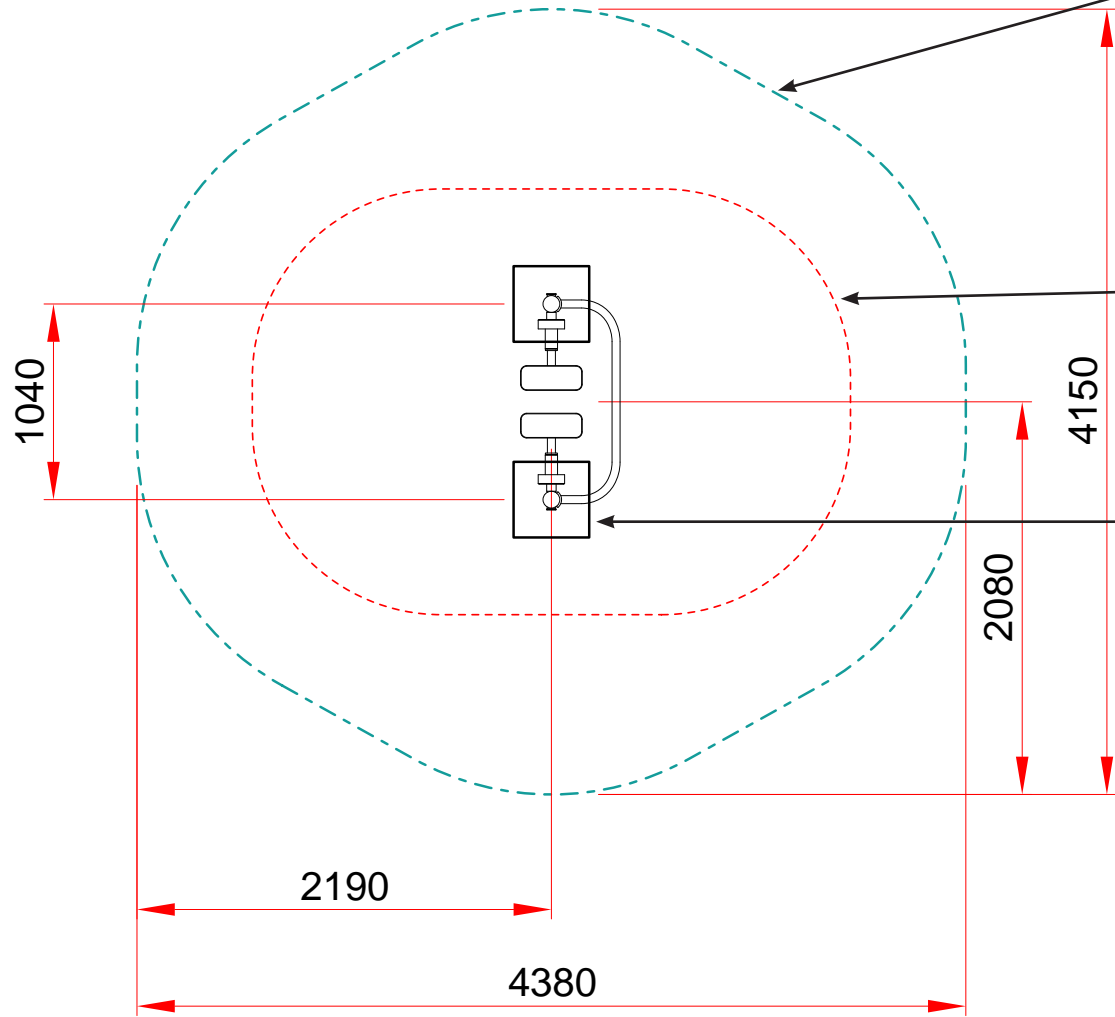
✓
← EN 16630
✗
← EN 16630

👁️	40
👁️	2



EN 16630
0.55m

FS031A Air Walker



✓
EN 16630
✗
EN 16630

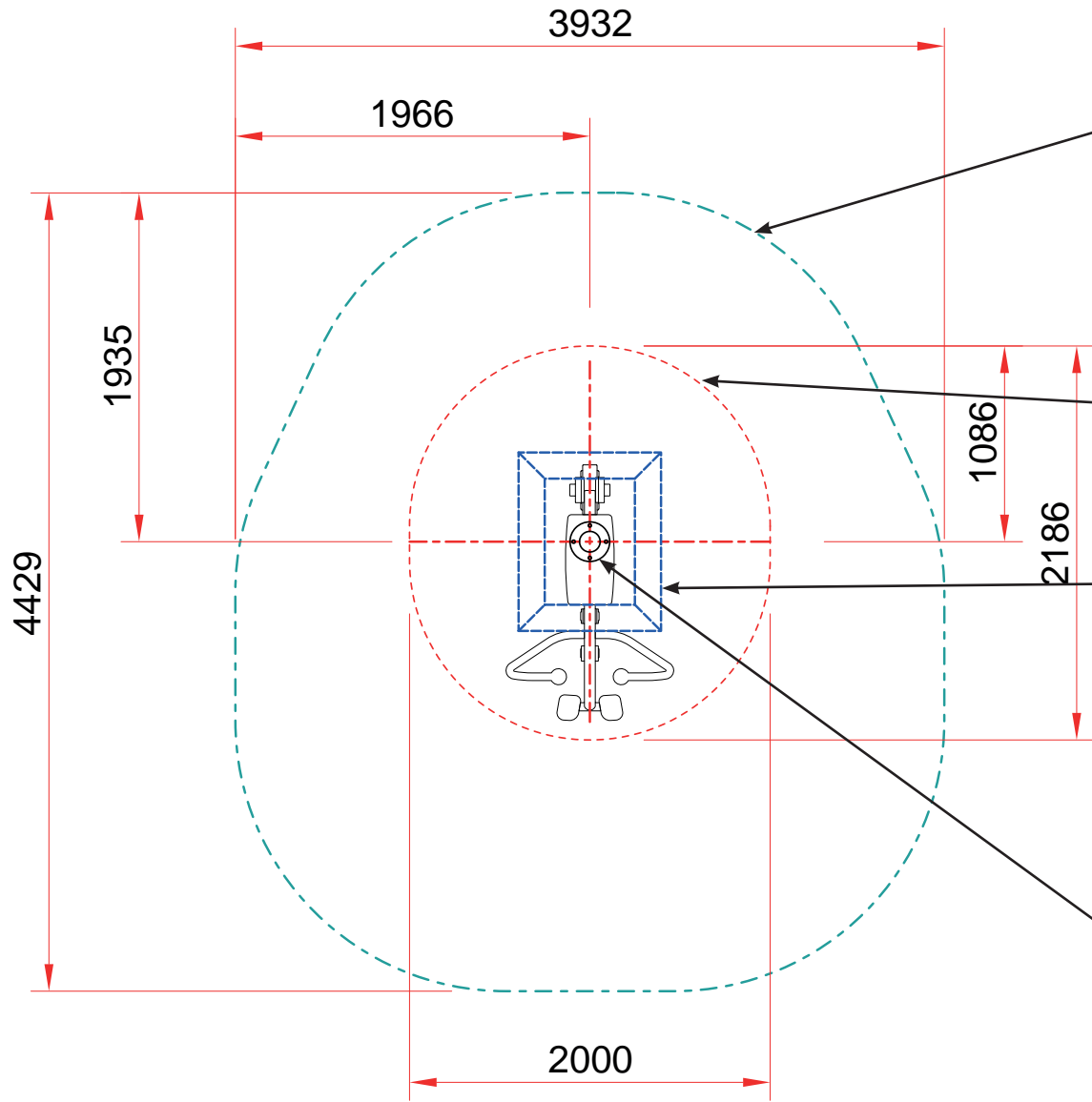
Eye icon with a hand pointing to a door icon and the number 40.

Eye icon with a hand pointing to a door icon and the number 3.



 H
EN 16630
0.45m

FS032 Rower

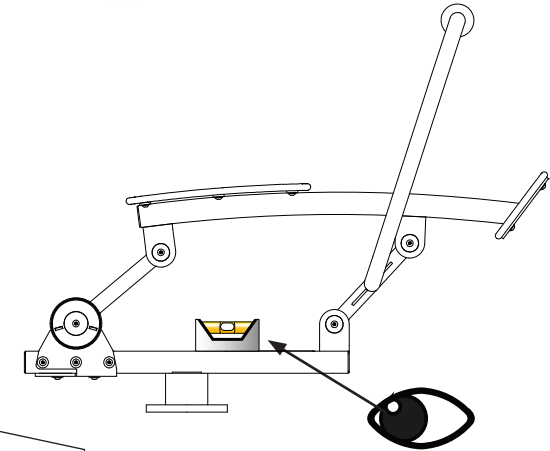
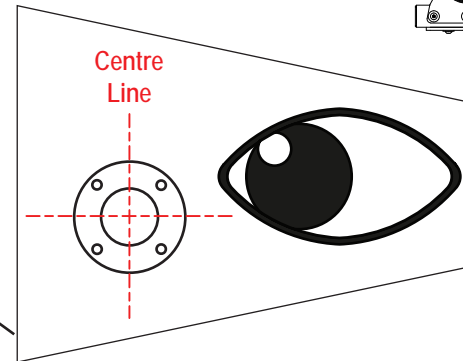


✓
← EN 16630
✗
← EN 16630



👁️	40
----	----

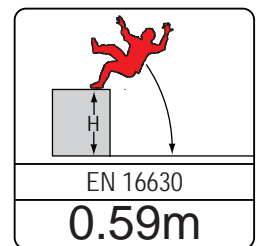
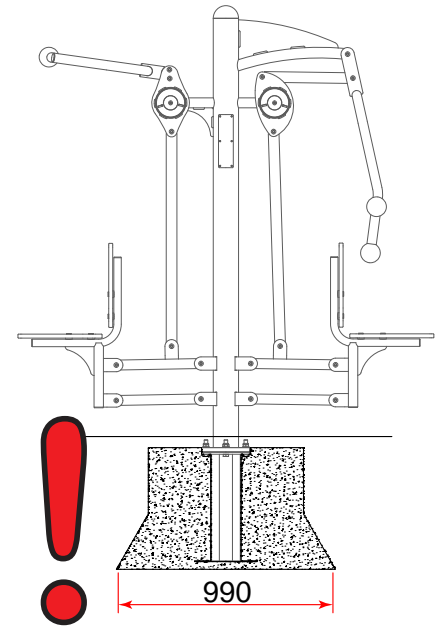
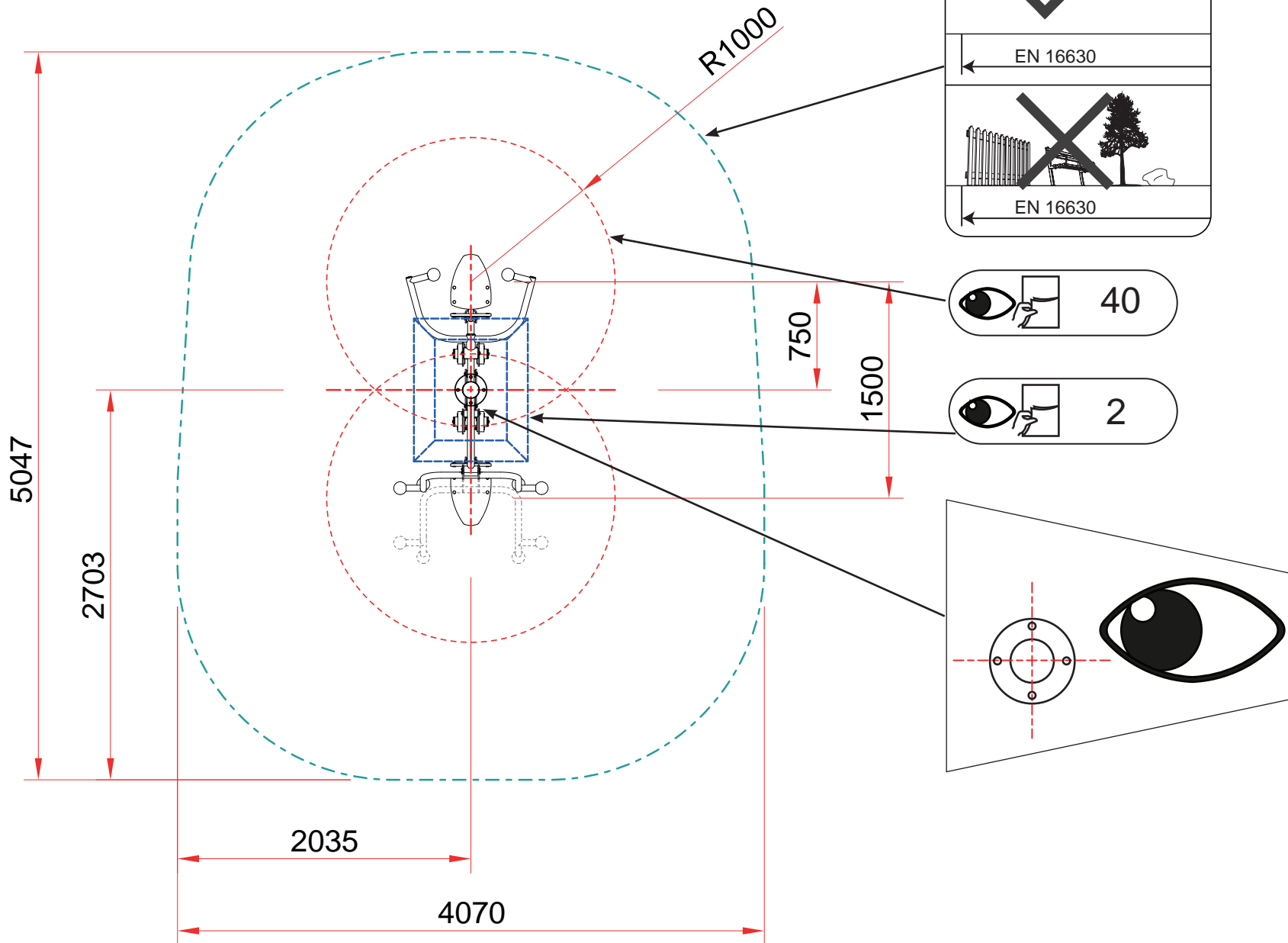
👁️	2
----	---



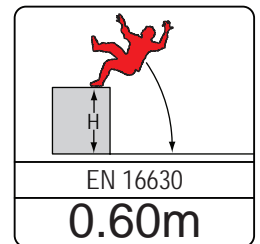
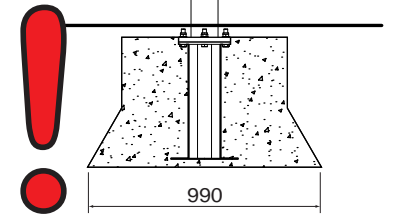
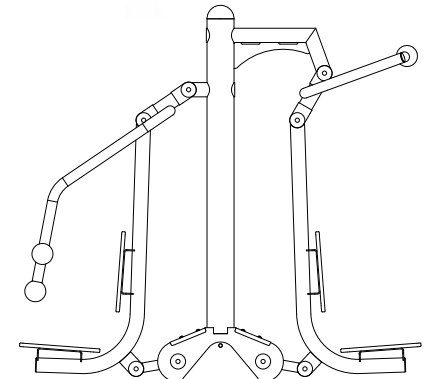
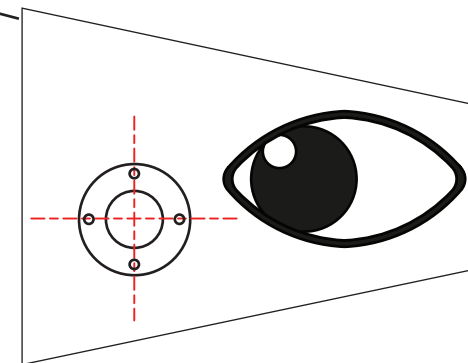
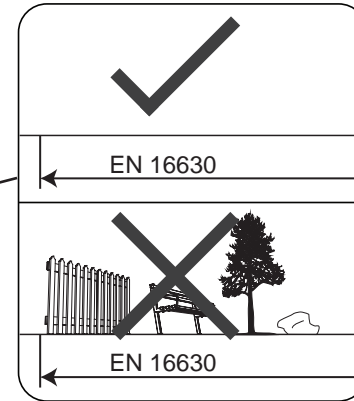
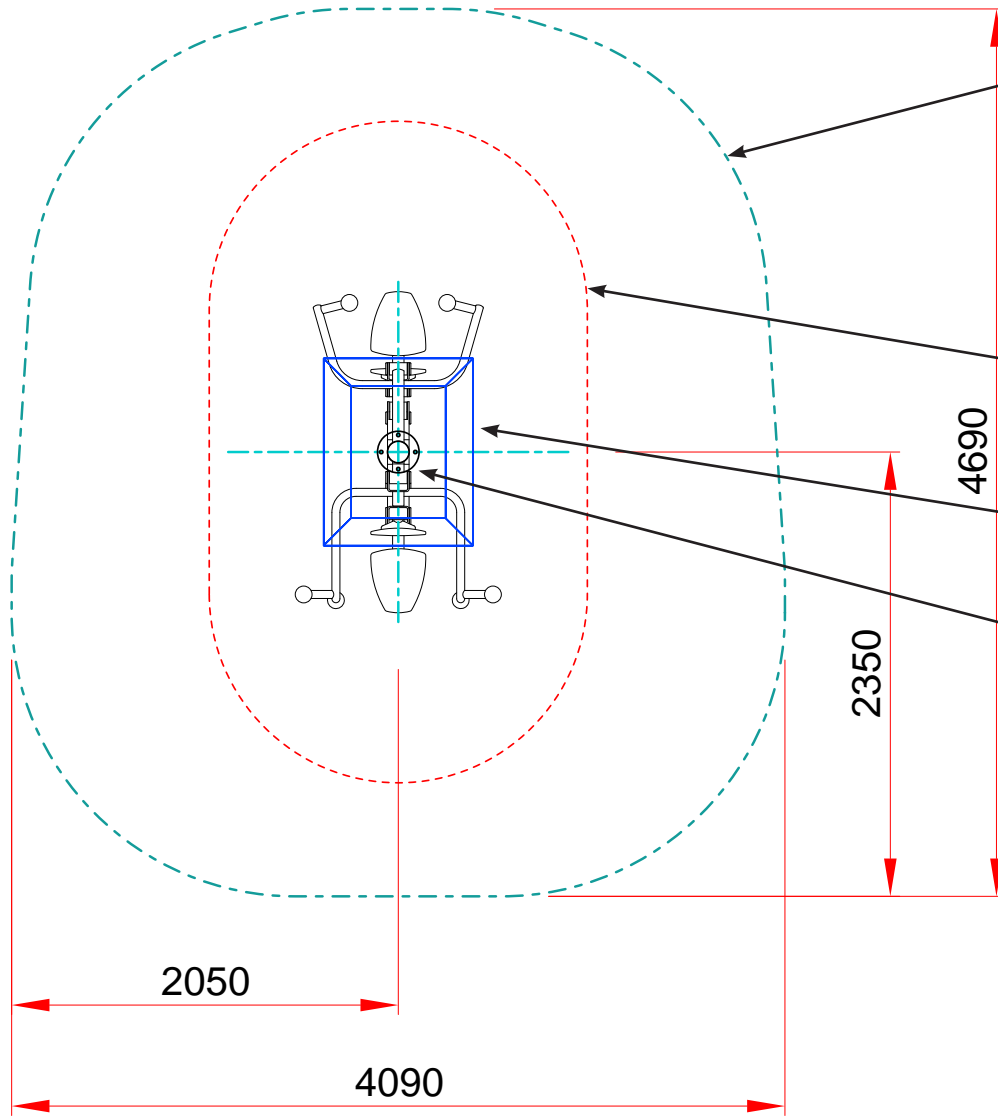
👁️	41
----	----

EN 16630
0.61m

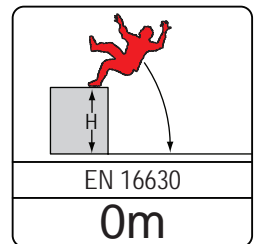
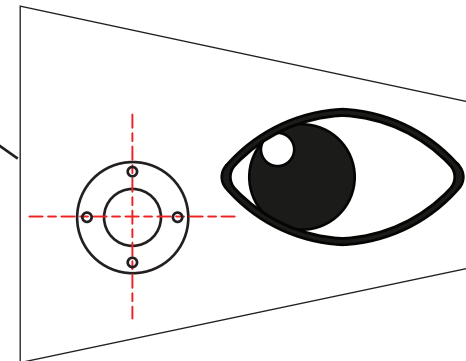
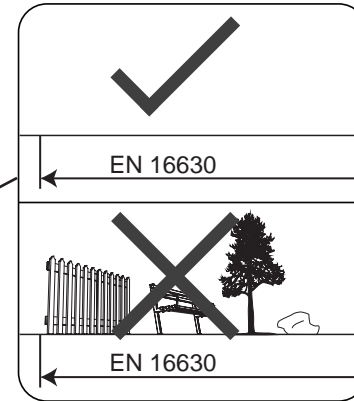
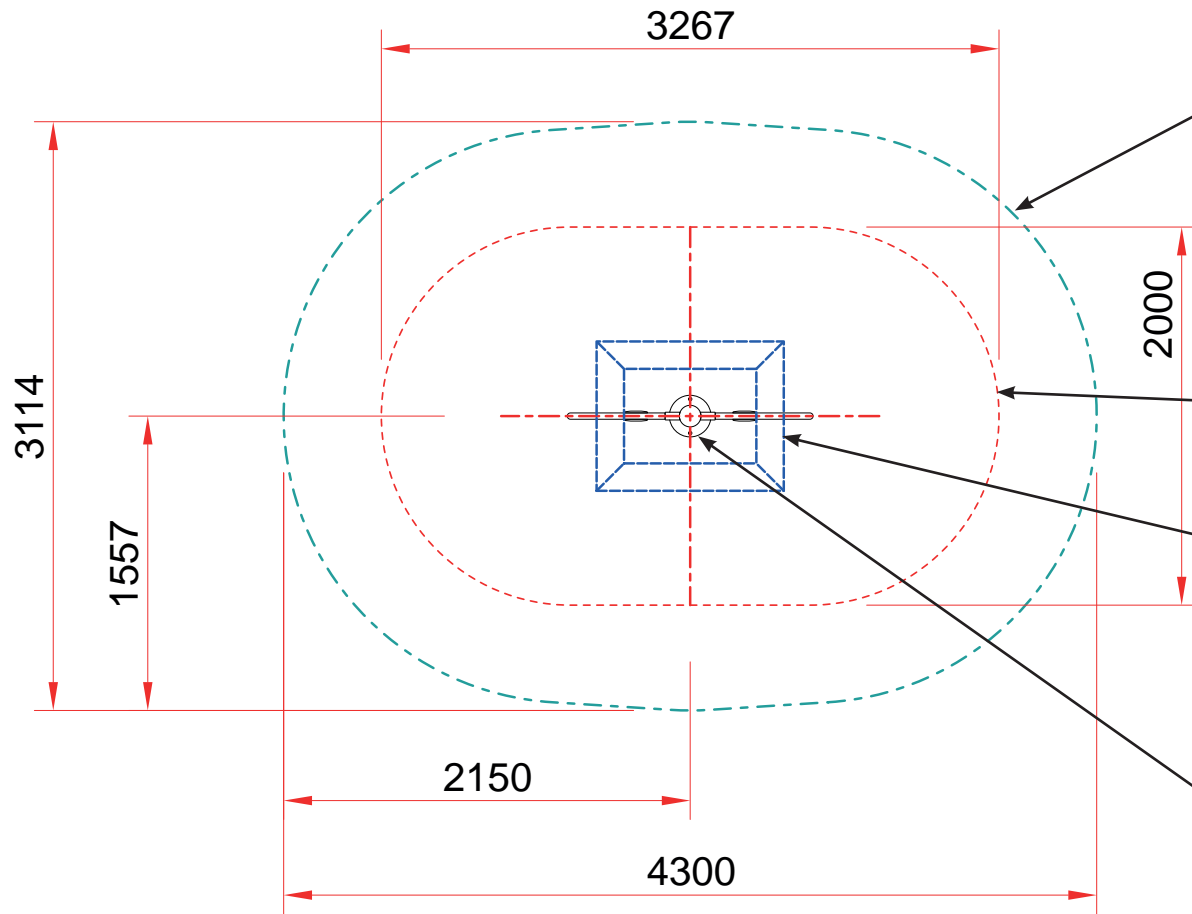
FS033 Lat Pull Down and Chest Press Combo



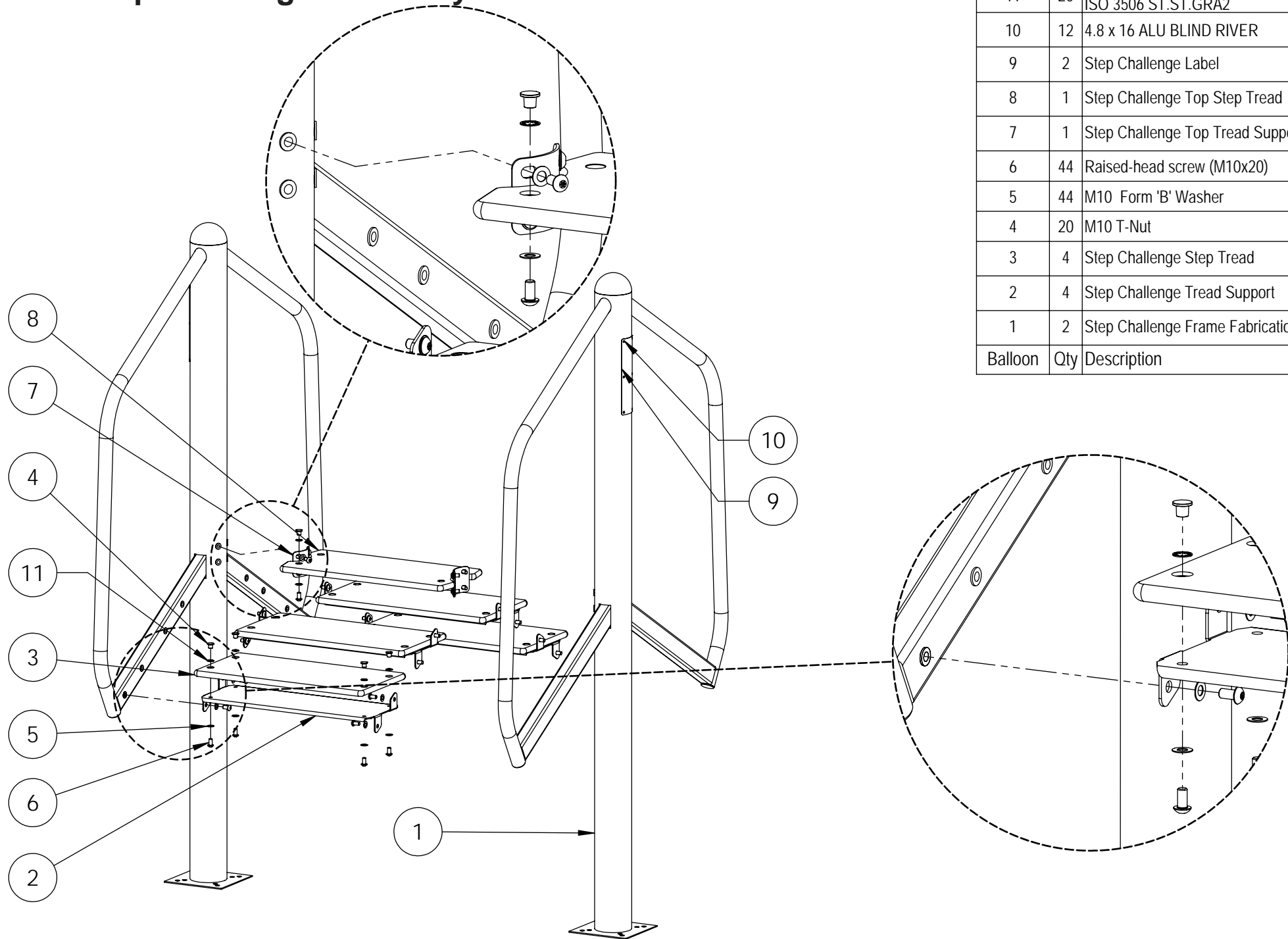
FS033A Lat Pull Down and Chest Press Combo



FS034 Arm Swirl

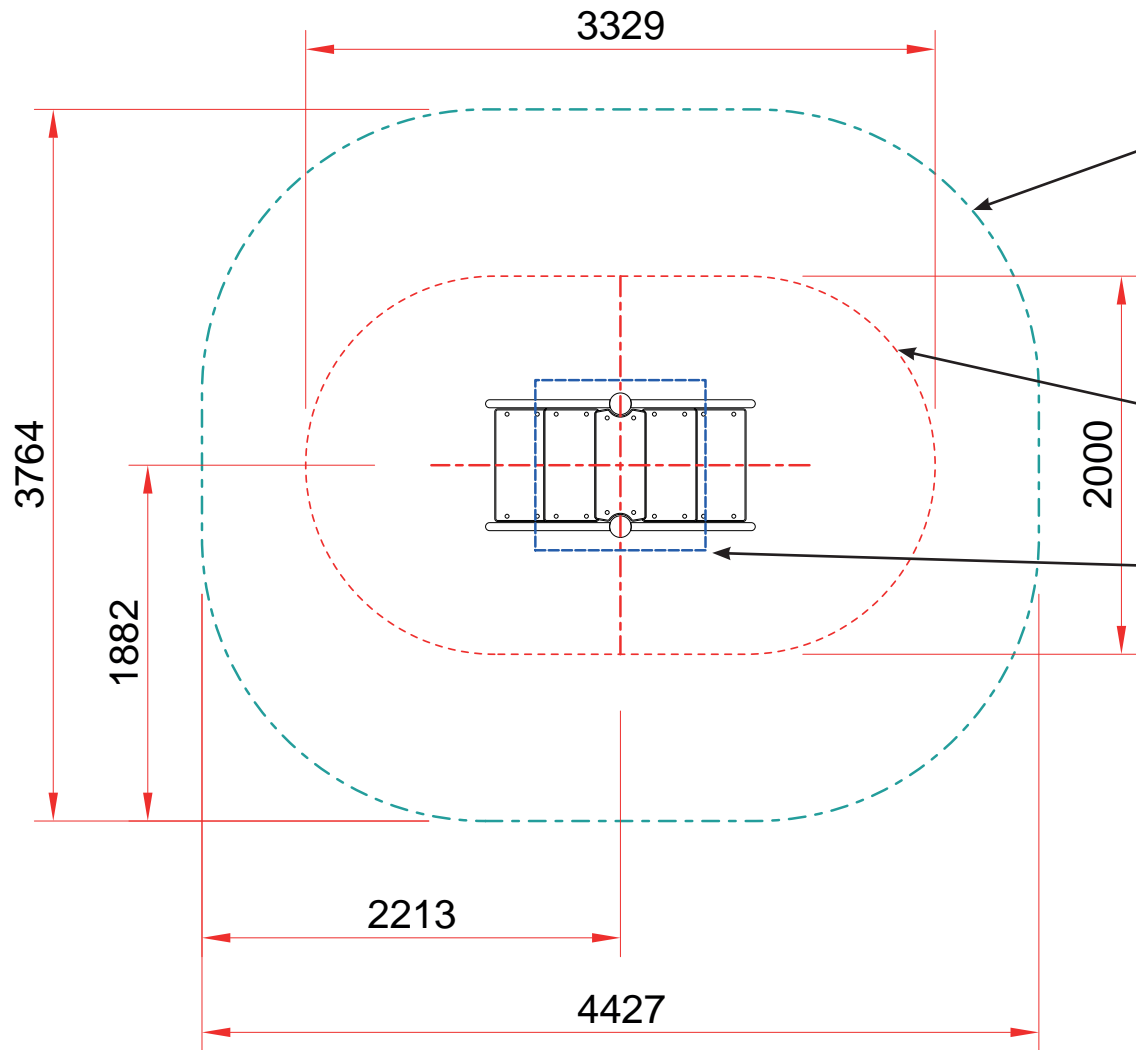


FS035 Step Challenge Assembly



11	20	M12 INT. SH/PROOF WASHER ISO 3506 ST.ST.GRA2	10301200
10	12	4.8 x 16 ALU BLIND RIVER	10360516
9	2	Step Challenge Label	FS70000035
8	1	Step Challenge Top Step Tread	GYM1811
7	1	Step Challenge Top Tread Support	GYM1809
6	44	Raised-head screw (M10x20)	10121020
5	44	M10 Form 'B' Washer	10291000
4	20	M10 T-Nut	10931000
3	4	Step Challenge Step Tread	GYM1810
2	4	Step Challenge Tread Support	GYM1808
1	2	Step Challenge Frame Fabrication	GYM1801
Ballon	Qty	Description	Doc. ID

FS035 Step Challenge



✓
EN 16630
✗
EN 16630

👁️	40
----	----

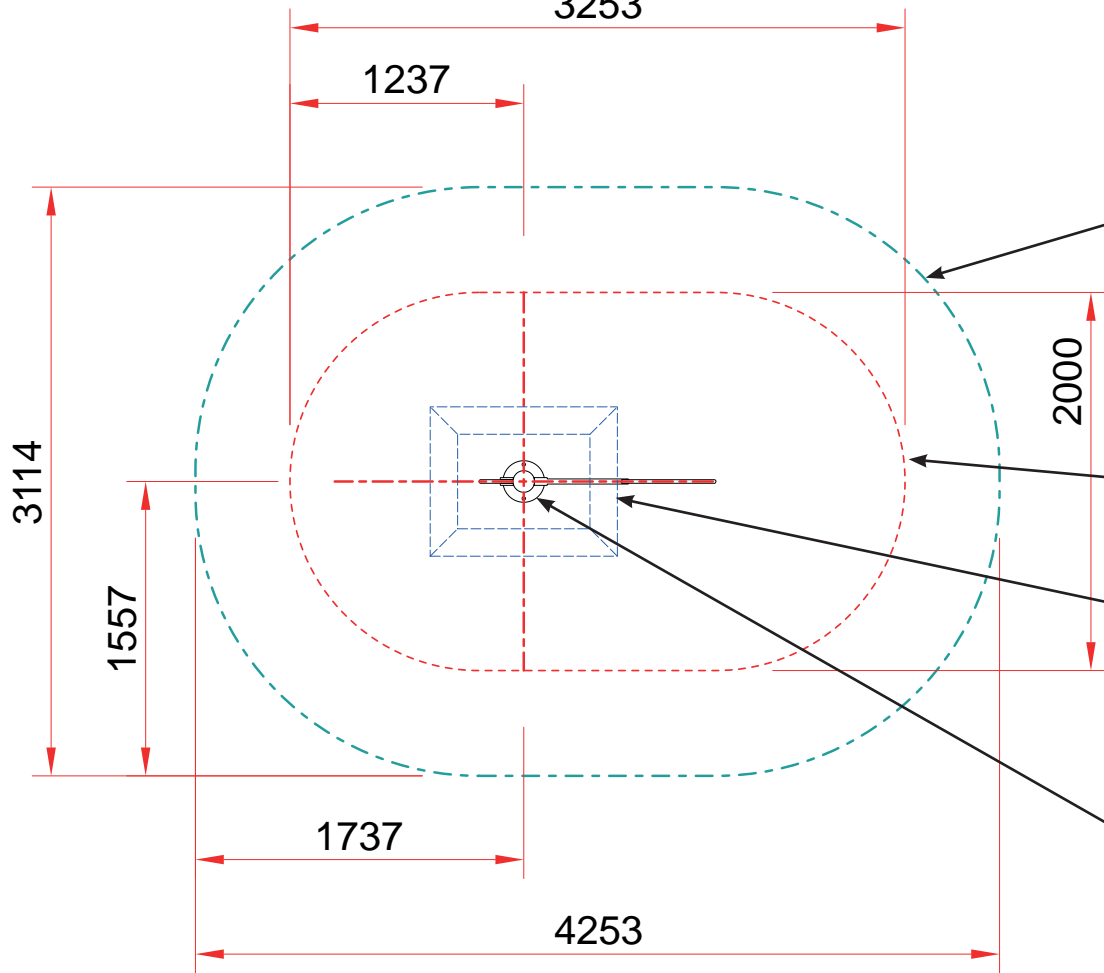
👁️	5
----	---



 H
EN 16630
0.45m

FS036 Finger & Arm Stretch

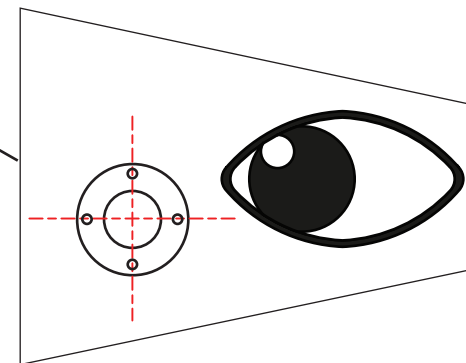
3253



EN 16630
EN 16630

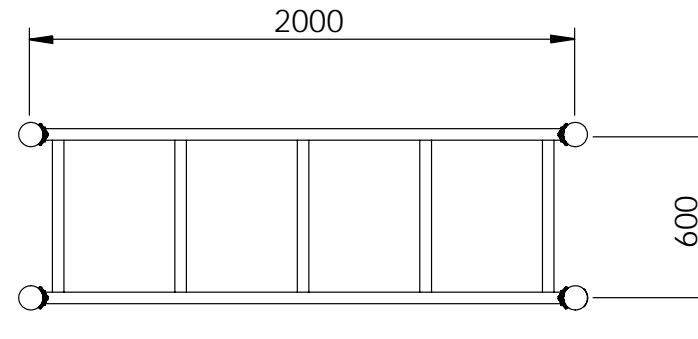
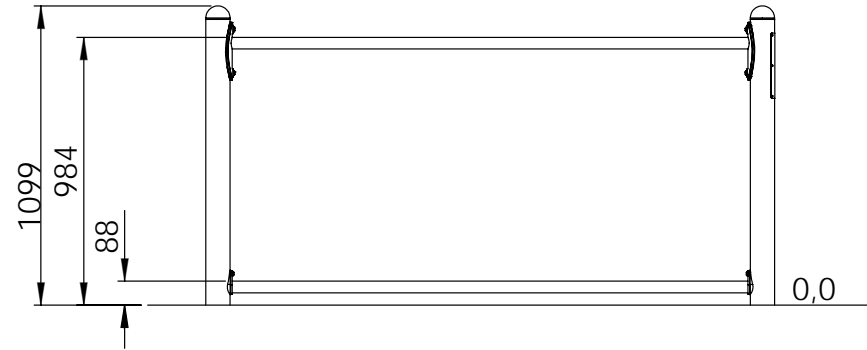
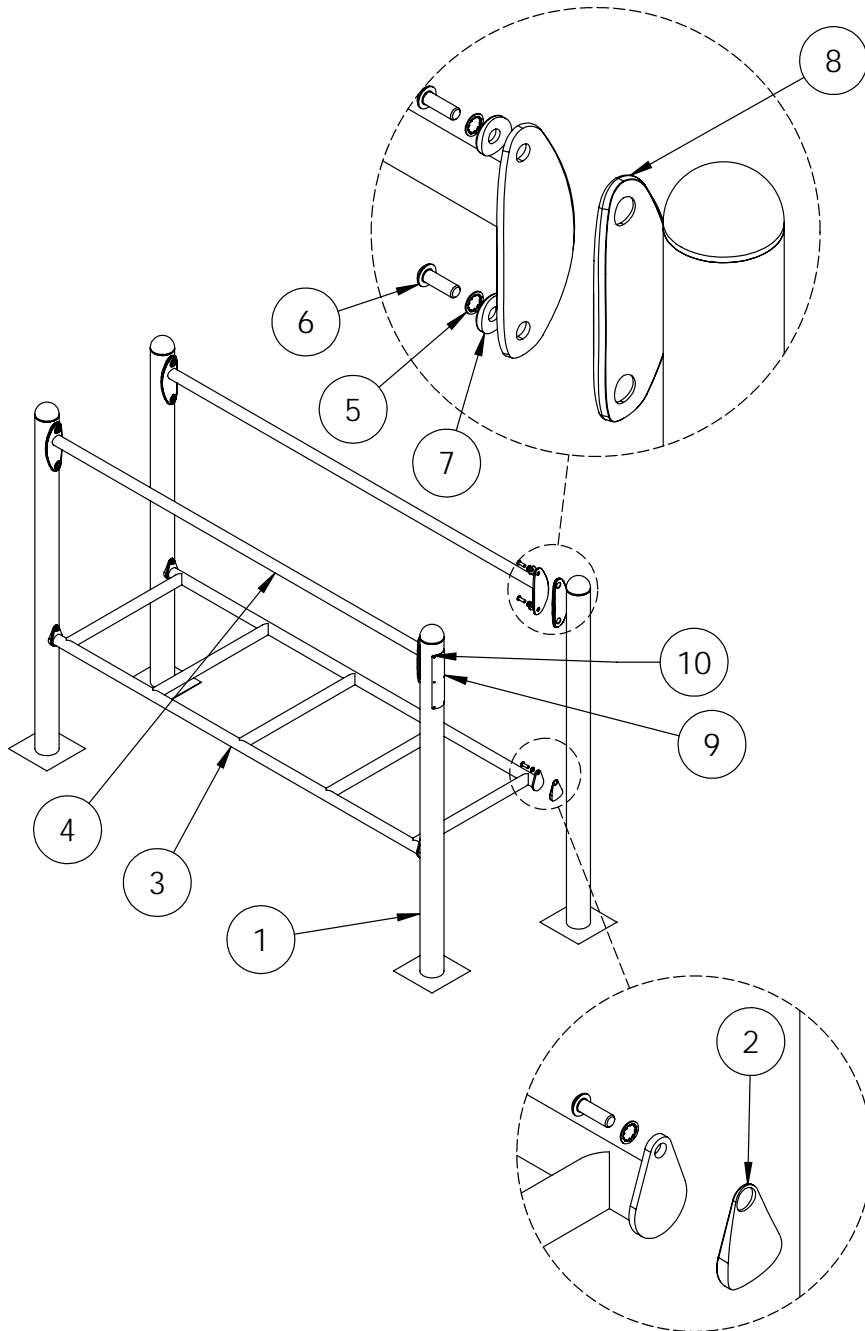
	40
--	----

	2
--	---



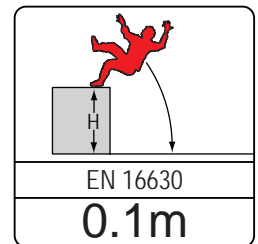
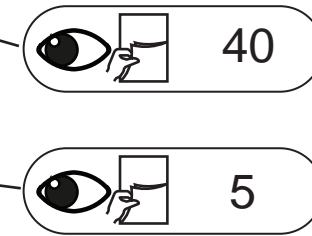
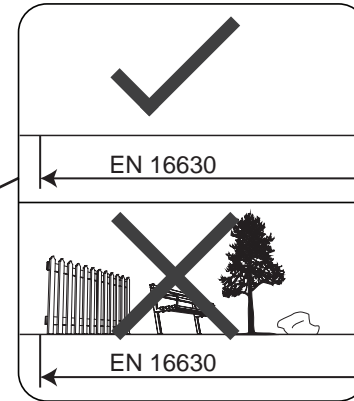
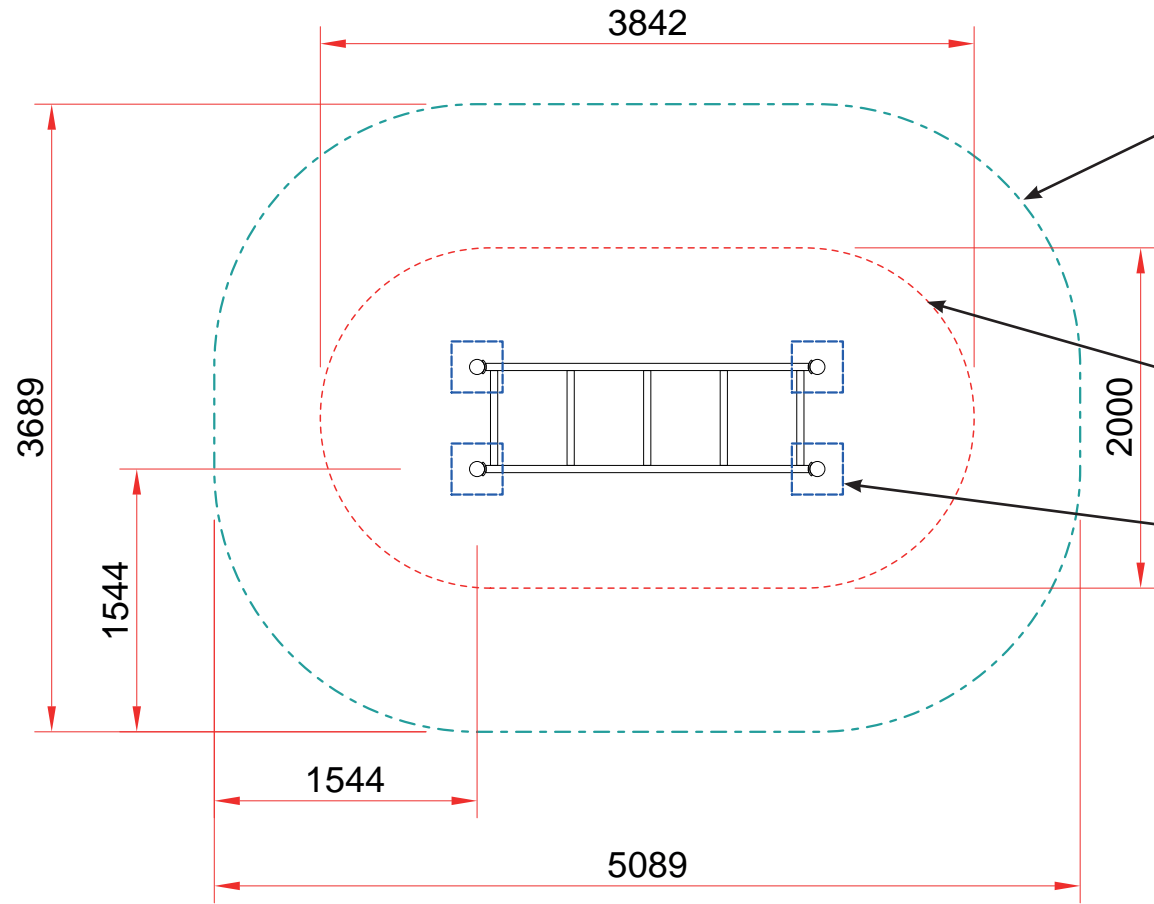
EN 16630
0m

FS037 Ladder Walk Assembly

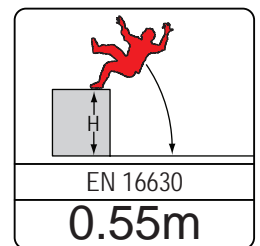
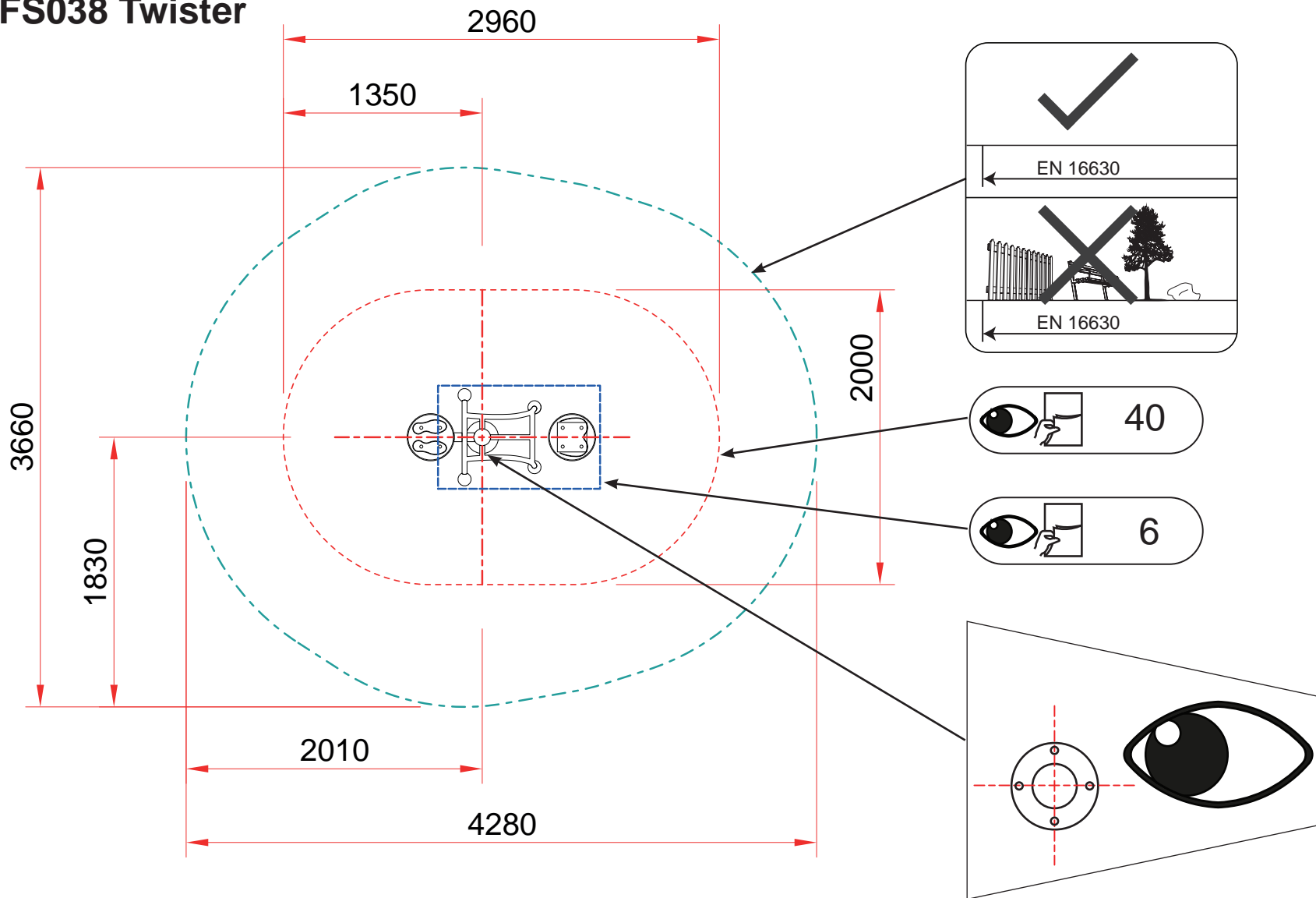


10	6	4.8 x 16 ALU BLIND RIVET	10360516
9	1	Ladder Walk Label	FS70000037
8	4	Tower Gasket Ø88.9	19023802
7	8	M10 SADDLE WASHER	38001019
6	12	Raised-head screw (M10x30)	10121030
5	12	M10-WASHER SH-PROOF	10301000
4	2	Ladder Walk Handrail	GYM2003
3	1	Ladder Walk Rungs	GYM2002
2	4	Sports Fixing Spacer	19025501
1	4	Ladder Walk Post	GYM2001
Balloon	Qty	Description	Doc. ID

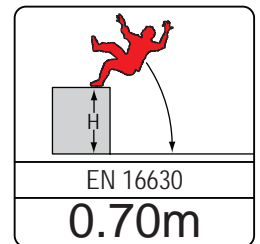
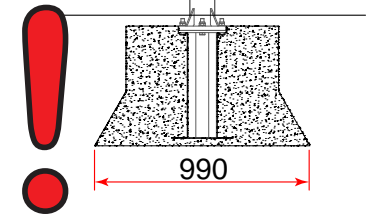
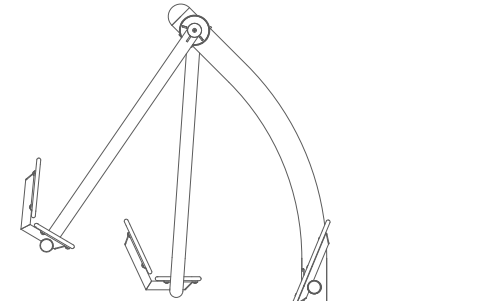
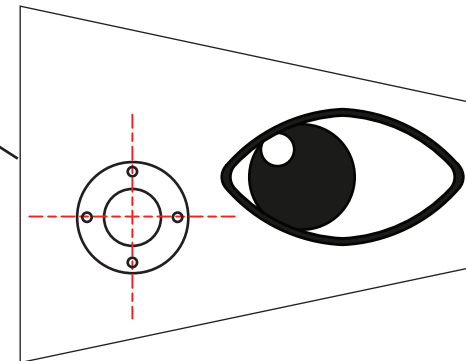
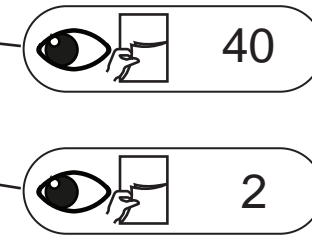
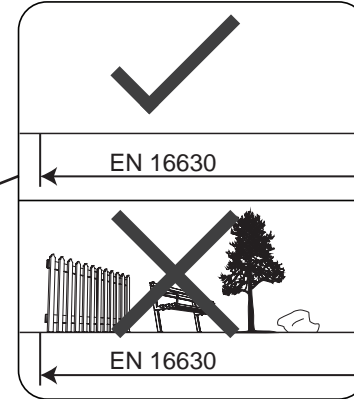
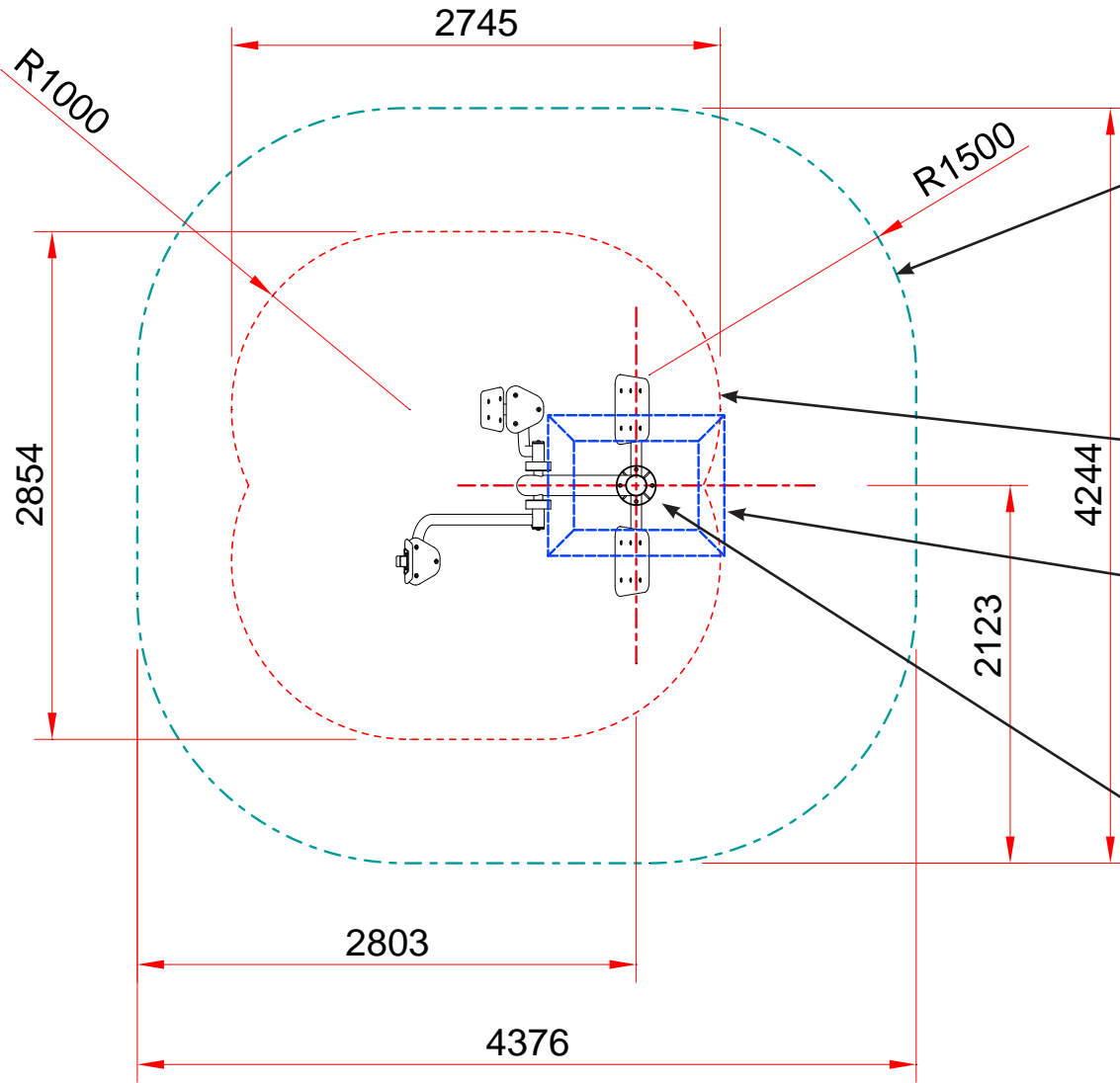
FS037 Ladder Walk



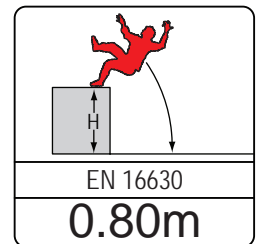
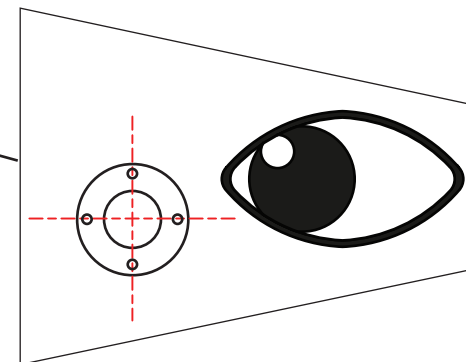
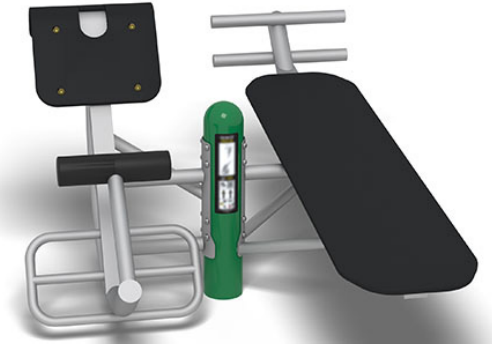
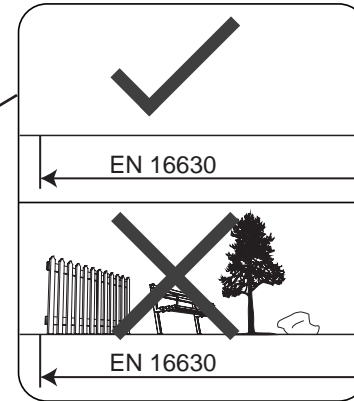
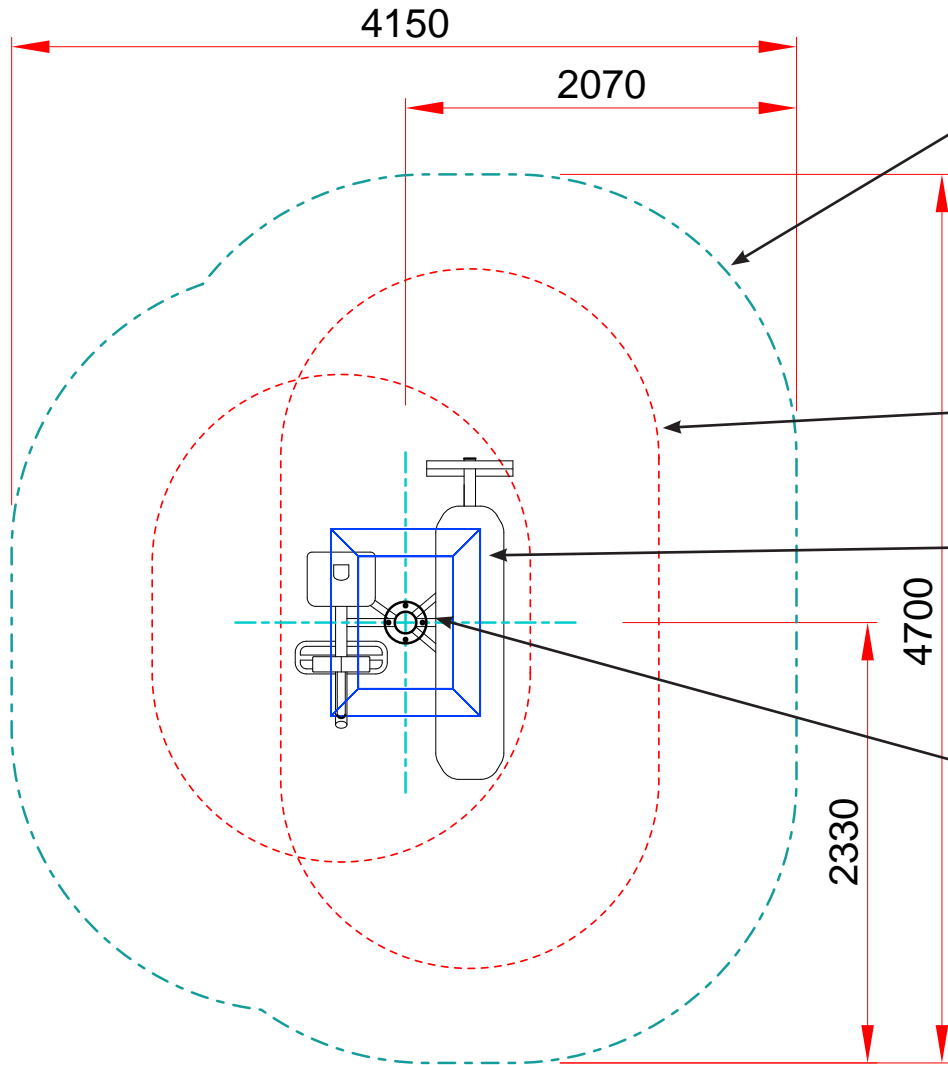
FS038 Twister



FS040 Leg Press



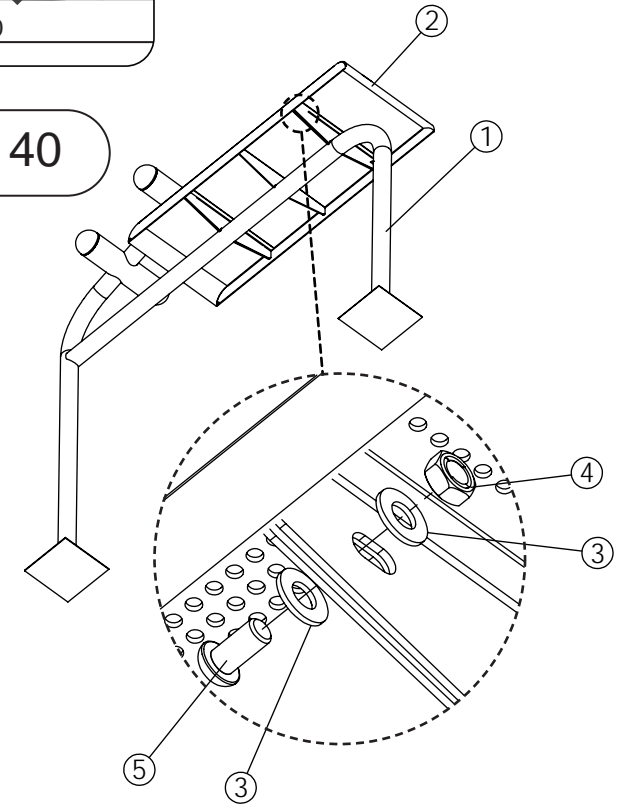
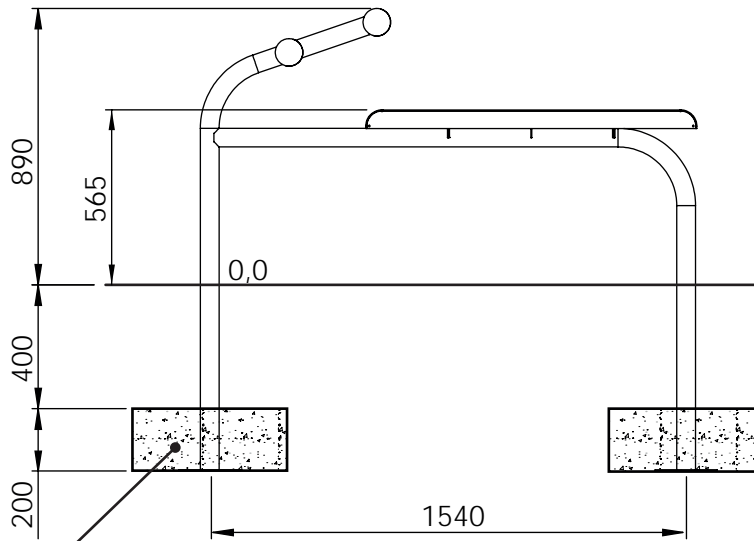
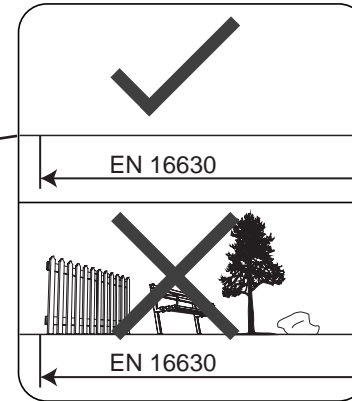
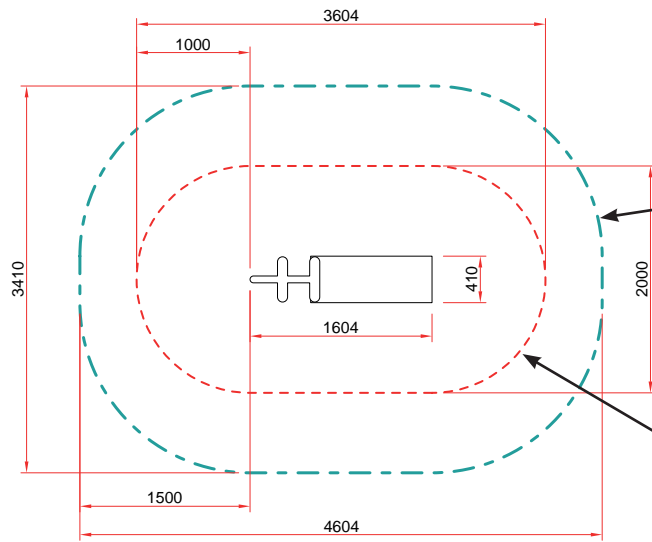
FS041A Combined Sit-up/Hyper Extension



EN 16630

0.80m

FS100 Sit-up

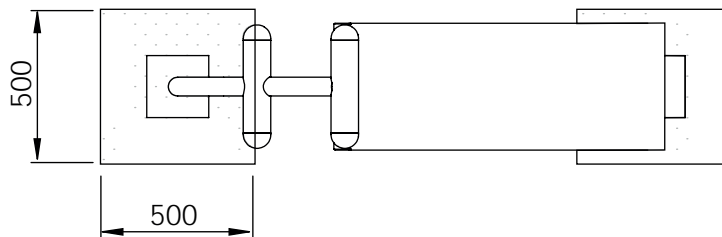


S25

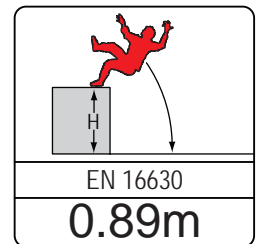
S2 (50mm)
≥C20-25

7 x 24h

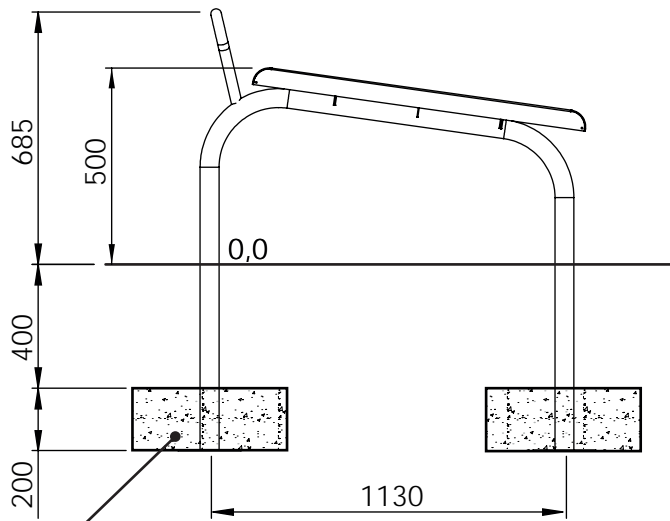
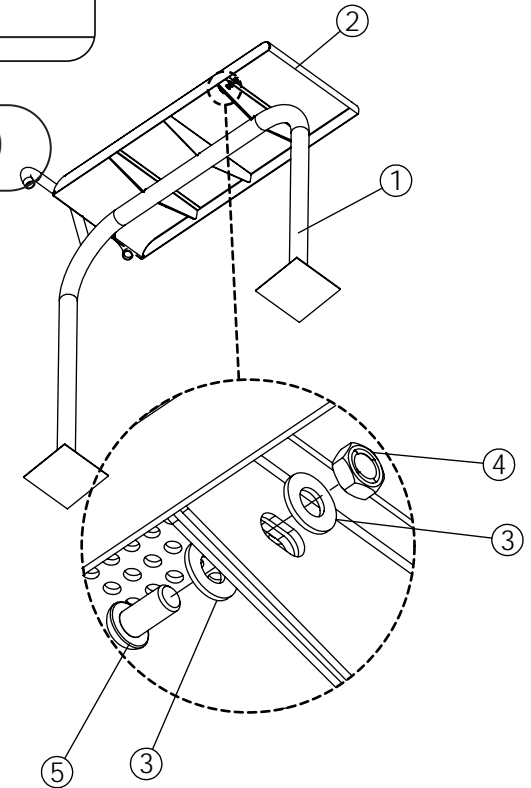
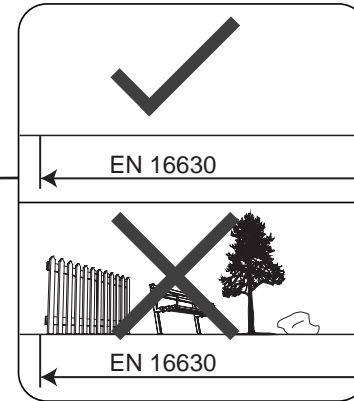
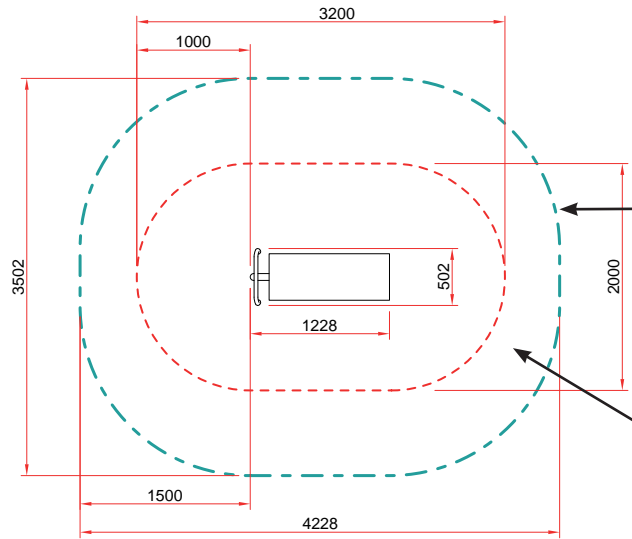
101




Key	Art No	Description	Qty
1	GYM500	Sit-up Frame	1
2	8038124	Large Seat	1
3	10291000	M10 Washer	8
4	10261000	M10 Nyloc Nut	4
5	10121030	M10 x 30 Resistorx	4




FS101 Body Curl




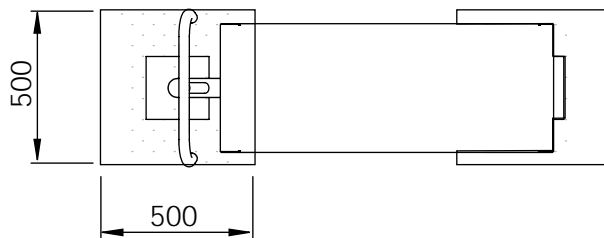
S25



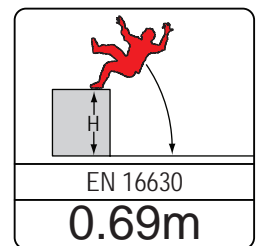
S2 (50mm)
≥C20-25

 7 x 24h

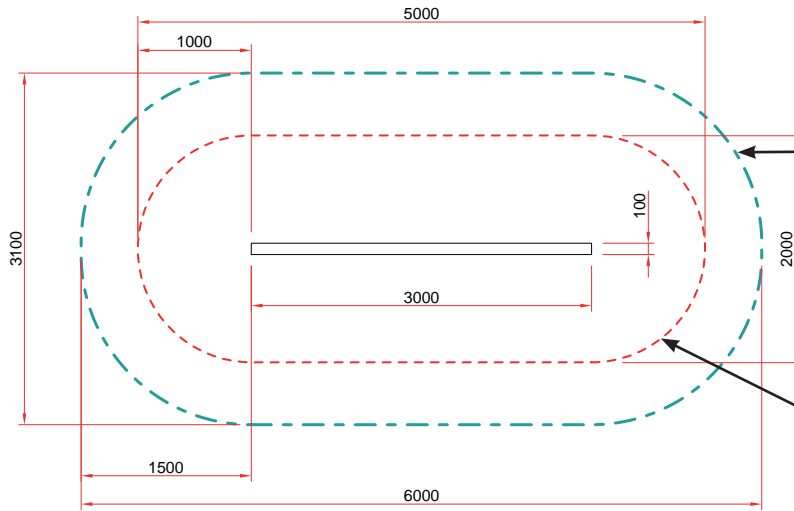
 101



Key	Art No	Description	Qty
1	GYM501	Body Curl Frame	1
2	8038124	Large Seat	1
3	10291000	M10 Washer	8
4	10261000	M10 Nyloc Nut	4
5	10121030	M10 x 30 Resistorx	4

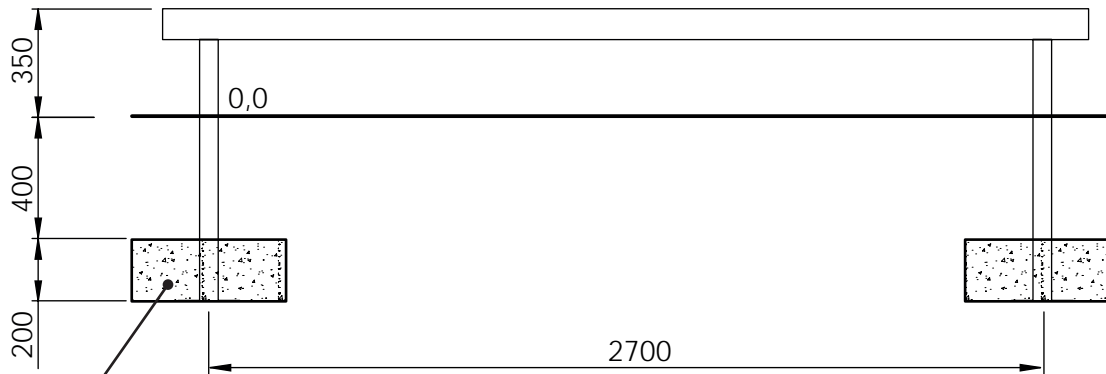


FS102 Balance Beam



✓
EN 16630
✗
EN 16630

👁️	40
----	----

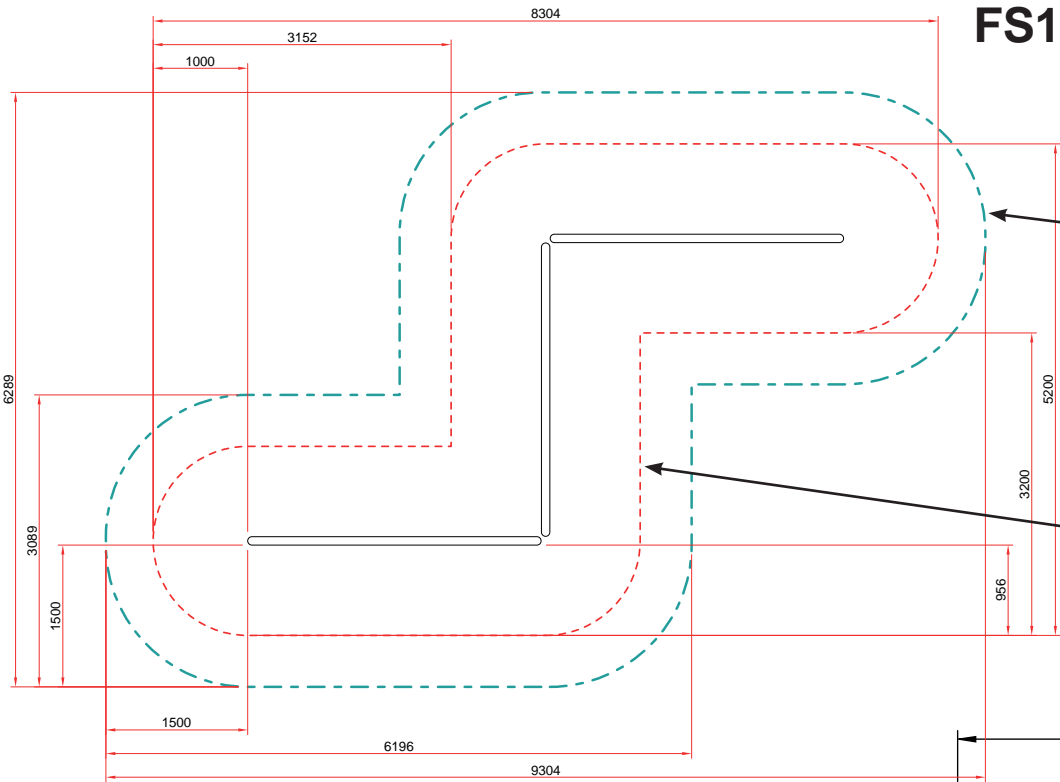


S25	
S2 (50mm)	≥C20-25
	7 x 24h
	101



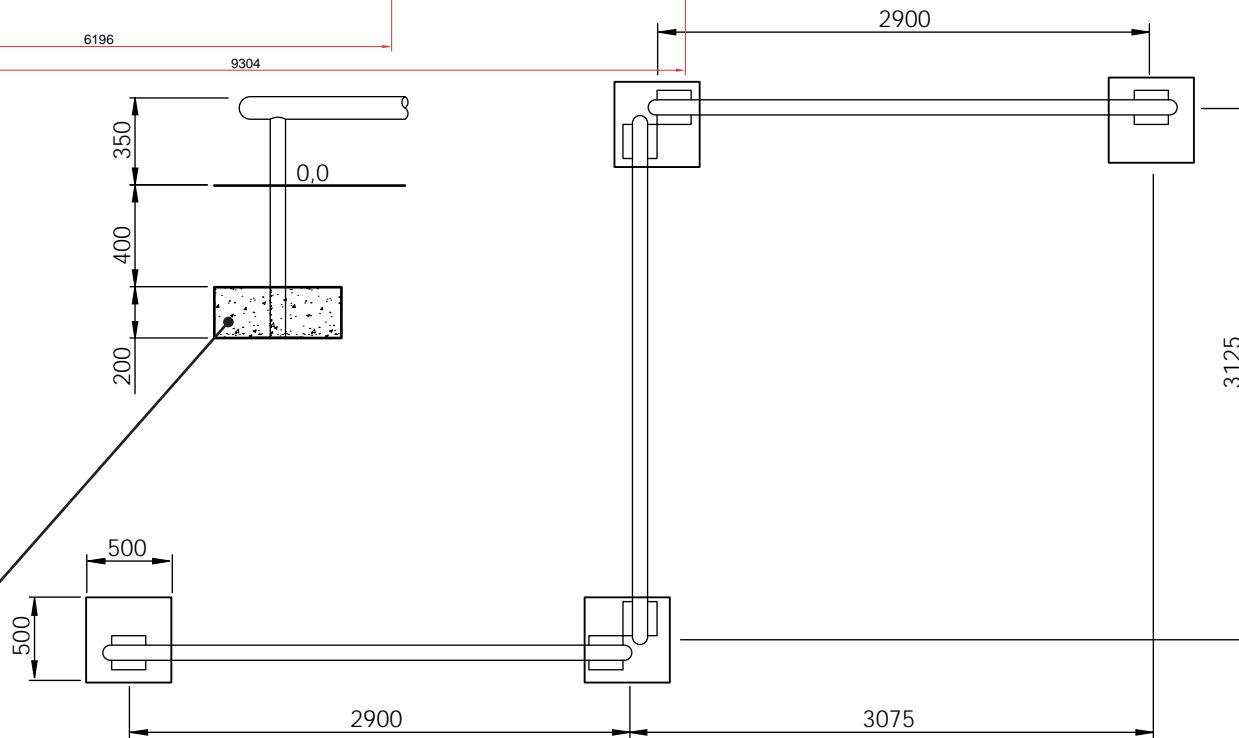
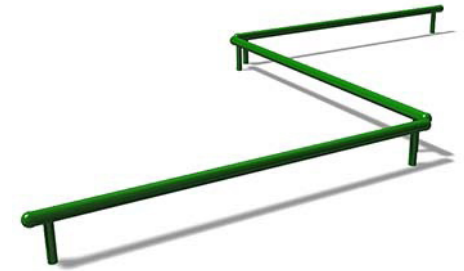
EN 16630
0.35m

FS103 Beam Jump



✓
← EN 16630
✗
← EN 16630

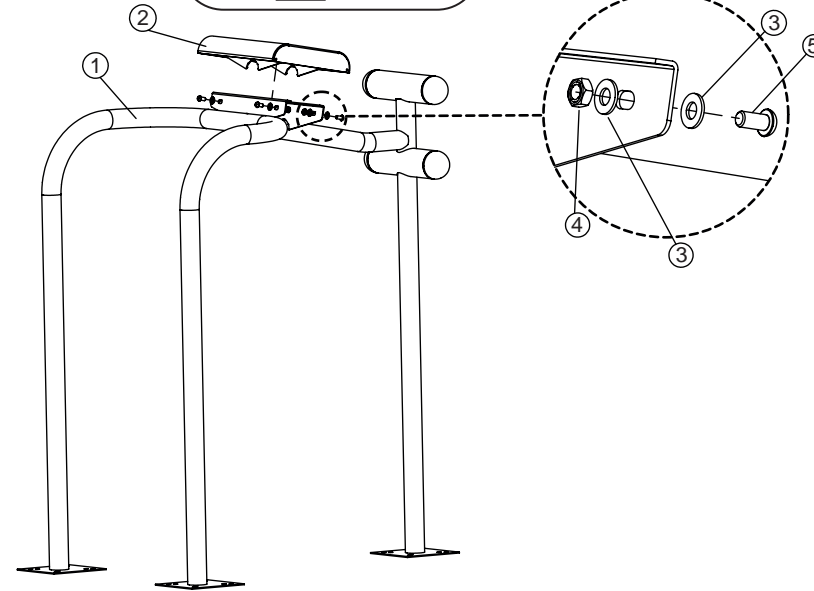
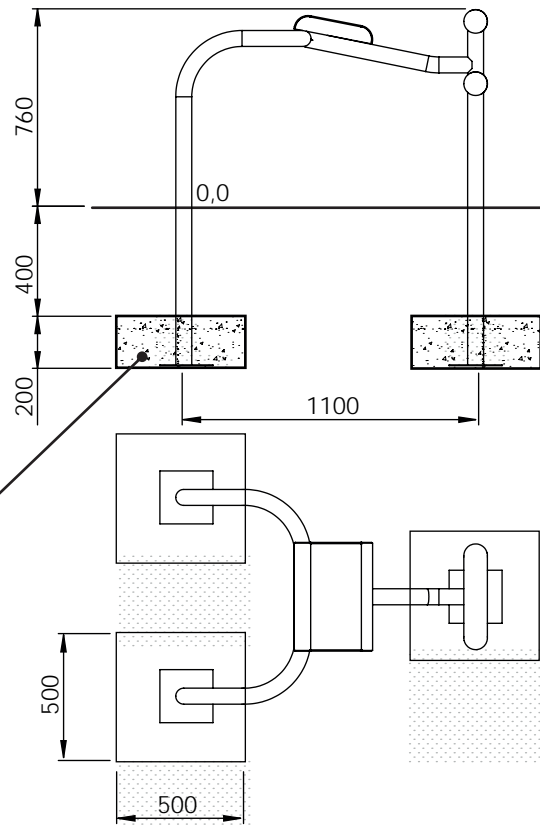
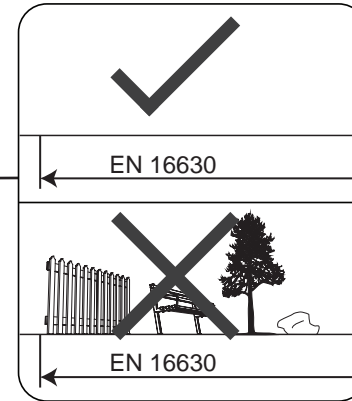
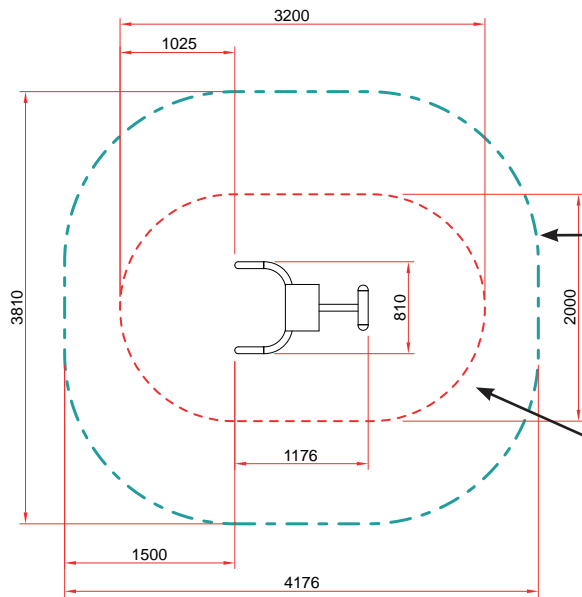
		40
--	--	----



S25
S2 (50mm) ≥C20-25
7 x 24h
101

EN 16630
0.35m

FS104 Hyper-Extension Bench



S25

S2 (50mm)
≥C20-25

7 x 24h

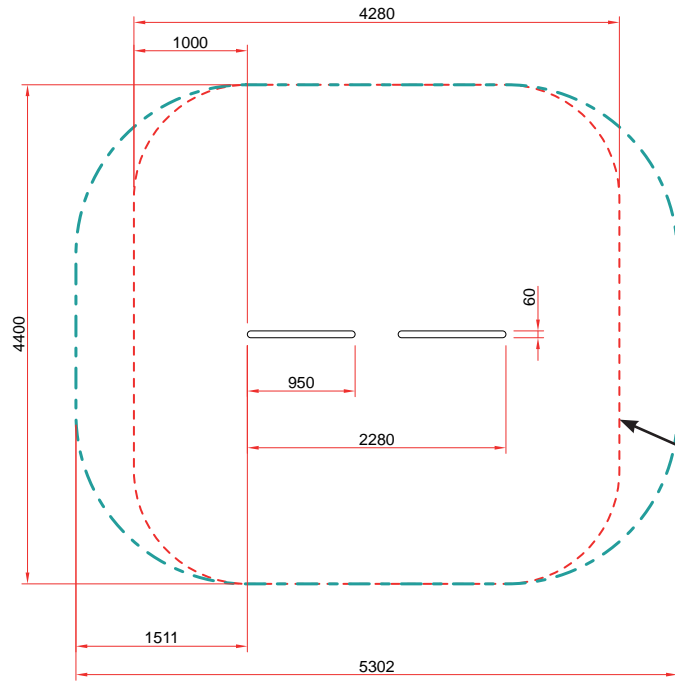
101

Key	Art No	Description	Qty
1	GYM504	Hyperextension Frame	1
2	8038197	Small Seat	1
3	10291000	M10 Washer	8
4	10261000	M10 Nyloc Nut	4
5	10121030	M10 x 30 Resistorx	4

EN 16630

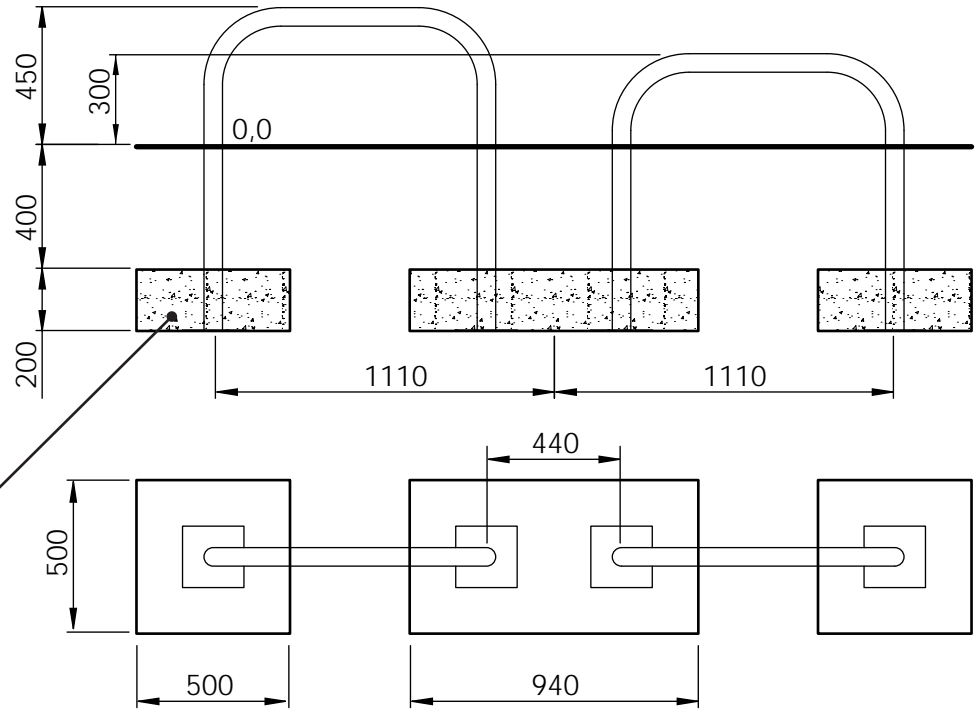
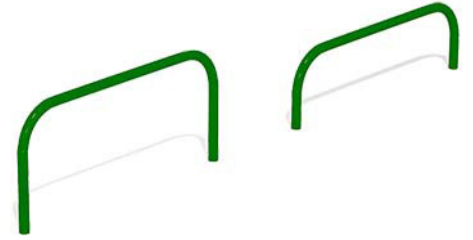
0.76m

FS105 Push Up



✓
← EN 16630
✗
← EN 16630

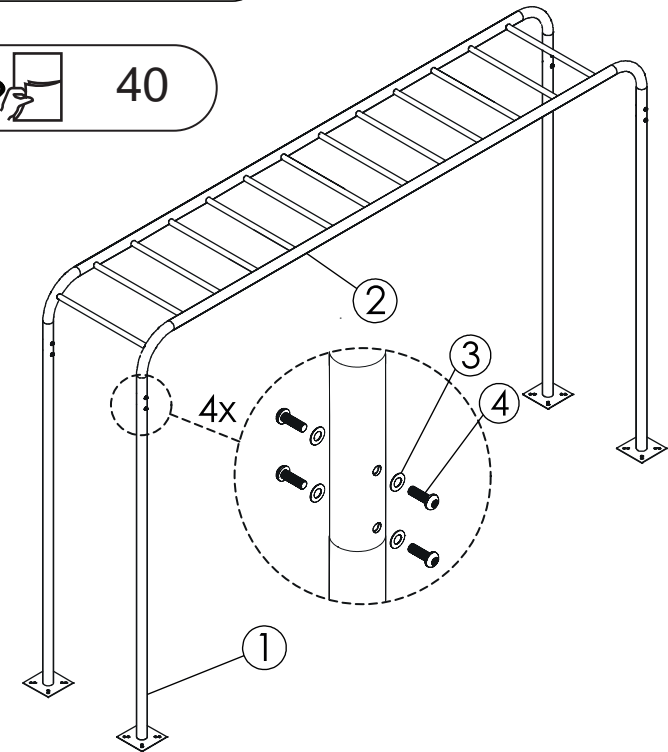
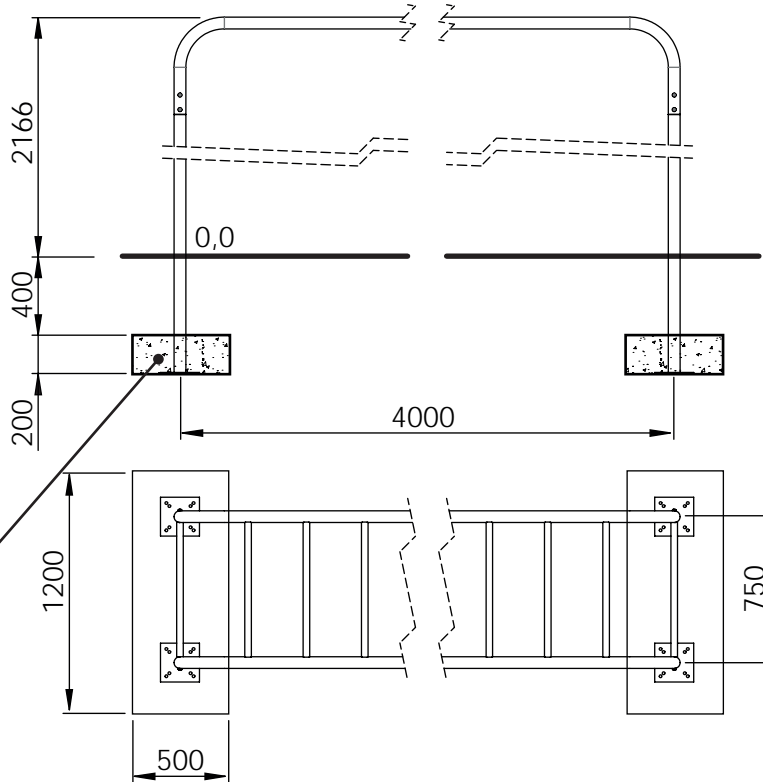
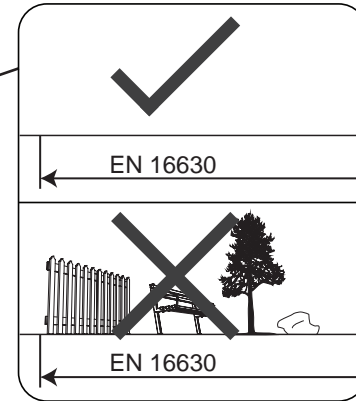
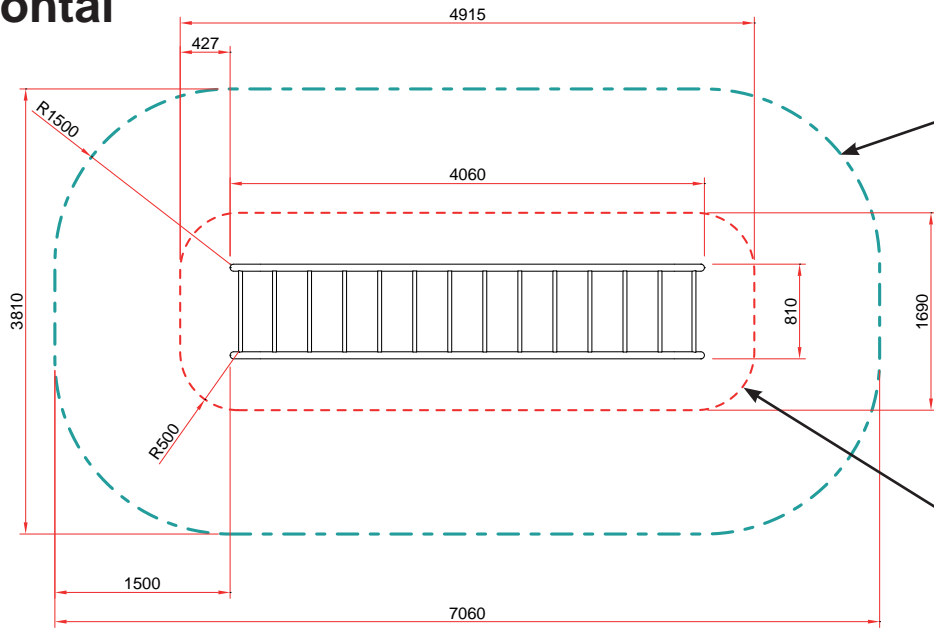
40



S25	
S2 (50mm)	≥C20-25
	7 x 24h
	101

← EN 16630
0.45m

FS106 Horizontal Ladder



S25

S2 (50mm)
≥C20-25

7 x 24h

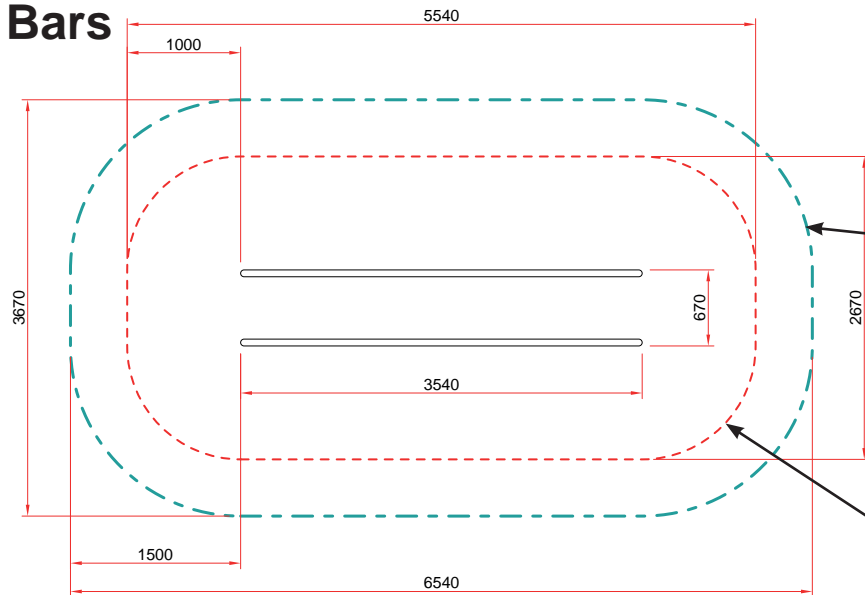
101

Key	Art No	Description	Qty
1	GYM570	Horizontal Ladder Upright	4
2	GYM571	Horizontal Ladder Top Frame	1
3	10291000	M10 Washer	16
4	10121030	M10 x 30 Resistorx	16

EN 16630

1.15m

FS107 Parallel Bars

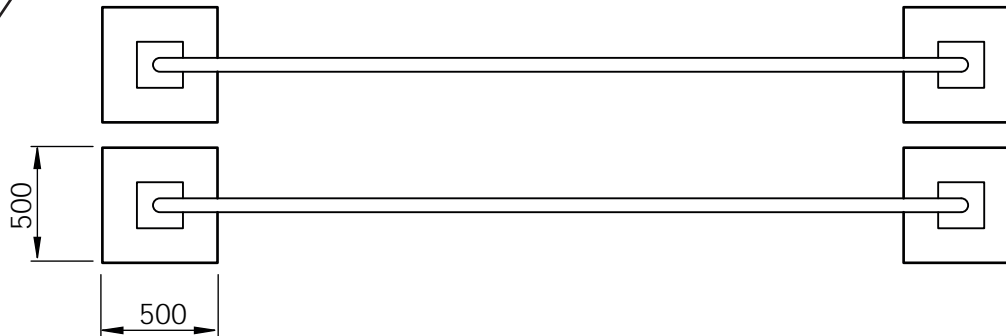


EN 16630
EN 16630

	40
--	----

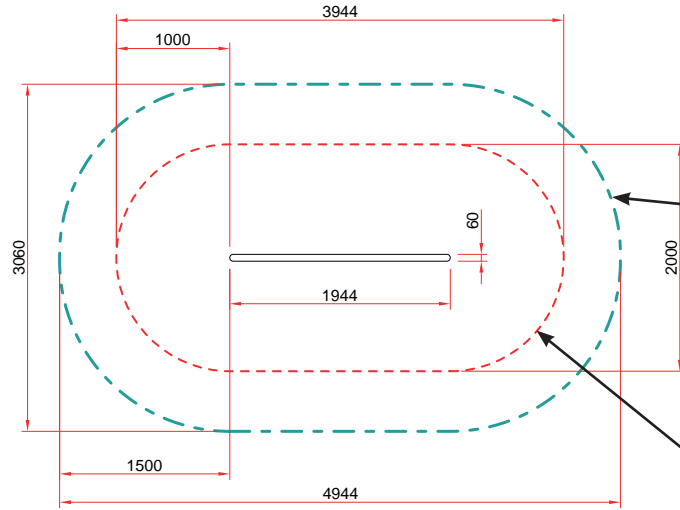


S25
S2 (50mm) ≥C20-25
7 x 24h
101



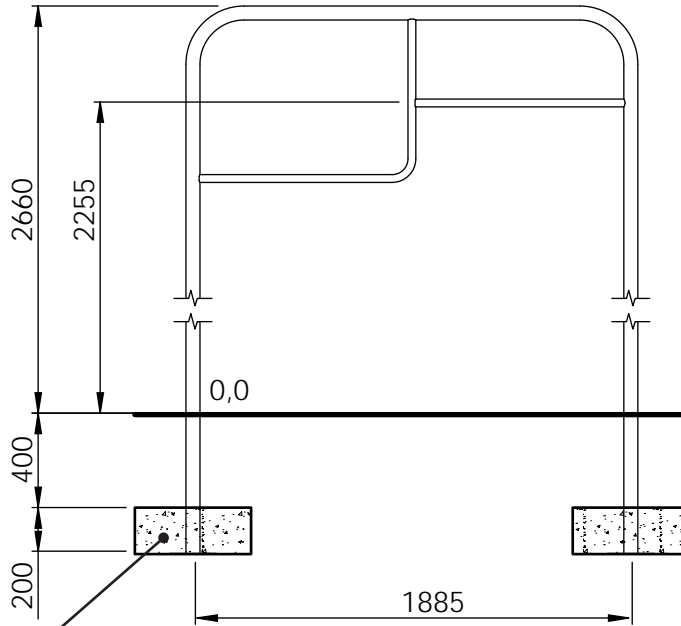
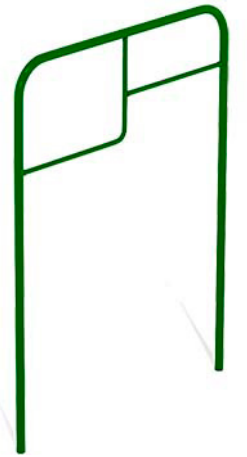
EN 16630
0.95m

FS108 Chin Up

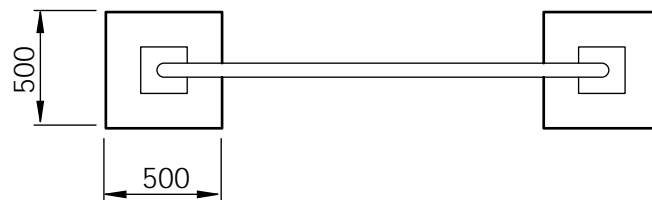


✓
EN 16630
✗
EN 16630

40

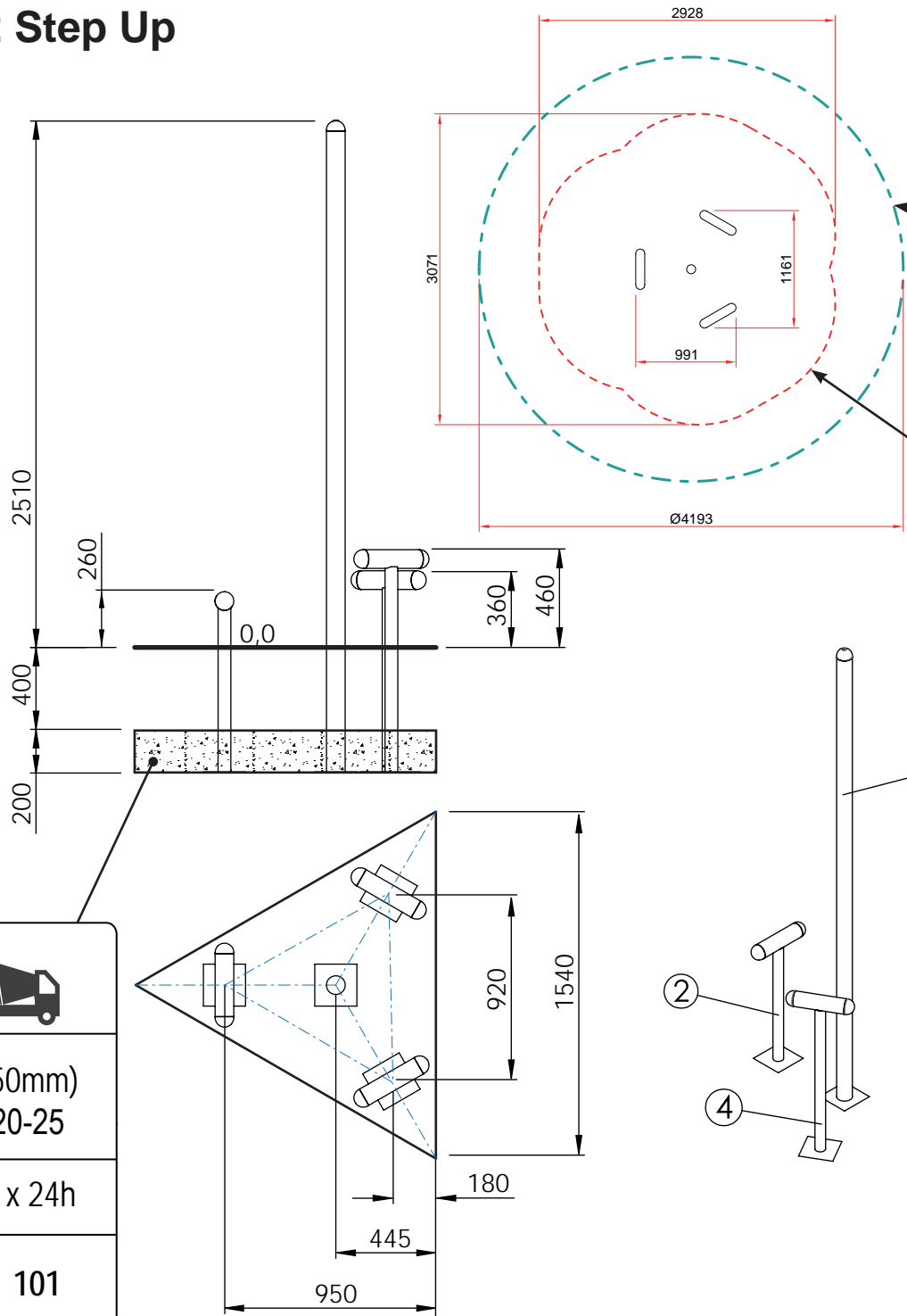



S25	
S2 (50mm)	≥C20-25
	7 x 24h
	101




EN 16630
1.26m

FS112 Step Up






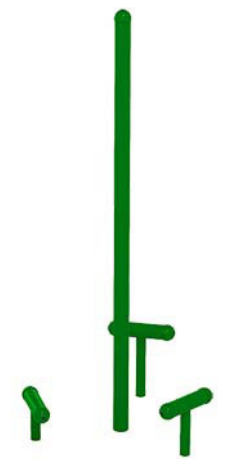
EN 16630




EN 16630




40




S25



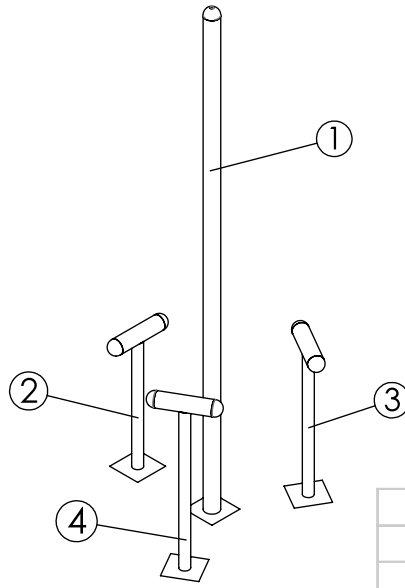
S2 (50mm)
≥C20-25



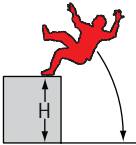
7 x 24h



101



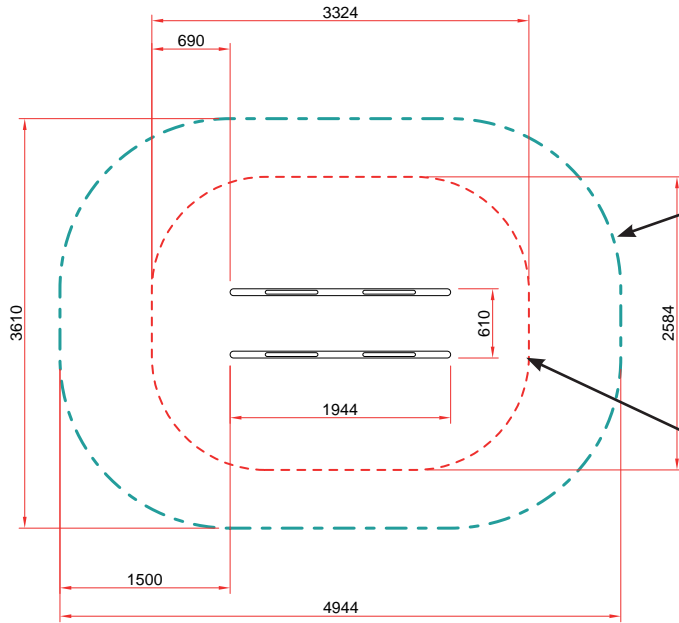
Key	Art No	Description	Qty
1	GYM512	Step Up Post	1
2	GYM556	860 Step Up	1
3	GYM557	960 Step Up	1
4	GYM558	1060 Step Up	1



EN 16630

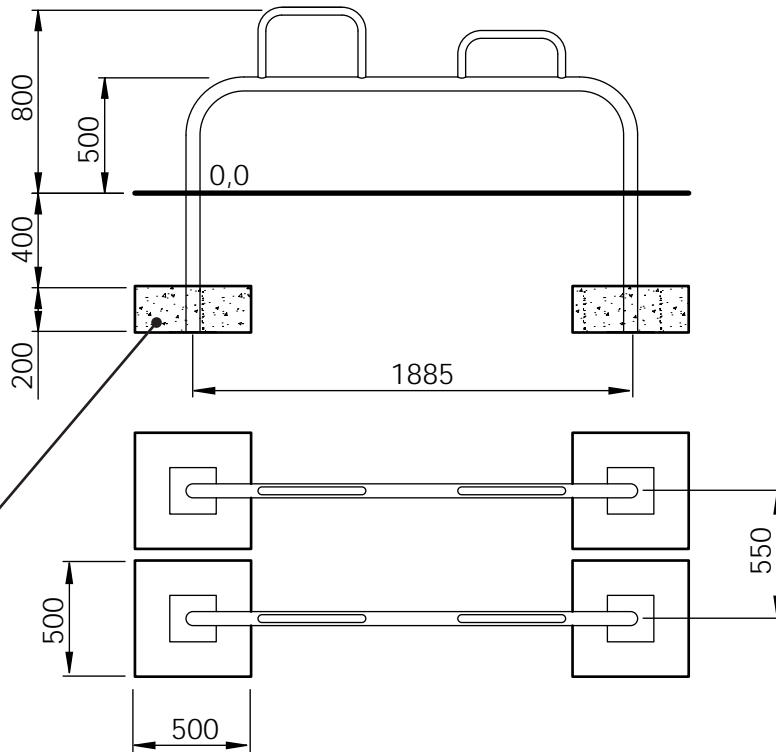
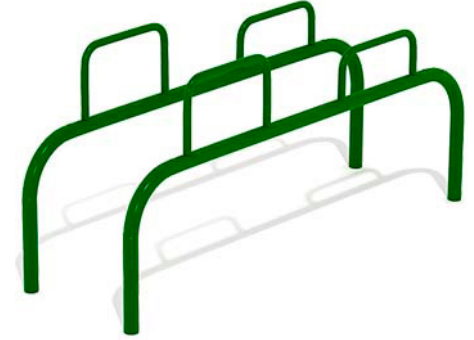
0.46m

FS113 Dip Station



✓
← EN 16630
✗
← EN 16630

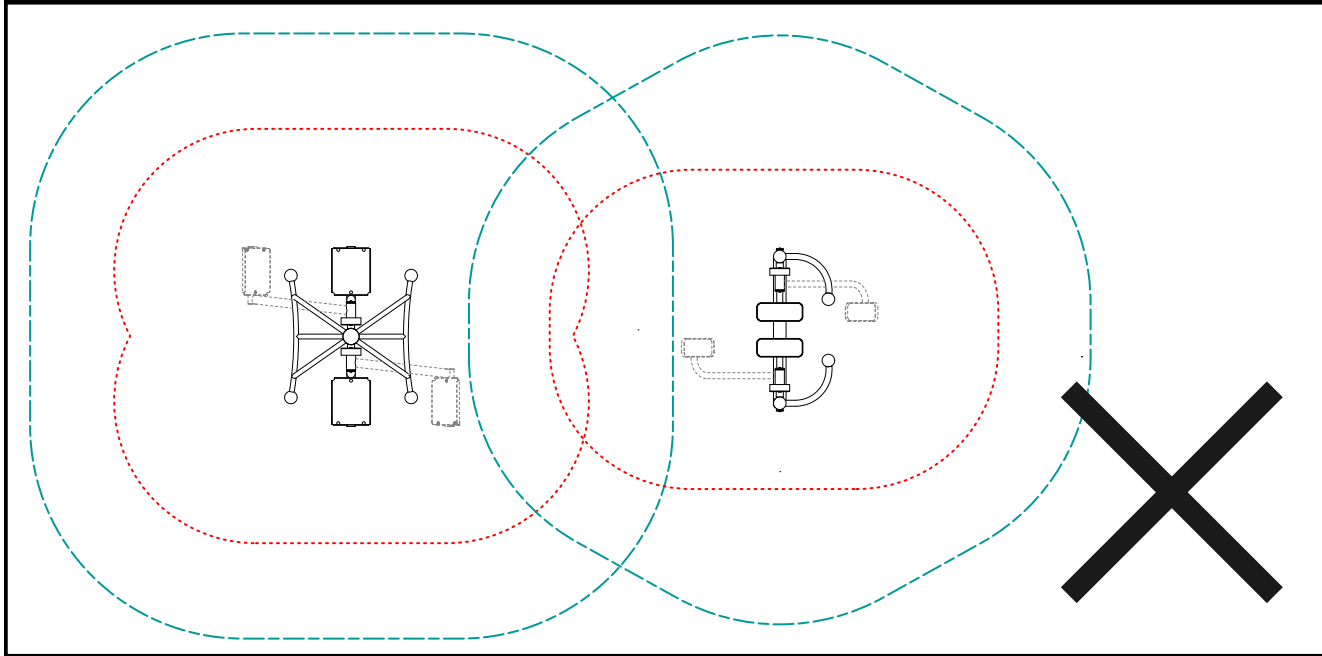
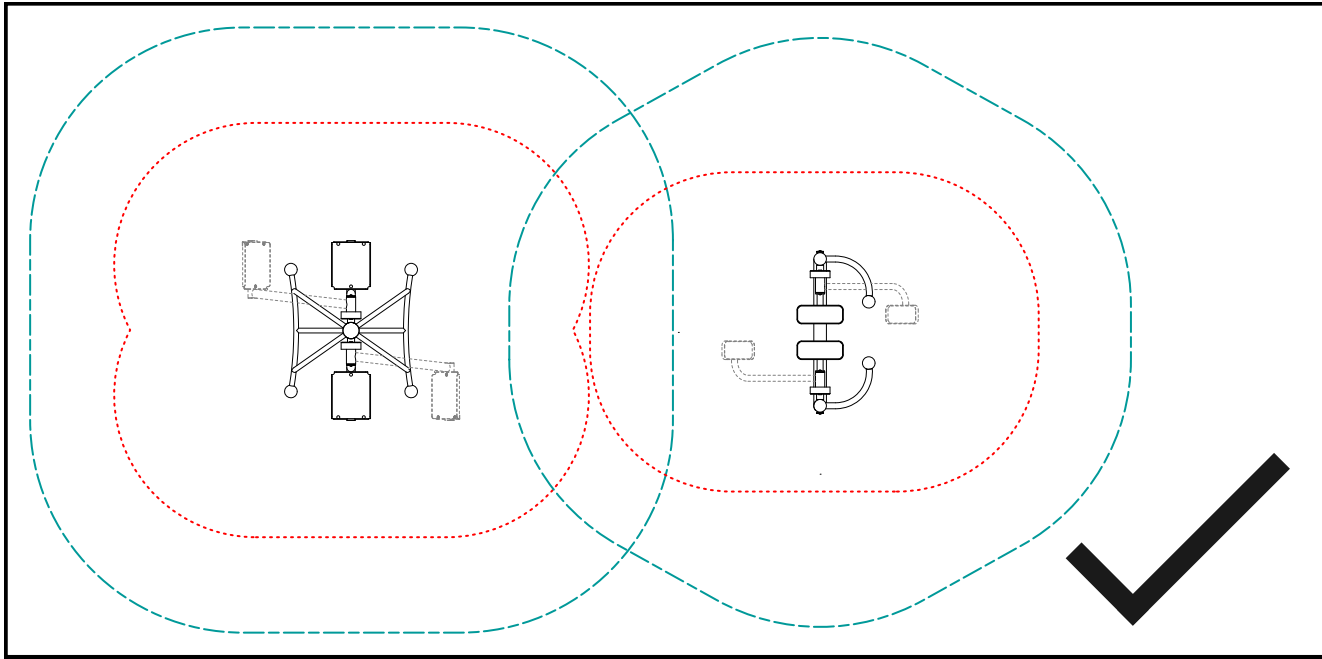
	40
--	----



S25
S2 (50mm) ≥C20-25
7 x 24h
101

EN 16630
0.8m

Appendix A_EN 16630 Zones



Appendix B_Rower-Position Check

