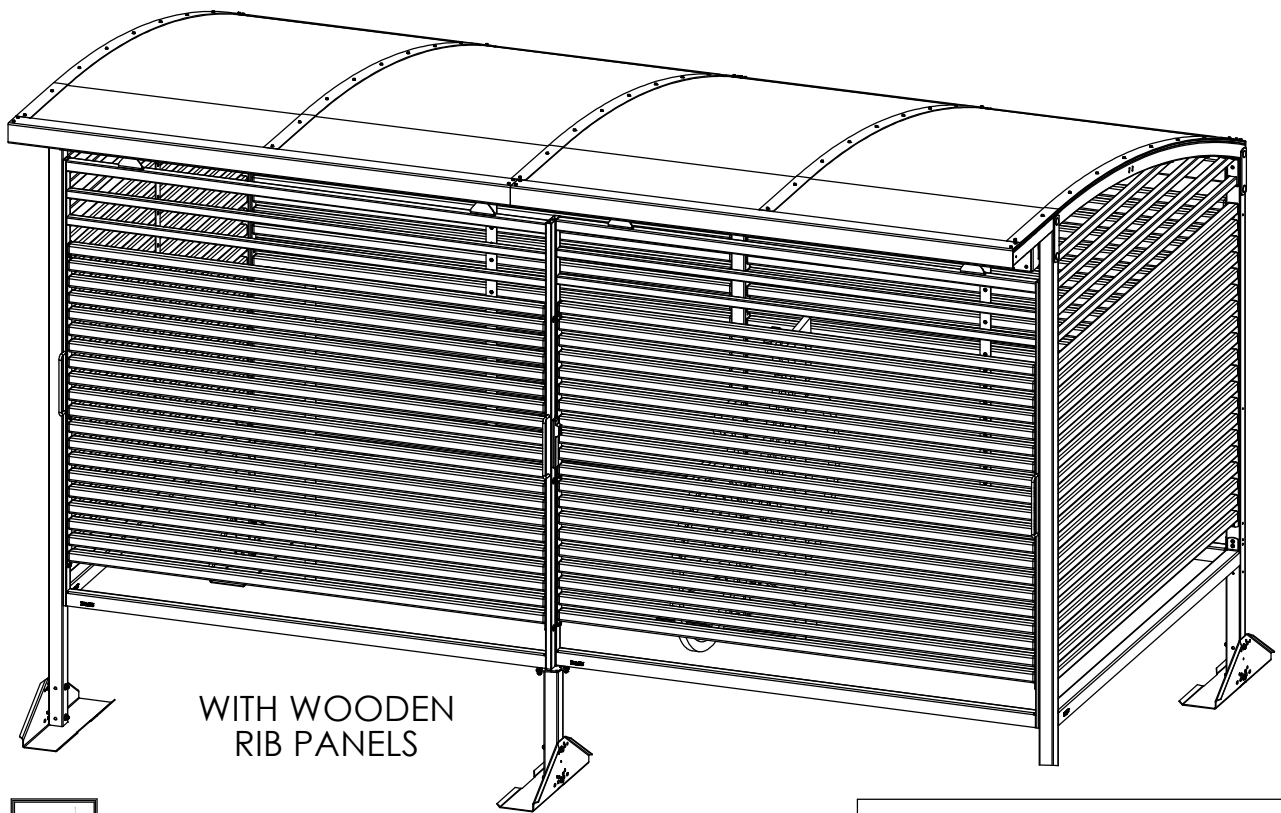


WITH EXPANDED
METAL PANELS



WITH WOODEN
RIB PANELS



4h



Varje vecka
Every week
Jede woche
Chaque semaine



Varje säsong
Every season
Jedes Jahr
Chaque saison

HAGS

ANEBY, SWEDEN
+46(0)380-
47300
www.hags.com

Gates, bicycle garage (S)

MASW55658

1 (12)



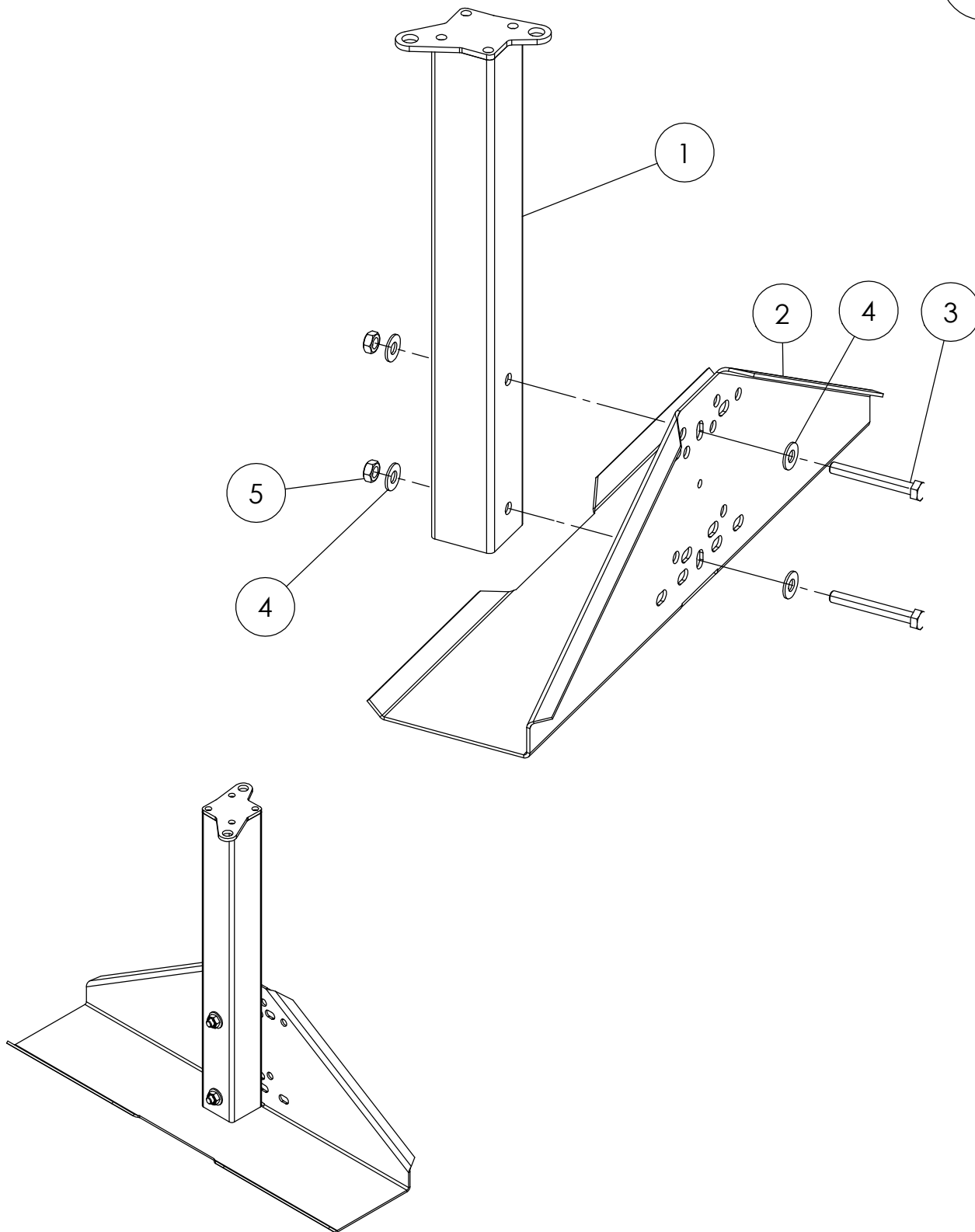
SS



ToB

2017-05-22

0

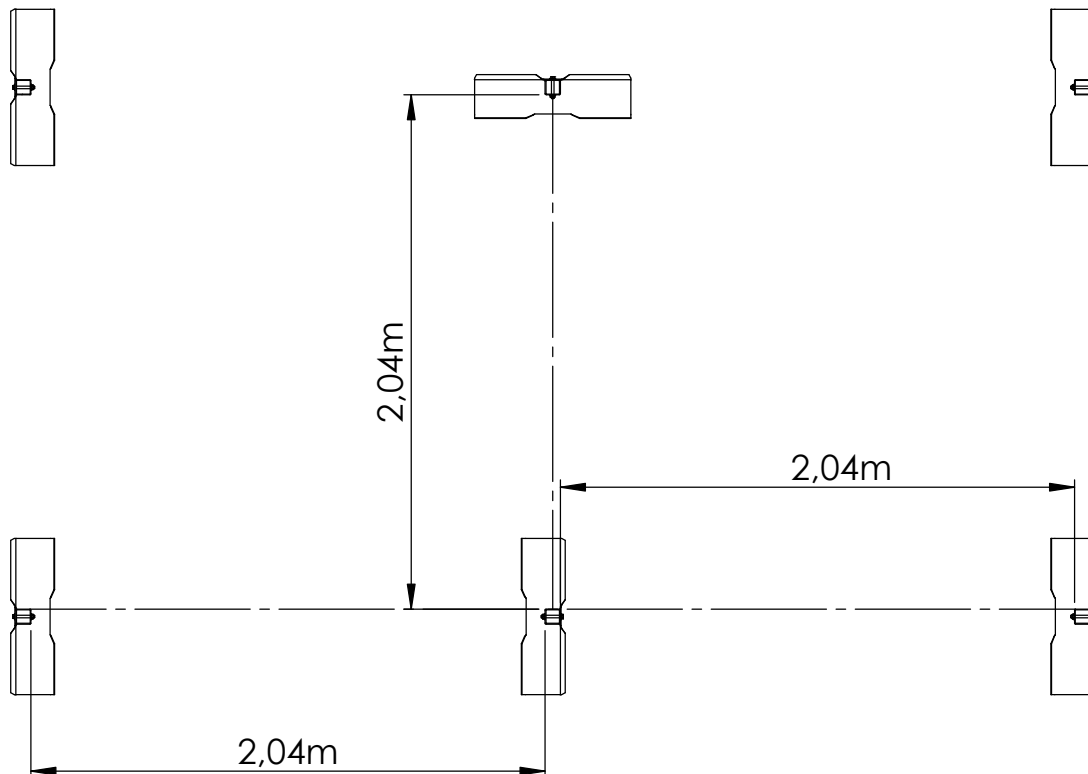
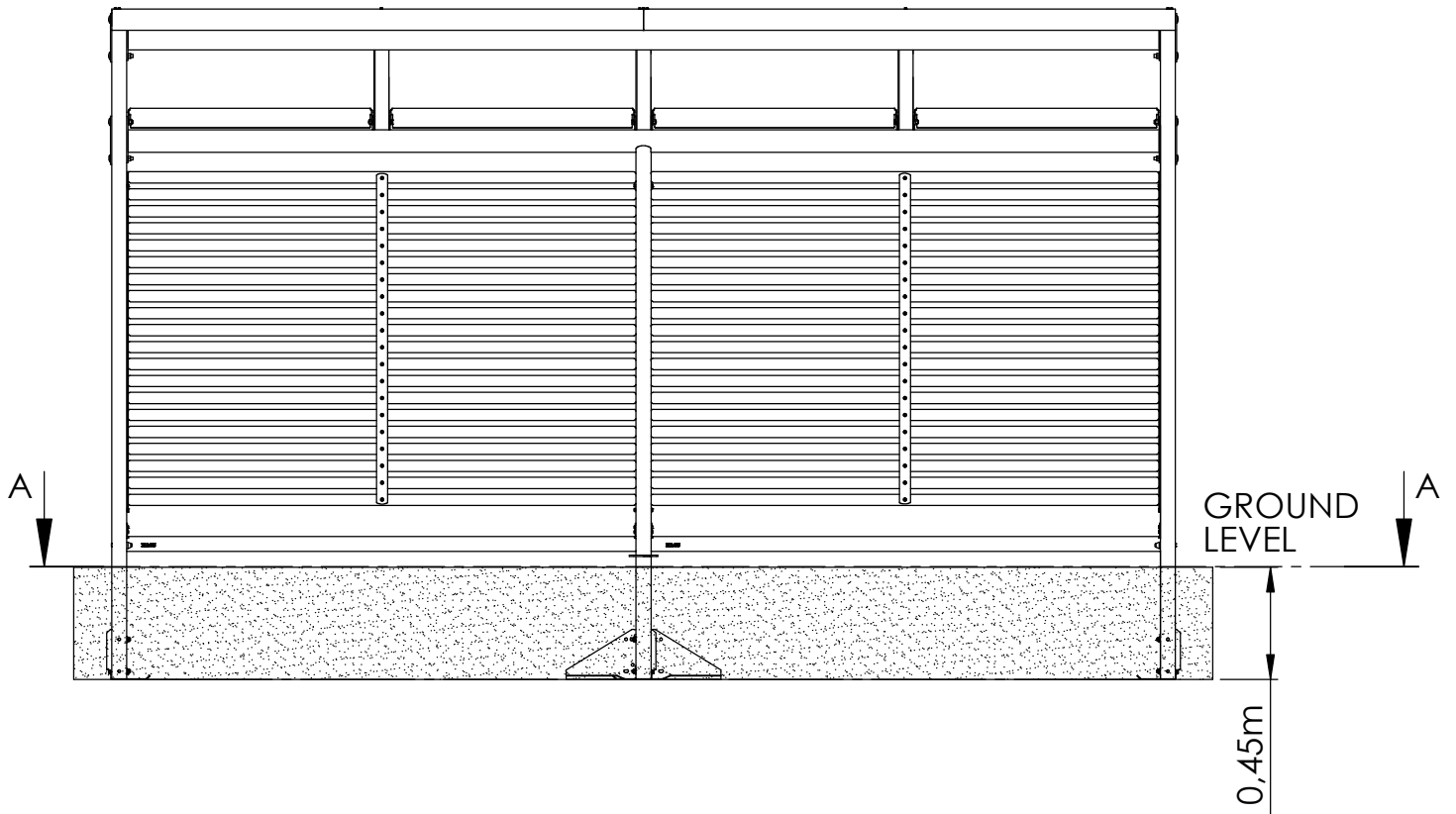


NR.	Description MA	Item Number	Qty
1	Pole for guiding of gates, S.	8059961	1
2	620x160x200 mm	8001374	1
3	M6S 8.8 M10x80	8008388	2
4	Ø11x24x2 mm	8008850 (326018)	4
5	M6M-8 FZB M10	8042810	2

HAGS ANEBY, SWEDEN
+46(0)380-47300
www.hags.com

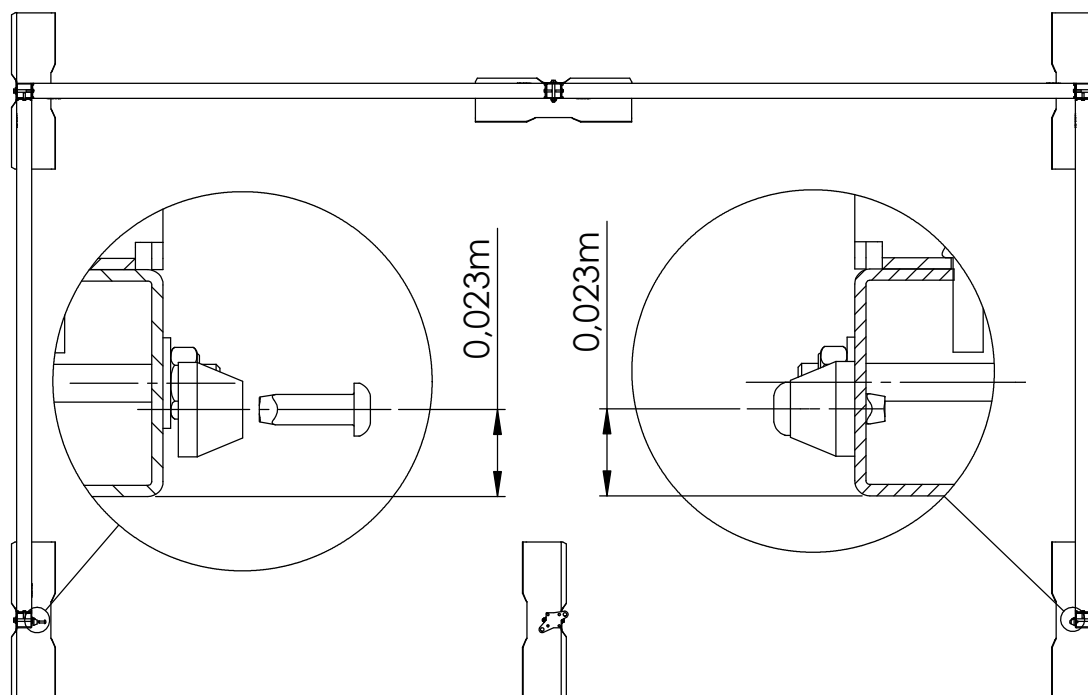
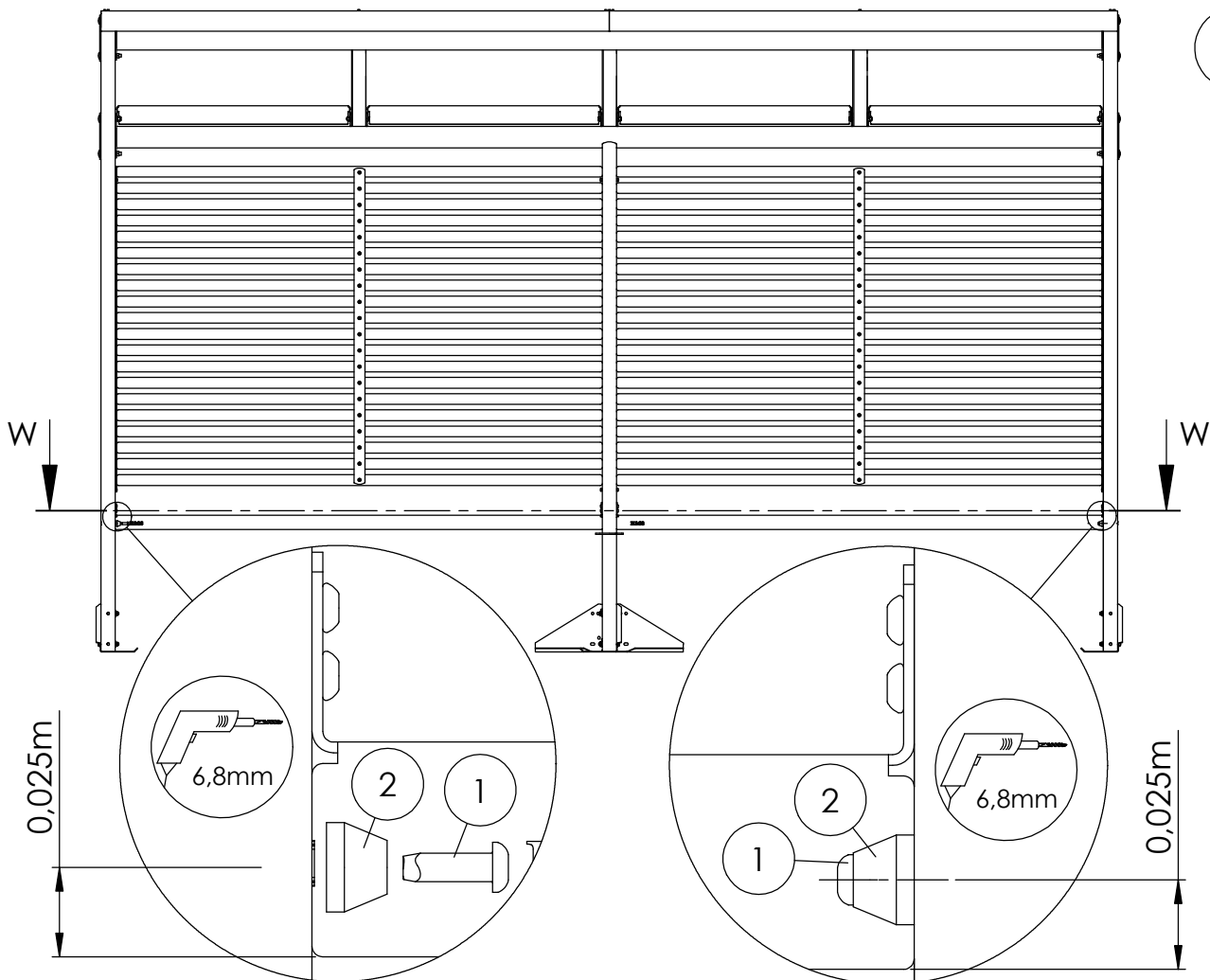
Gates, bicycle garage (S)
MASW55658
2 (12)

SS ToB 2017-05-22 0



SECTION A-A

HAGS		ANEBY, SWEDEN +46(0)380- 47300 www.hags.com	
Gates, bicycle garage (S)			
MASW55658			
3 (12)			
	SS		ToB
2017-05-22		0	



SECTION W-W

HAGS ANEBY, SWEDEN
 +46(0)380-47300
 www.hags.com

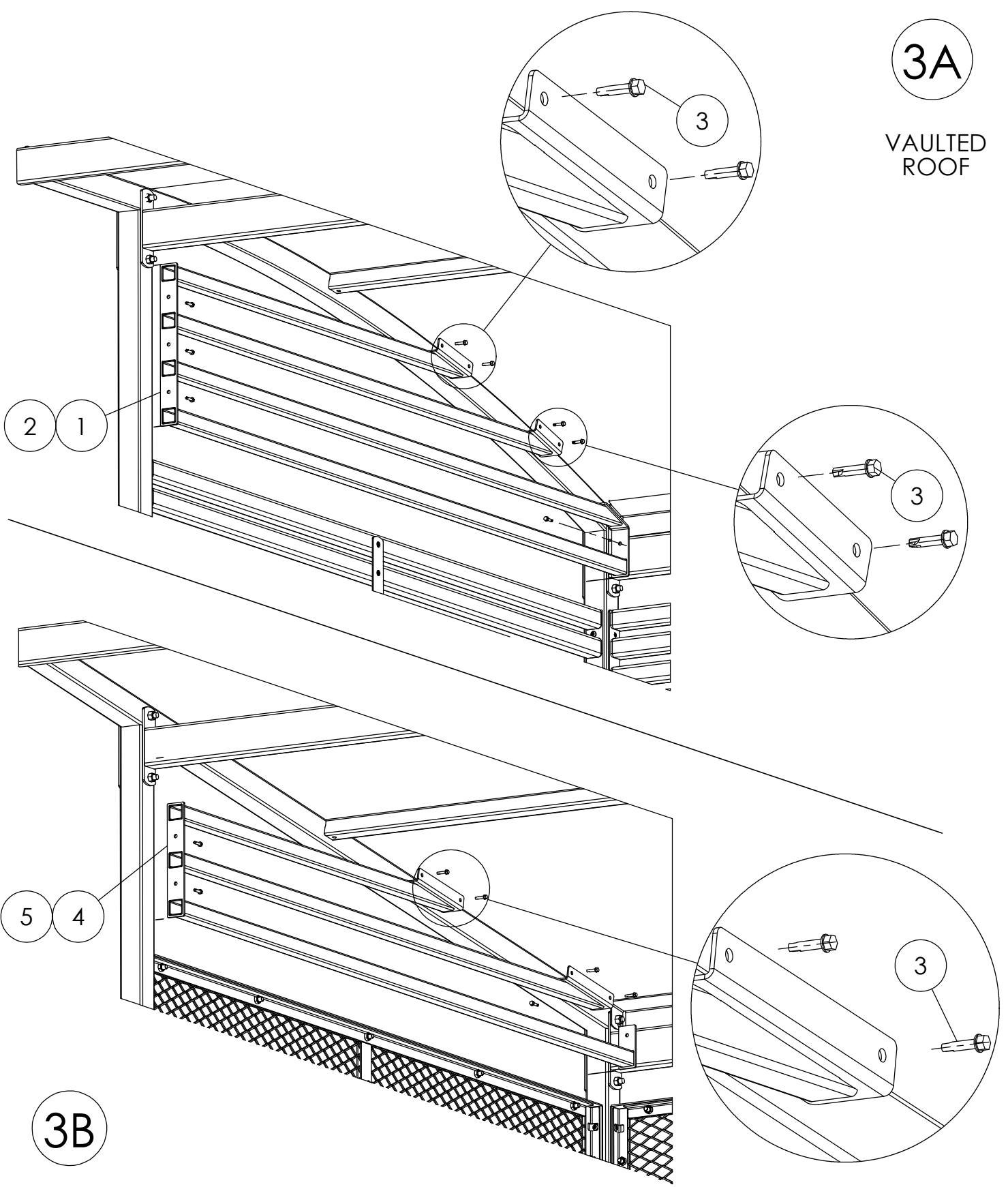
Gates, bicycle garage (S)
MASW55658
4 (12)

SS ToB 2017-05-22 0

NR.	Description MA	Item Number	Qty
1	Screw KTS-GF M8x25	8008506	2
2	Guide pin	8059718	2

3A

VAULTED
ROOF



3B

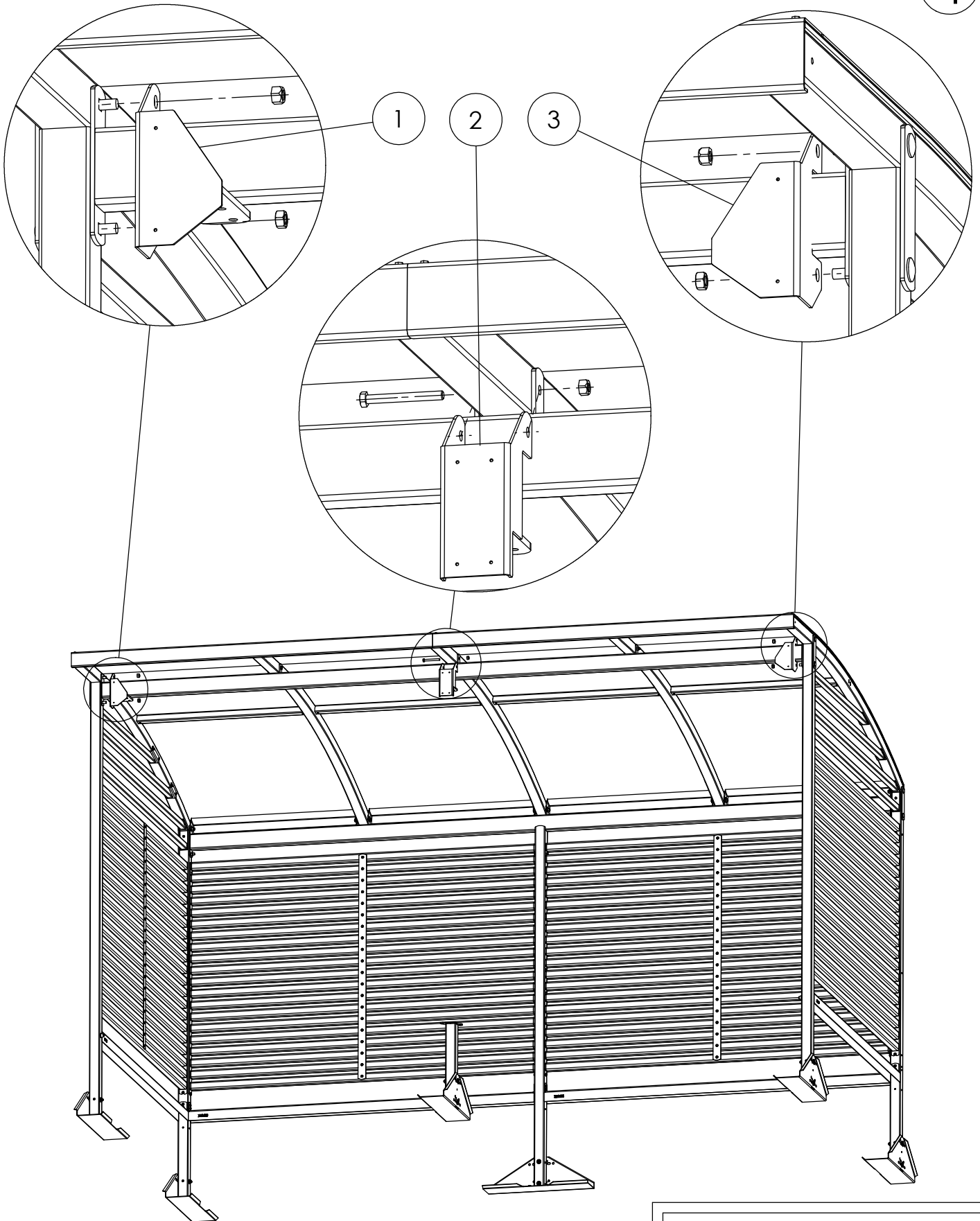
ANGLED
ROOF

NR.	Description MA	Item Number	Qty
1	Gable pipe to vaulted roof, left side.	8060024	1
2	Gable pipe to vaulted roof, right side.	8060018	1
3	Screw R6B 5,5x26	8043615	16
4	Gable pipe to angled roof, left side.	8060026	1
5	Gable pipe to angled roof, right side.	8060025	1

HAGS ANEBY, SWEDEN
+46(0)380-47300
www.hags.com

Gates, bicycle garage (S)
MASW55658
5 (12)

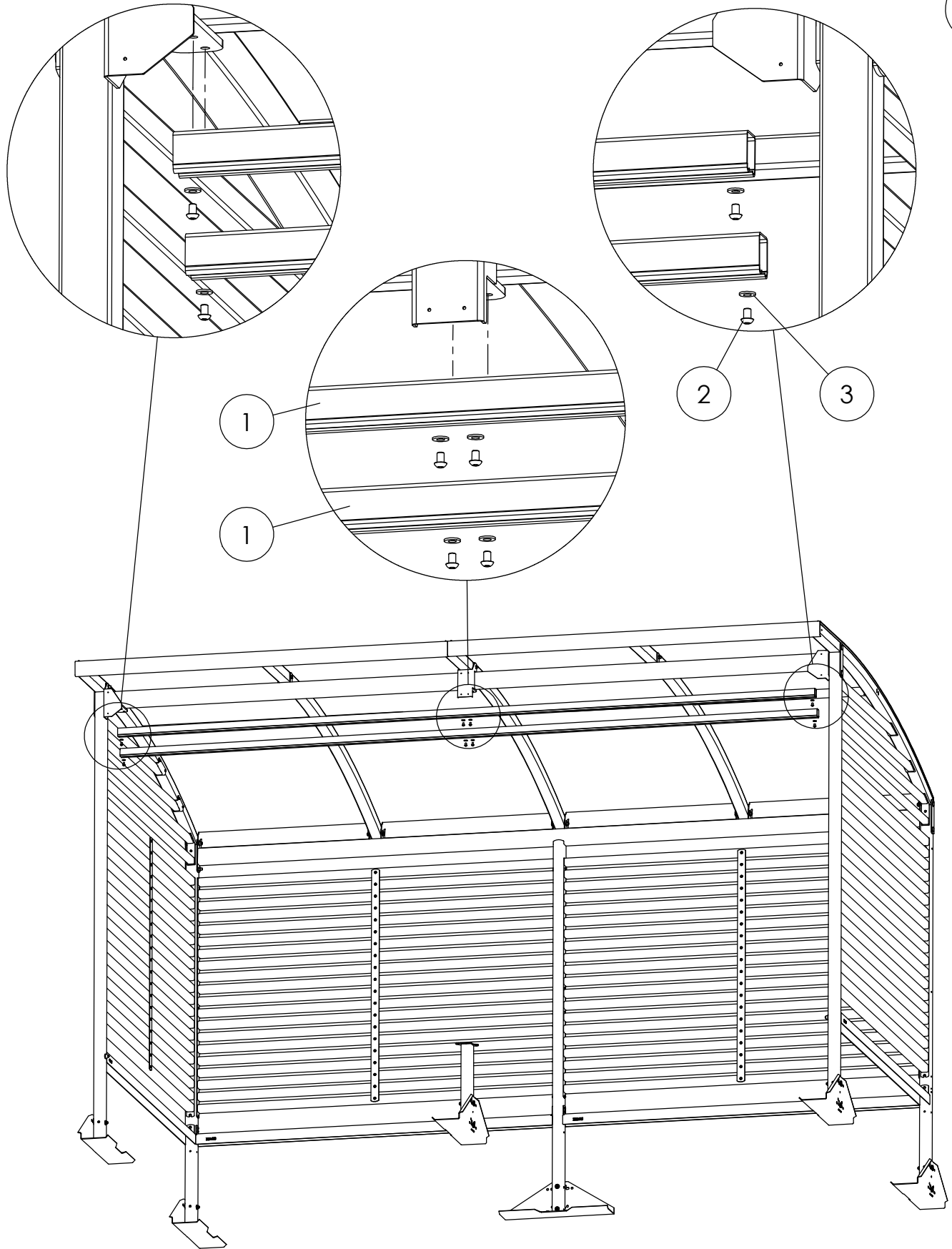
SS ToB 2017-05-22 0



NR.	Description MA	Item Number	Qty
1	Bracket, left	8060106	1
2	Bracket, middle	8060114	1
3	Bracket, right	8060098	1

HAGS ANEBY, SWEDEN
+46(0)380-
47300
www.hags.com

Gates, bicycle garage (S)
MASW55658
6 (12)

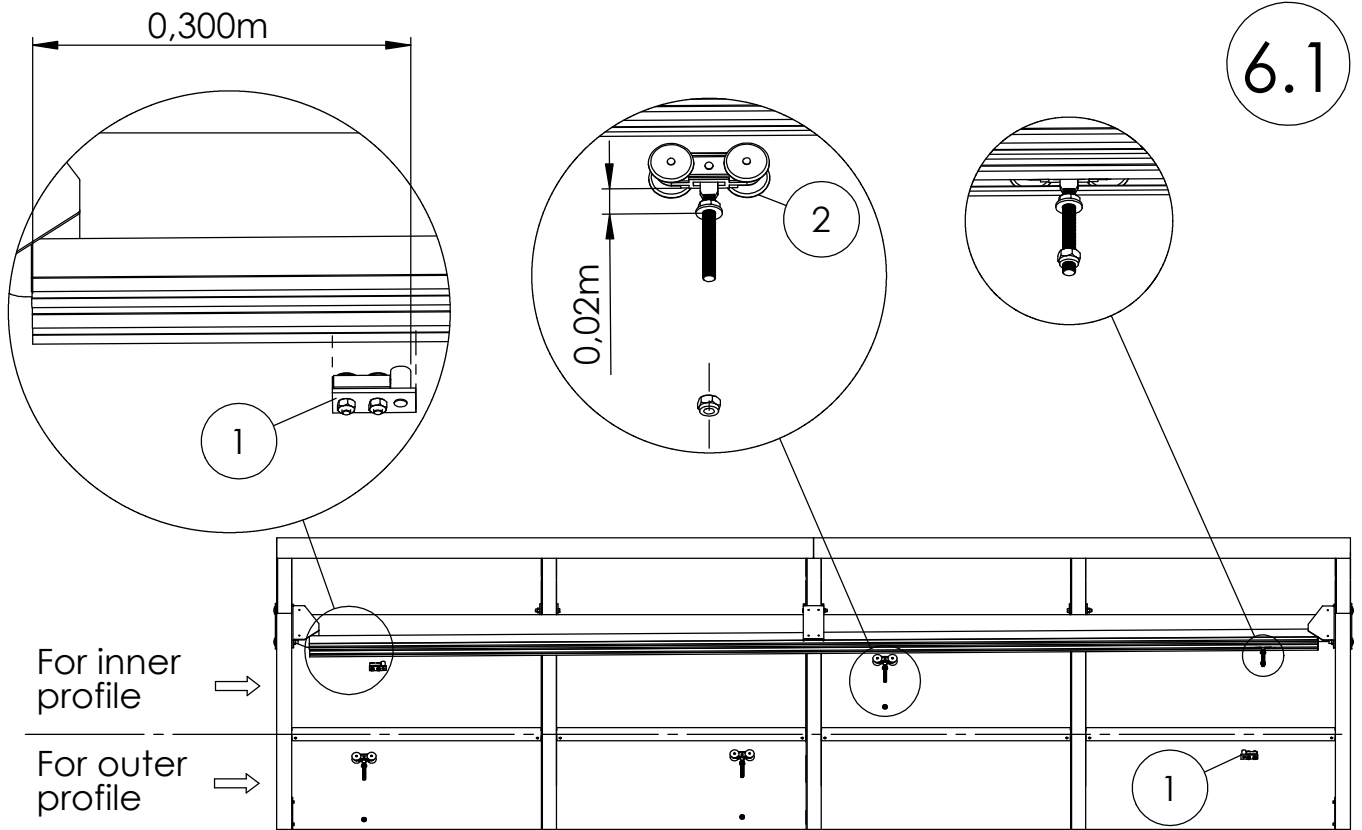


NR.	Description MA	Item Number	Qty
1	Profile 4m	8060087	2
2	Screw MK6S M8x12	8008447	8
3	Washer 9x18x2	8008849	8

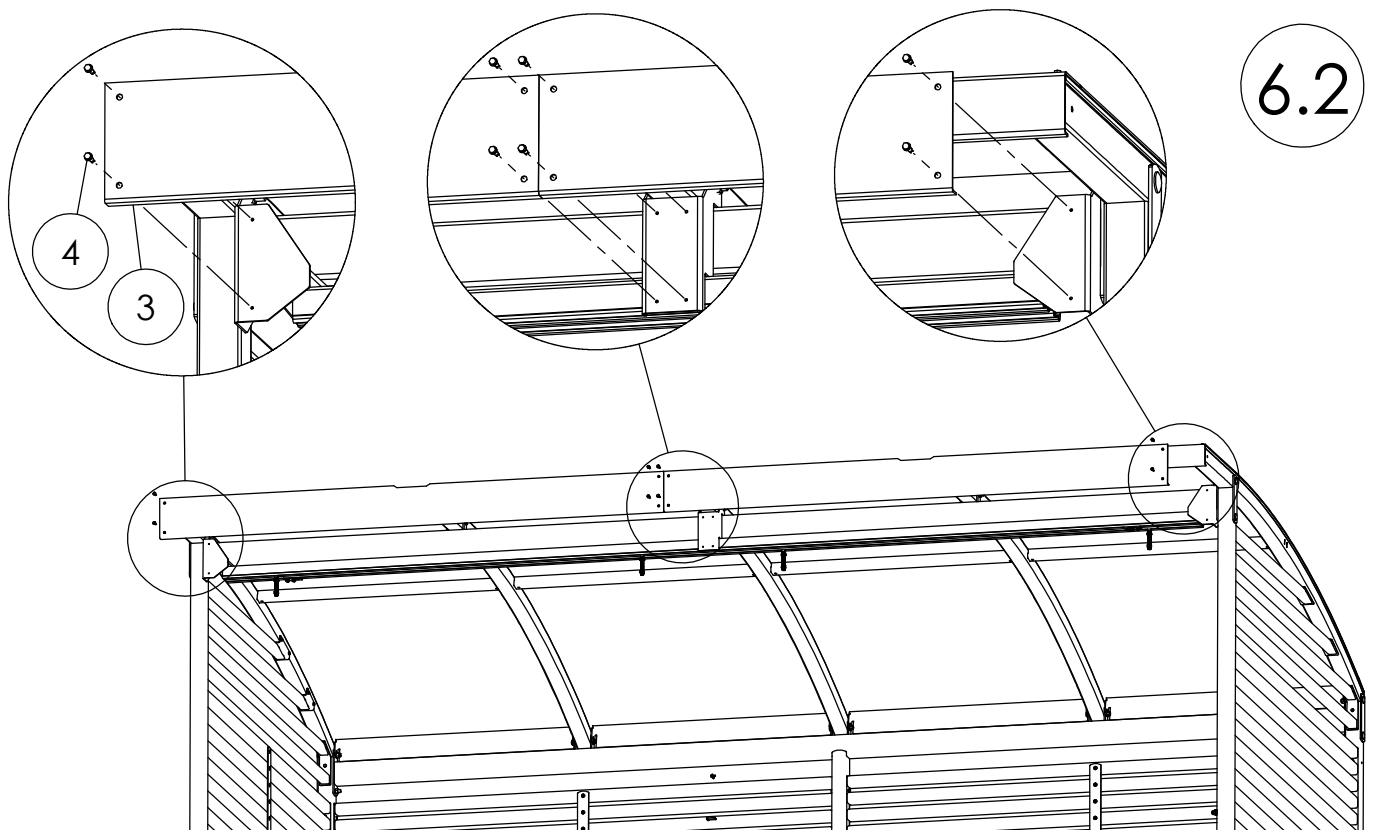
HAGS ANEBY, SWEDEN
 +46(0)380-47300
 www.hags.com

Gates, bicycle garage (S)
MASW55658
7 (12)

🏠 SS 🔍 ToB 2017-05-22 0



6.1



6.2

NR.	Description MA	Item Number	Qty
1	Gate stop	8061836	2
2	Hang reel	8061835	4
3	Cover	8060027	2
4	Screw R6B 5,5x26	8043615	8

HAGS

ANEBY, SWEDEN
+46(0)380-47300
www.hags.com

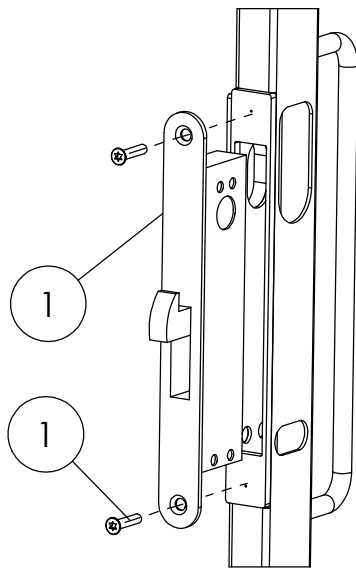
Gates, bicycle garage (S)

MASW55658

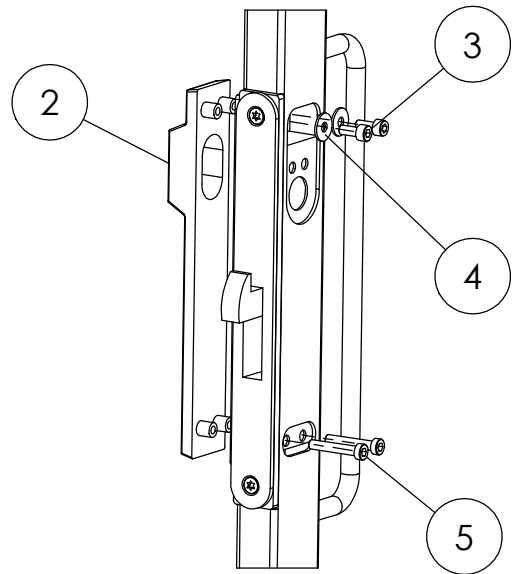
8 (12)

SS ToB 2017-05-22 0

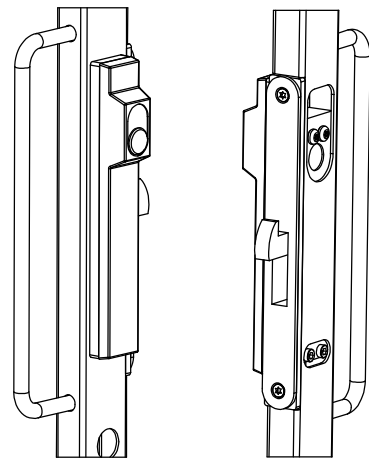
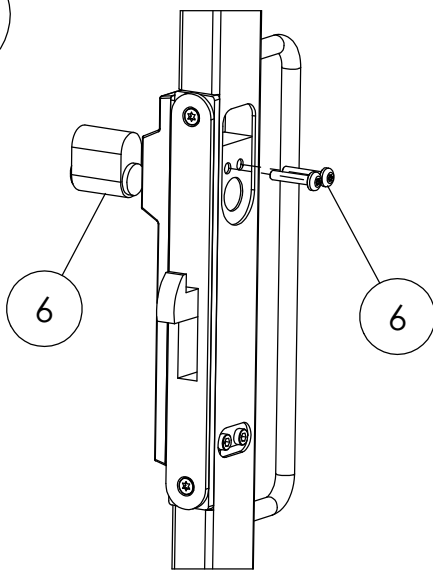
7.1



7.2



7.3



NOT SUPPLIED BY HAGS

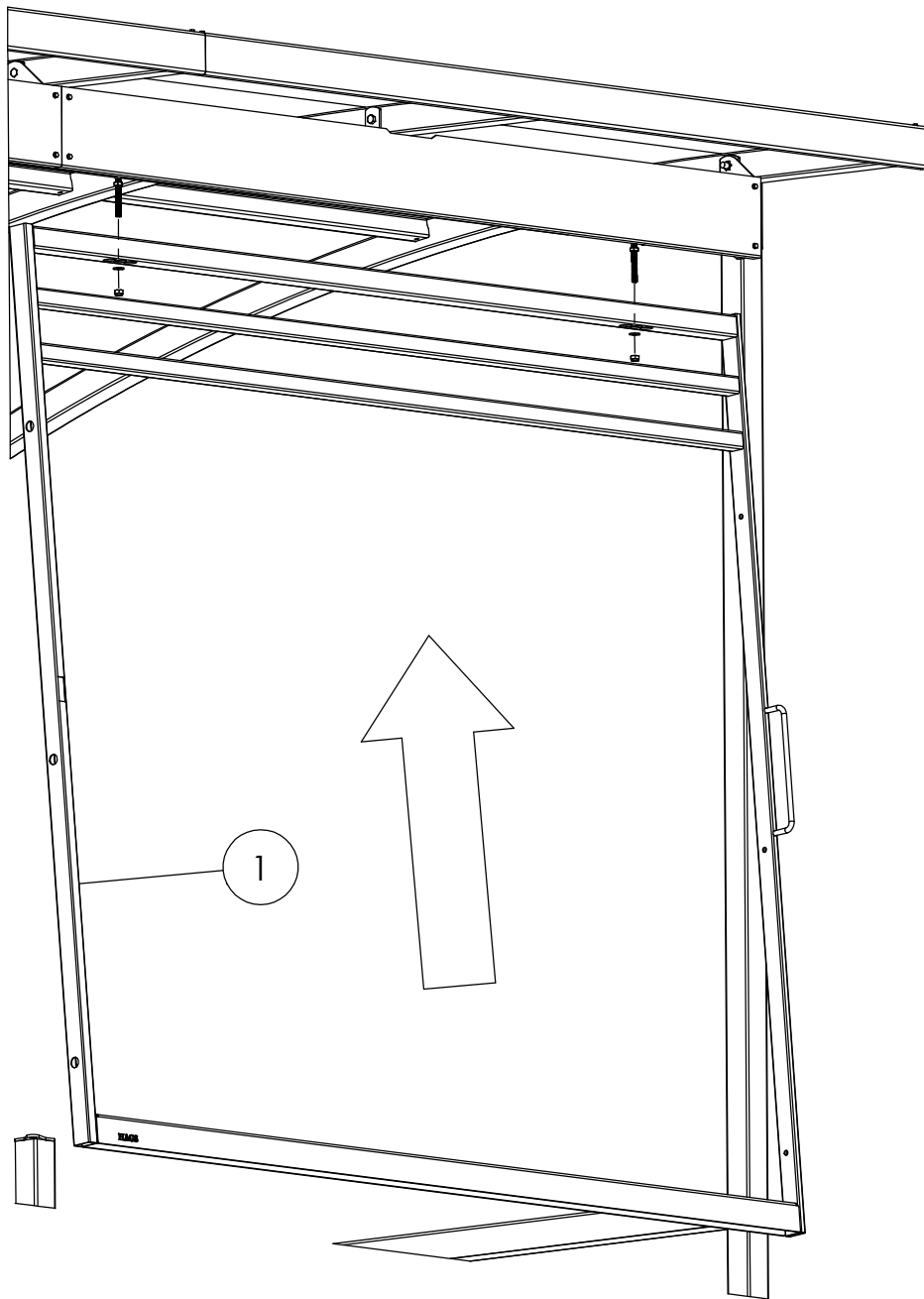
NR.	Description MA	Item Number	Qty
1	Lock house	8062520	1
2	Cylinder sign	8062524	1
3	Screw MC6S M5x12	8008689	2
4	Washer 5.3x15x1	8008843	2
5	Screw DIN7984 M5x30	8064227	2
6	Lock cylinder (NOT SUPPLIED)	-	-

HAGS ANEBY, SWEDEN
+46(0)380-47300
www.hags.com

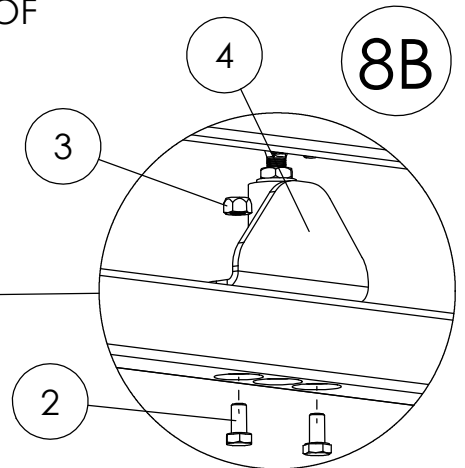
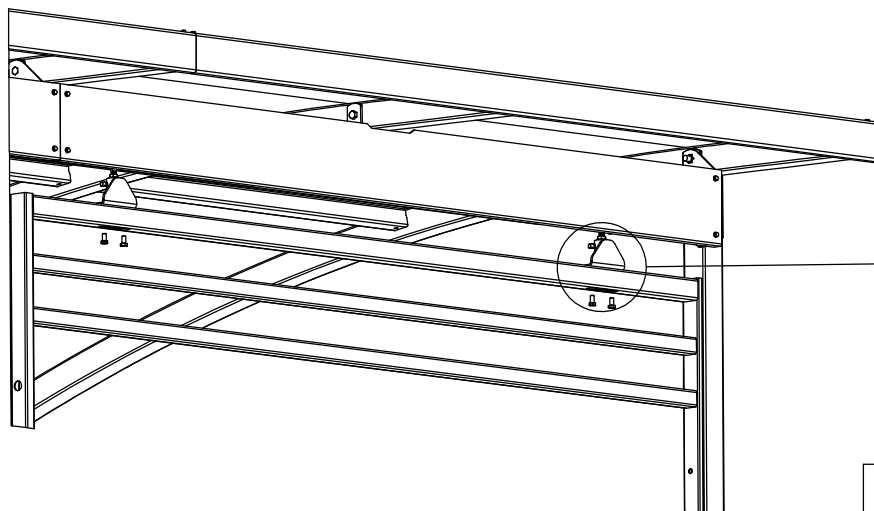
Gates, bicycle garage (S)
MASW55658
9 (12)

SS ToB 2017-05-22 0

8A



NR 2 AND 3 ARE ONLY TO BE USED WITH VAULTED ROOF

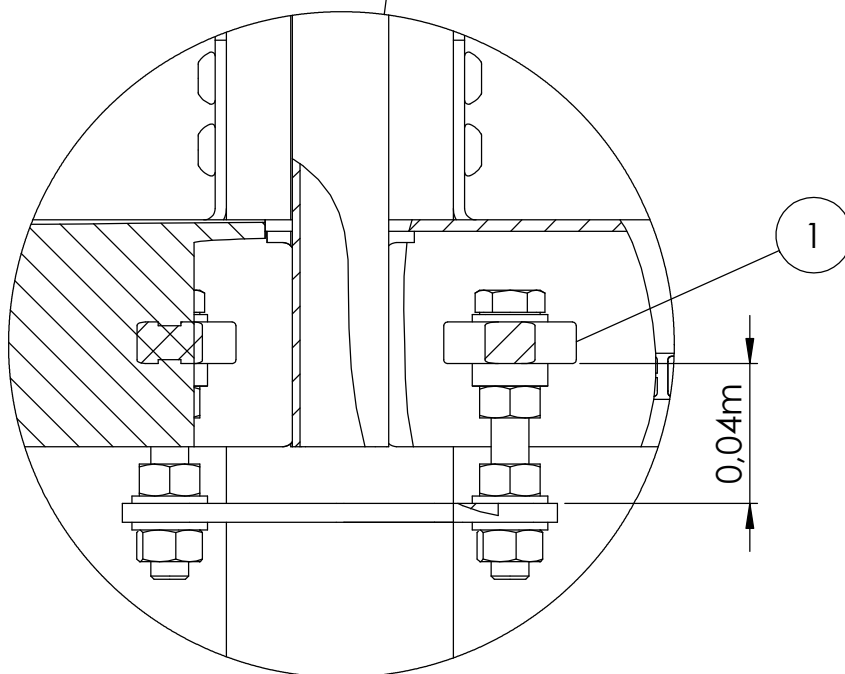
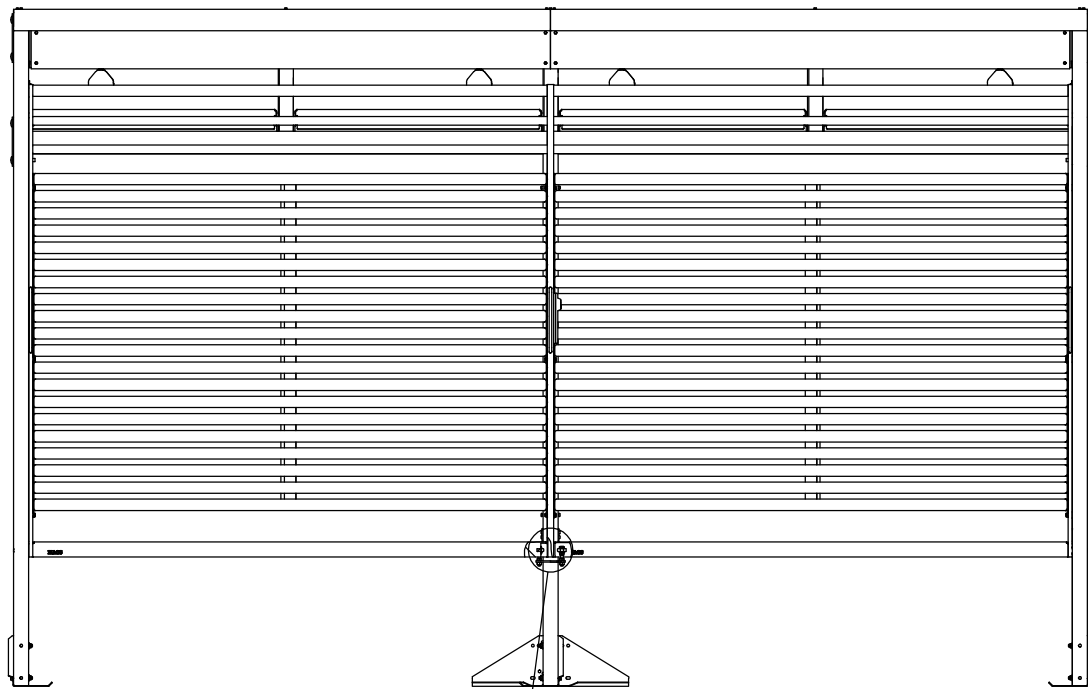


8B

NR.	Description MA	Item Number	Qty
1	Gate frame inner	8060014	1
2	Screw M6S M8x16	8008340	8
3	Nut M6M M8	8042809	8
4	Gate suspension	8059969	4

HAGS ANEBY, SWEDEN
+46(0)380-47300
www.hags.com

Gates, bicycle garage (S)
MASW55658
10 (12)



HAGS

ANEBY, SWEDEN
+46(0)380-47300
www.hags.com

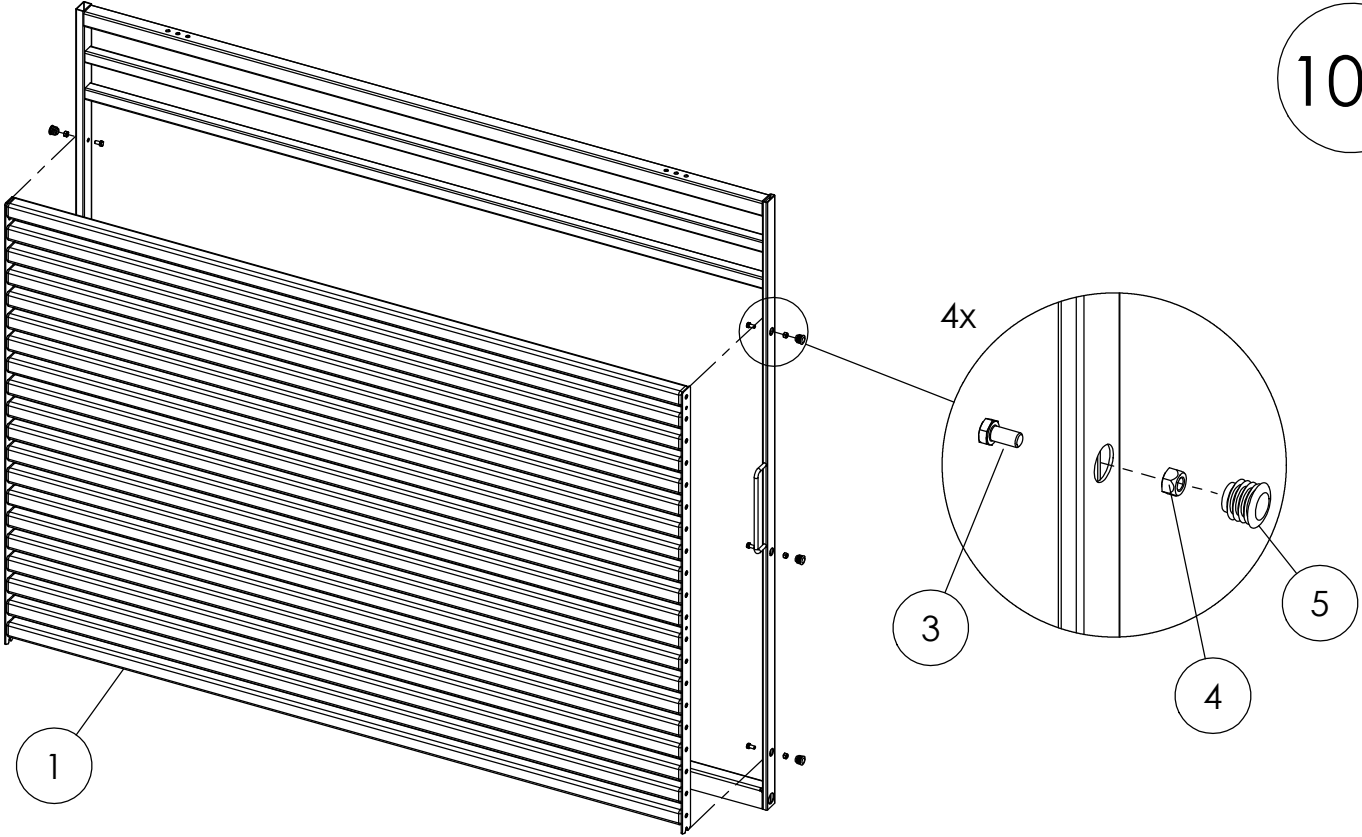
Gates, bicycle garage (S)

MASW55658

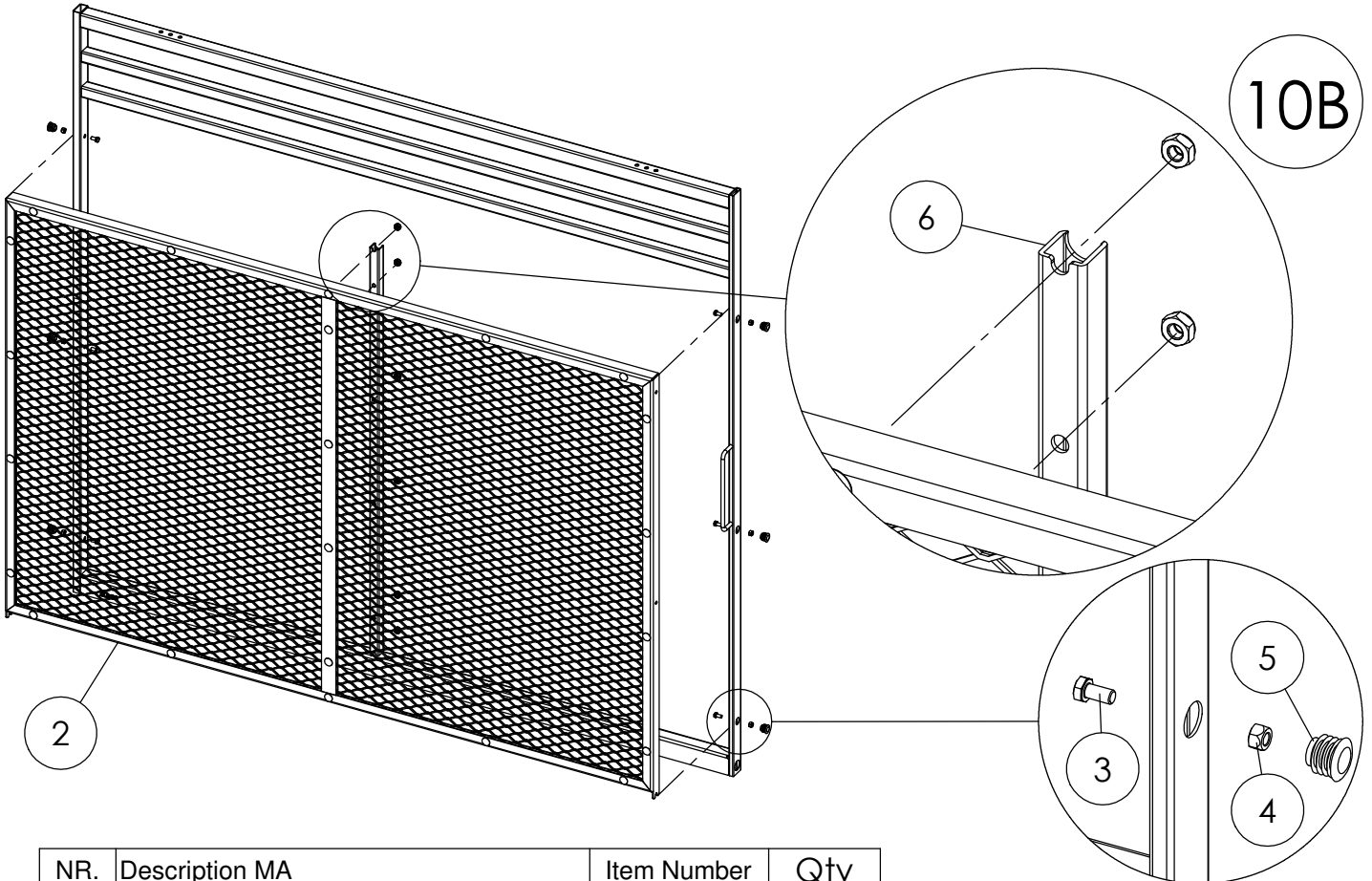
11 (12)

NR.	Description MA	Item Number	Qty
1	Guide roller	8061837	2

10A



10B



NR.	Description MA	Item Number	Qty
1	Screen wood ribs	8043230	2
2	Screen expanded metal	8043269	2
3	Screw M6S M8x16	8008340	6
4	Nut M6M M8	8042809	6
5	End plug	8005540	6
6	Brace for expanded metal screen	8064084	2

HAGS ANEBY, SWEDEN
+46(0)380-47300
www.hags.com

Gates, bicycle garage (S)
MASW55658
12 (12)

SS ToB 2017-05-22 0