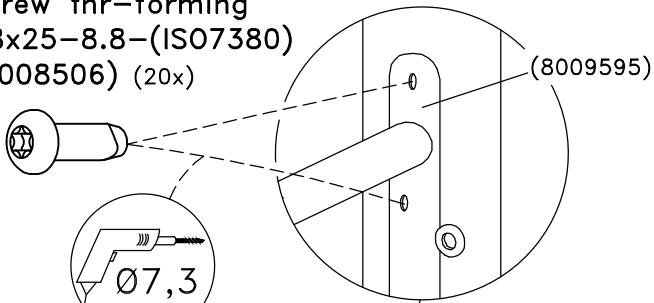
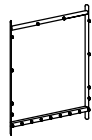
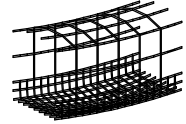
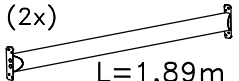
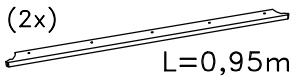
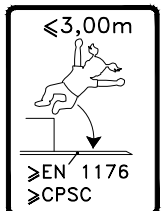
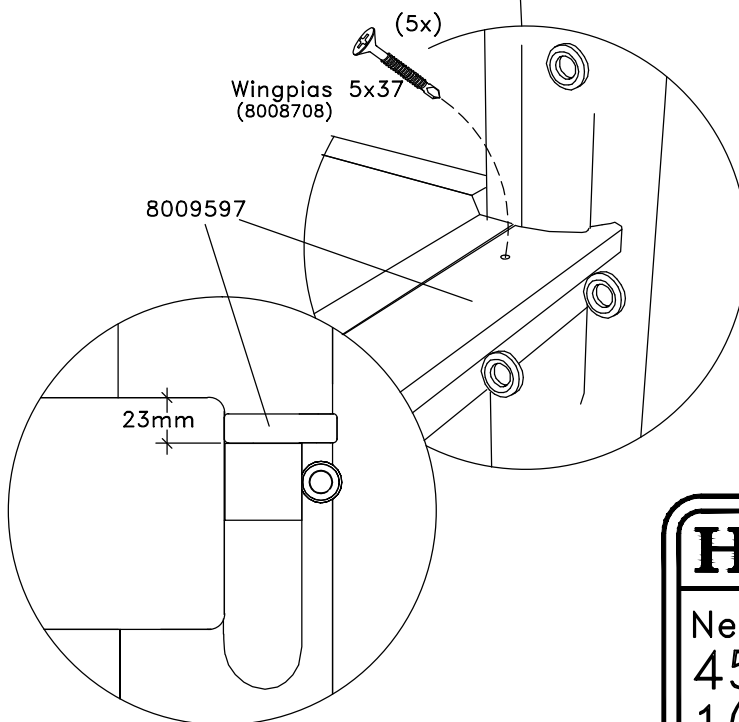
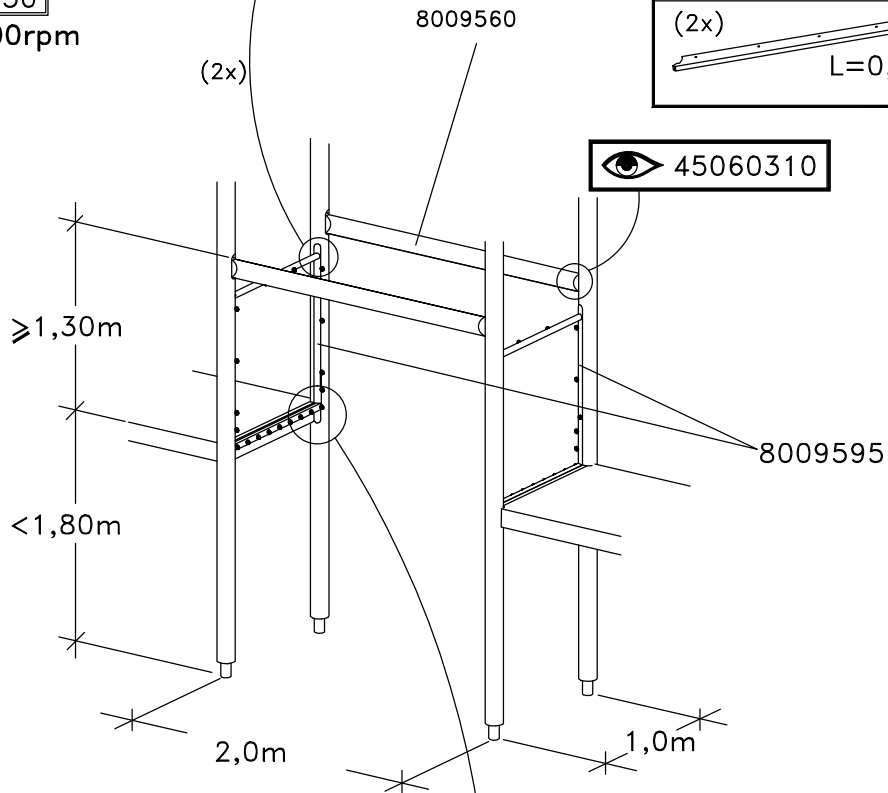


Screw thr-forming
 M8x25-8.8-(ISO7380)
 (8008506) (20x)



Ø7,3
 MAX 400rpm

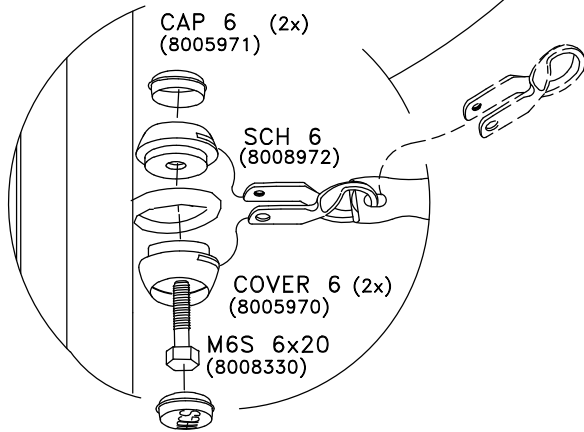
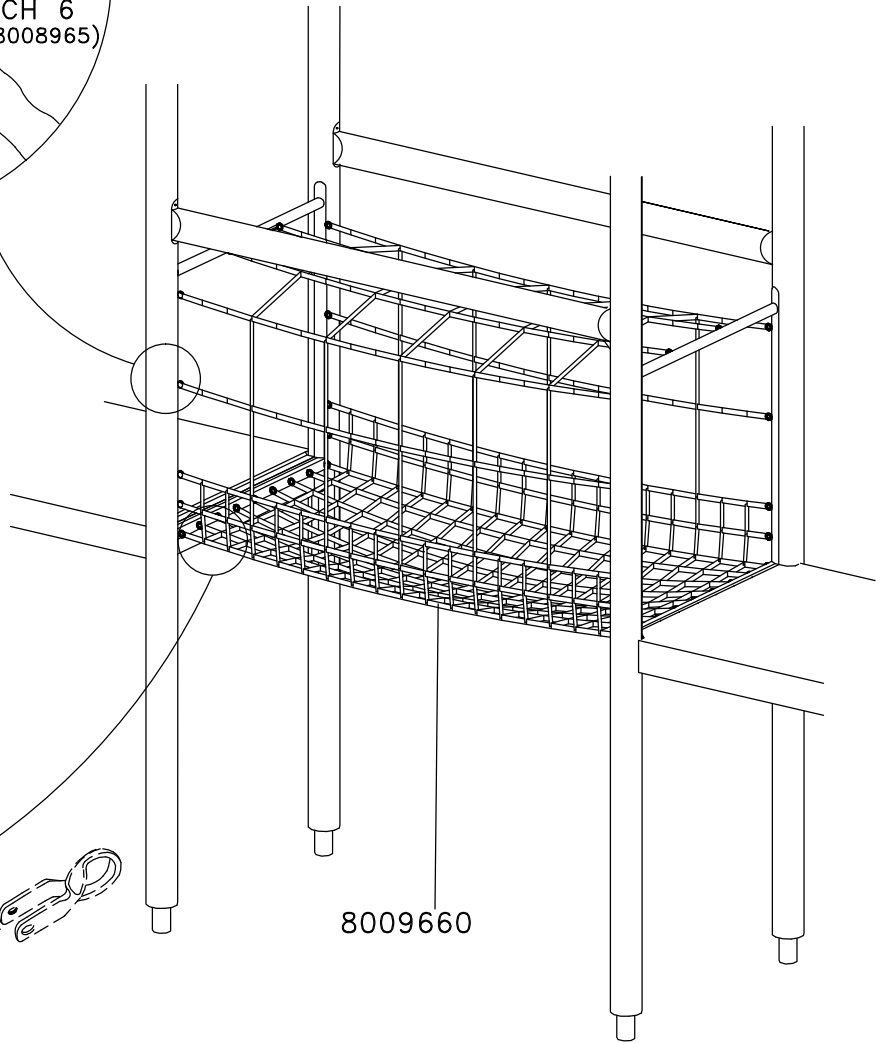
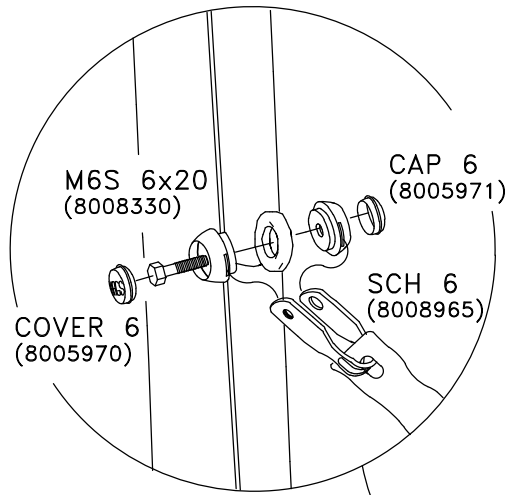
TYPE	HAGS.NO
 (2x) 0,95x1,17m	8009595
 L=1,94m	8009660
(2x)  L=1,89m	8009560
(2x)  L=0,95m	8009597



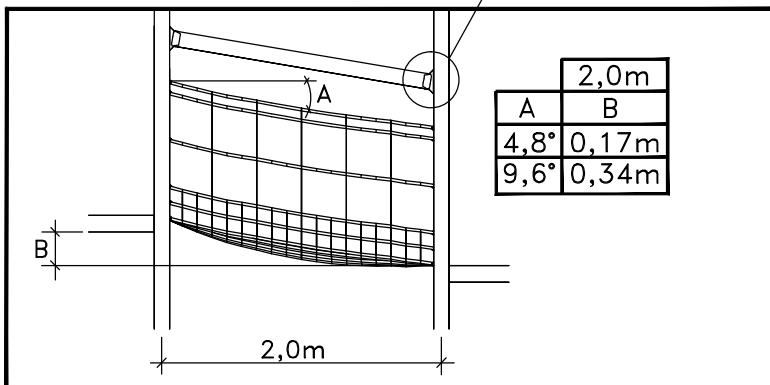
HAGS ANEBY, SWEDEN
 +46(0)380-47300
 www.hags.com

Net Tunnel Steel Post
 450 715 03
 1(2)

TJ ToB 2017-09-28 1





 MA62365



HAGS ANEBY, SWEDEN
+46(0)380-47300
www.hags.com

Net Tunnel Steel Post
450 715 03
2(2)

 TJ  ToB 2017-09-28 1