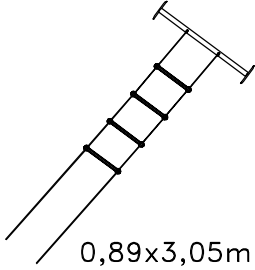





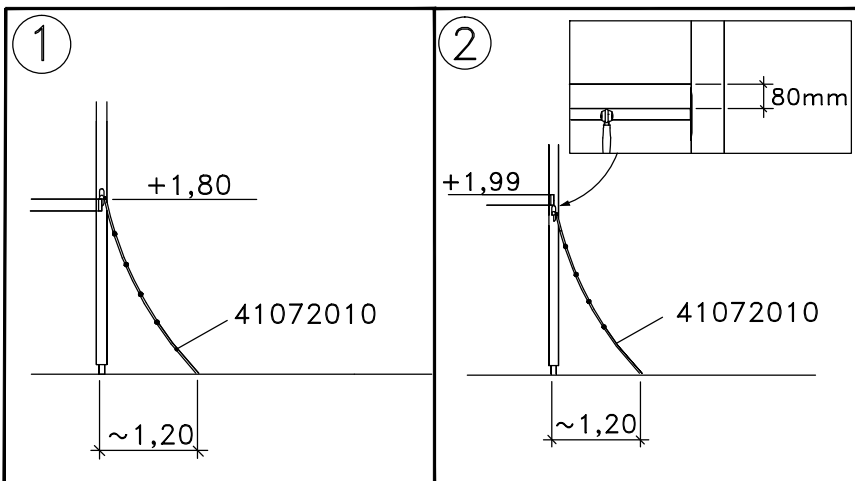
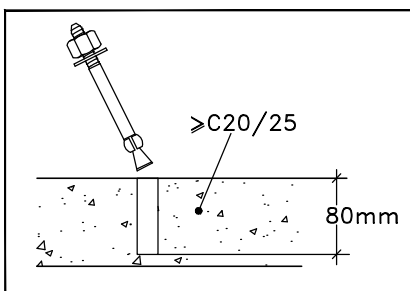
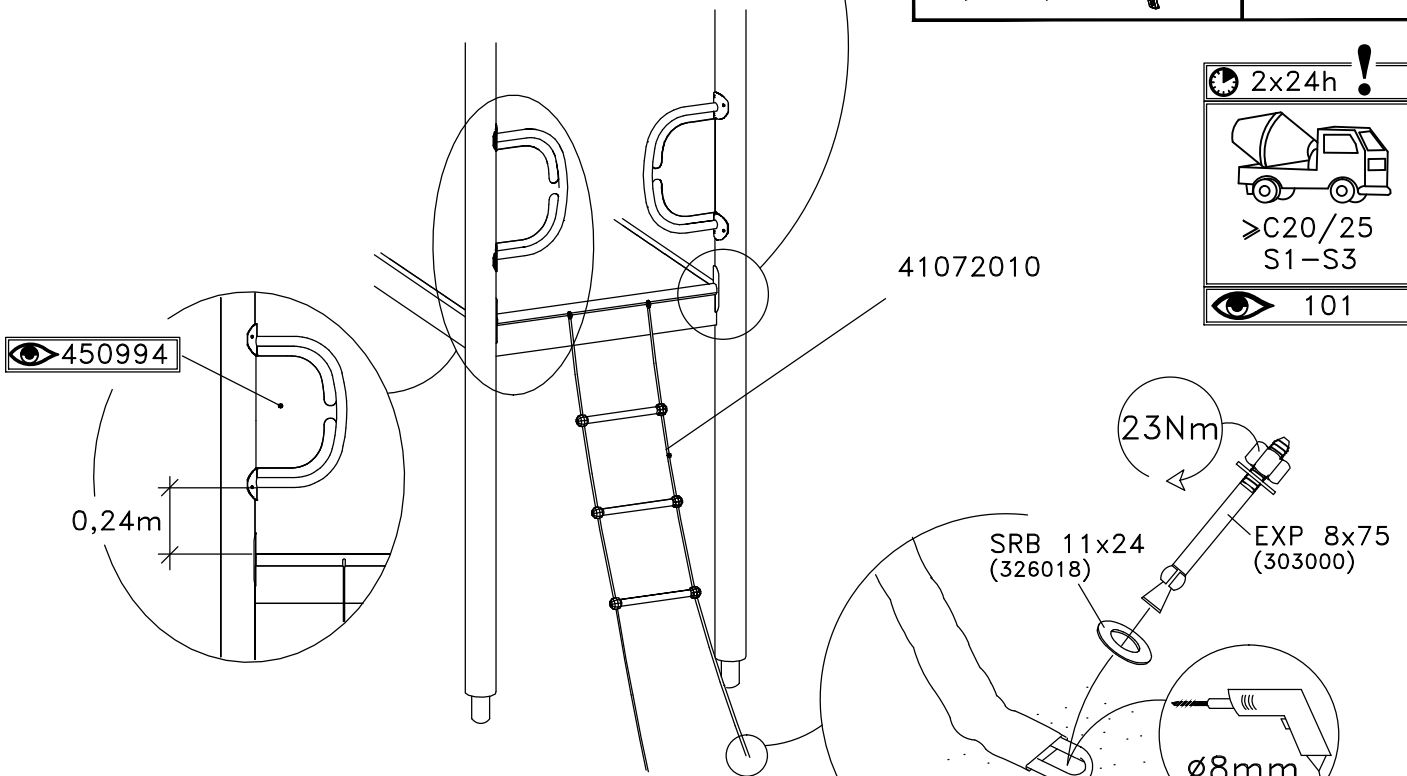
Screw thr-forming
M8x25-8.8-(ISO7380)
(8008506)

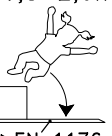


MAX 400rpm

TYPE	HAGS.NO
 0,89x3,05m	41072010
(2x)  0,53x0,24m	410994



2x24h !

>C20/25
S1-S3
 101



1,8-2,0m

≥EN 1176
≥CPSC

HAGS ANEBY, SWEDEN
+46(0)380-47300
www.hags.com

Ropeladder
452 720 10
1(1)

 TJ  ToB 2017-04-28 2