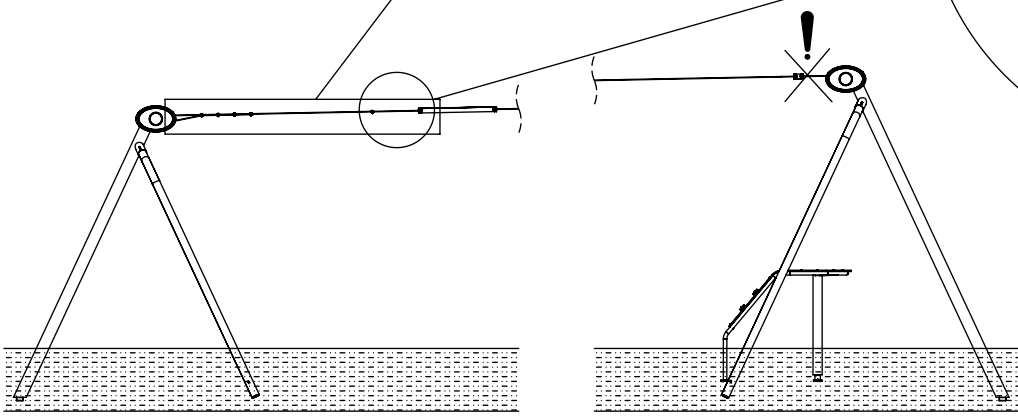
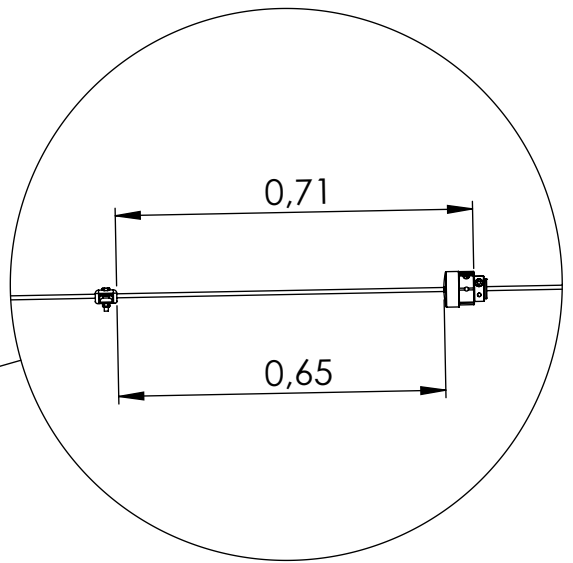
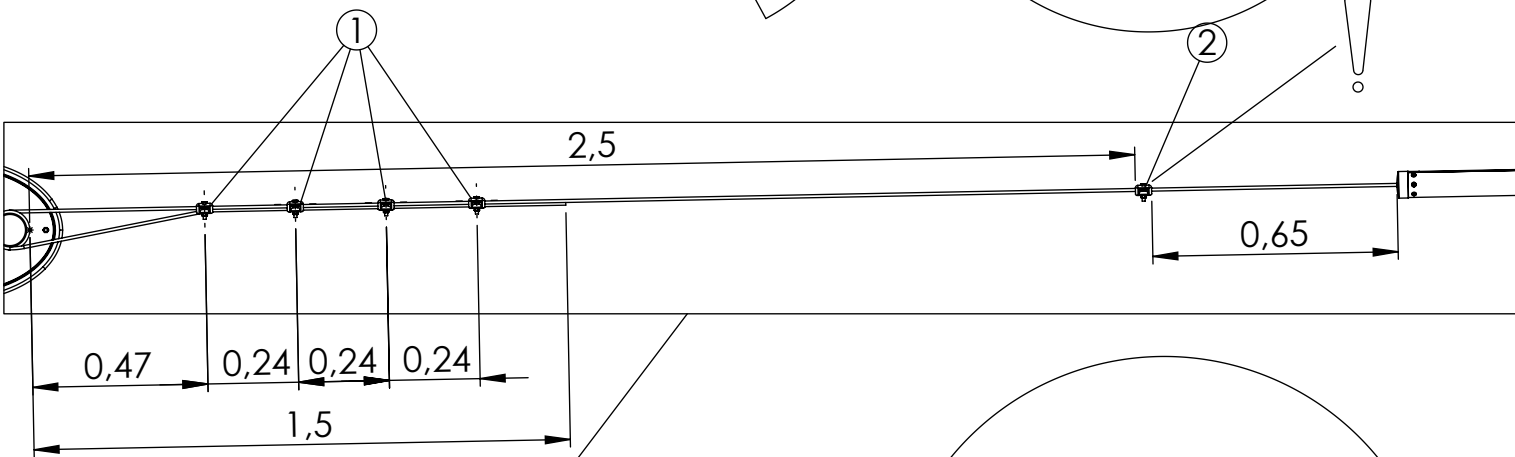
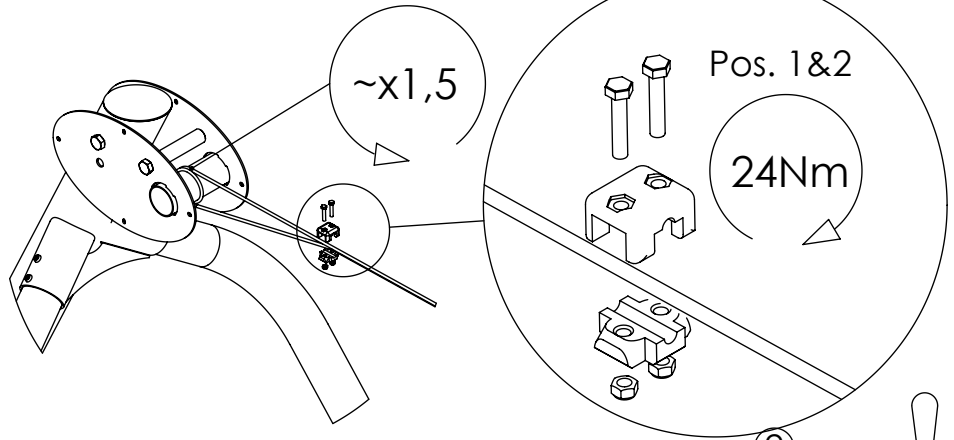


STEP 3 & STEP 4

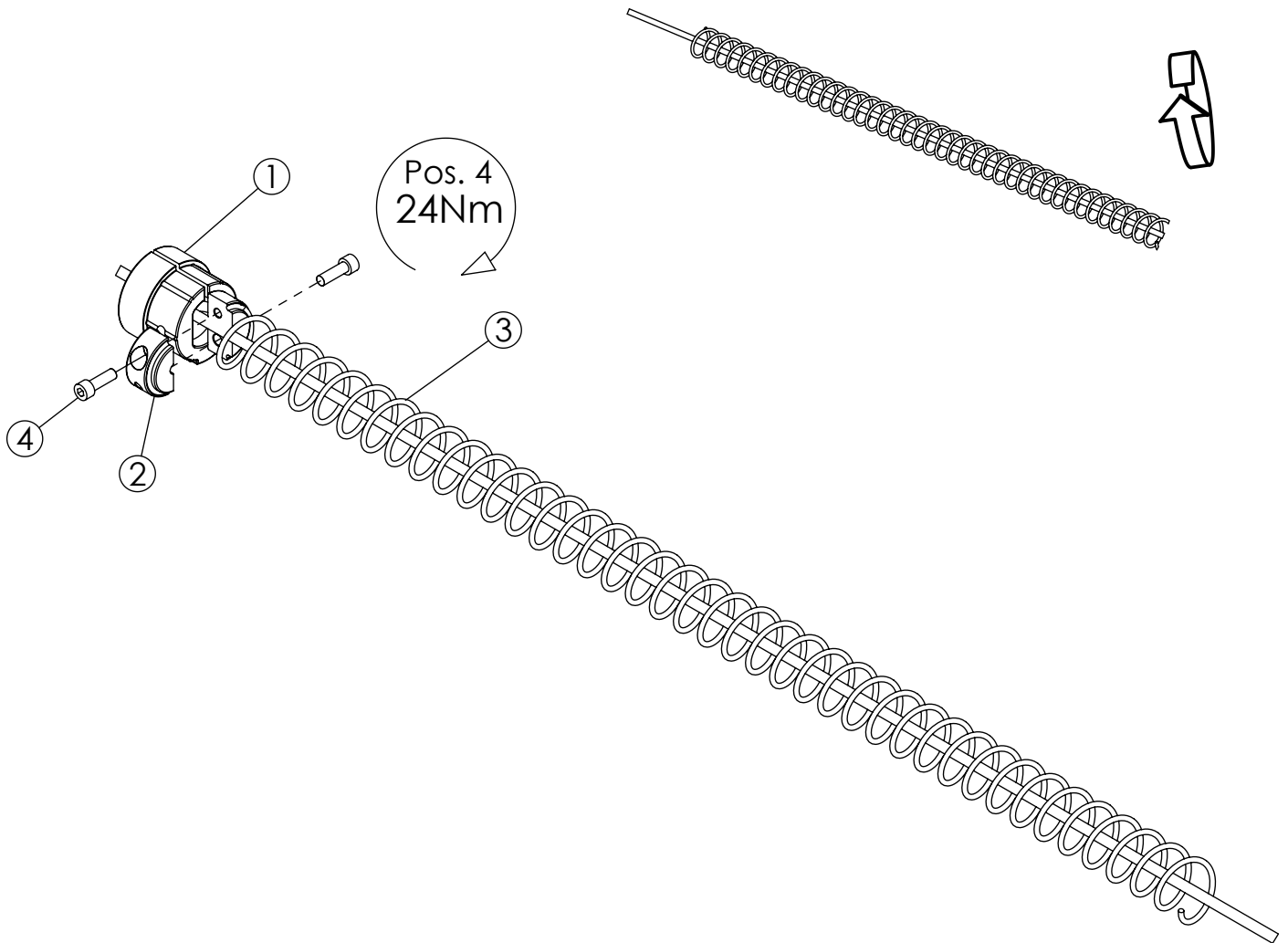


HAGS ANEBY, SWEDEN
+46(0)380-47300
www.hags.com

End Bumper
MASW26113
1 (3)

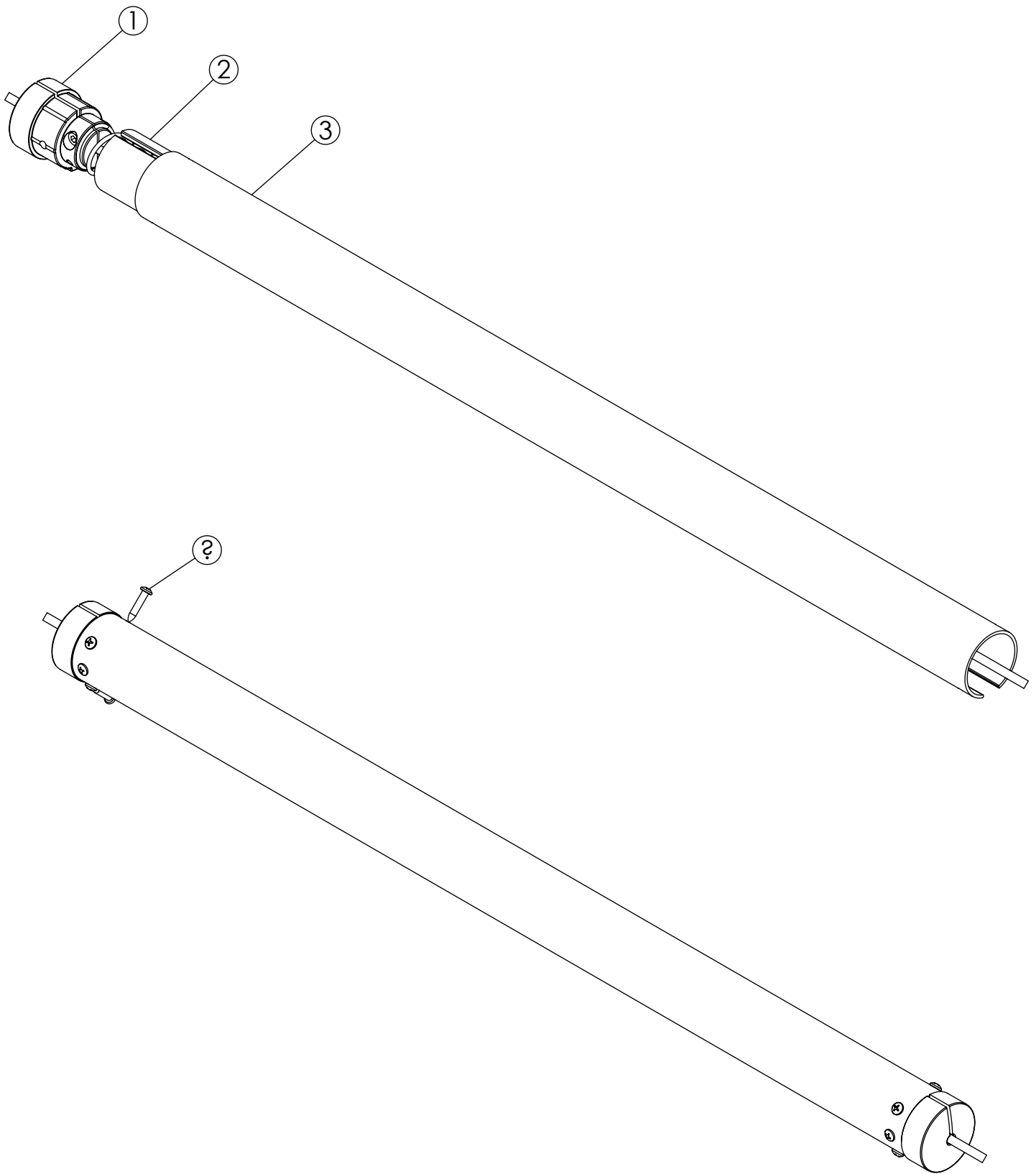
🏠 DN 👁 ToB 2016-08-19 5

NR.	Description MA	Item Number	QTY.
1	Wire lock	8008977	4
2	Wire lock (small)	8008978	1



NR.	Description MA	Item Number	Qty
1	End Plug Ø70,5	8035246	1
2	Wireclamp half Ø50	8035244	2
3	Spring		1
4	MC6S 8x25 mm	302610	2

HAGS ANEBY, SWEDEN +46(0)380-47300 www.hags.com					
End Bumper MASW26113 2 (3)					
	DN		ToB	2016-08-19	5






NR.	Description MA	Item Number	Qty
1	End Plug Ø70,5	8035246	2
2	Wear Insert	8035247	1
3	Profile End Bumper	8036487	1
4	RXS 6,3x32 mm	8049242	12

HAGS

ANEBY, SWEDEN
+46(0)380-47300
www.hags.com

End Bumper
MASW26113
3 (3)




 ToB | 2016-08-19 | 5