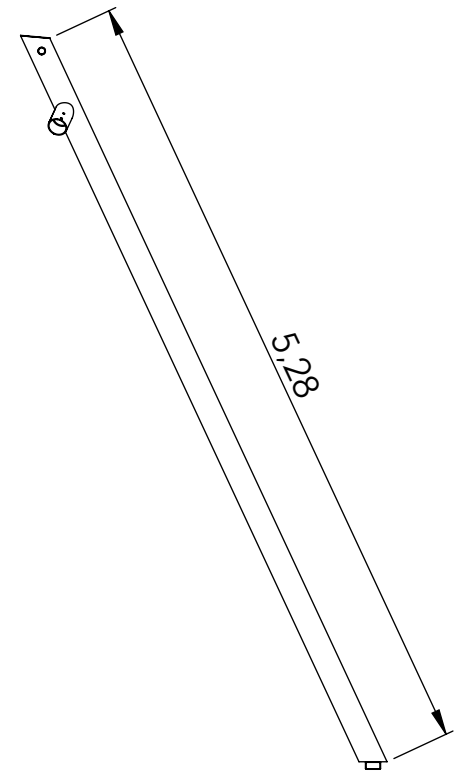
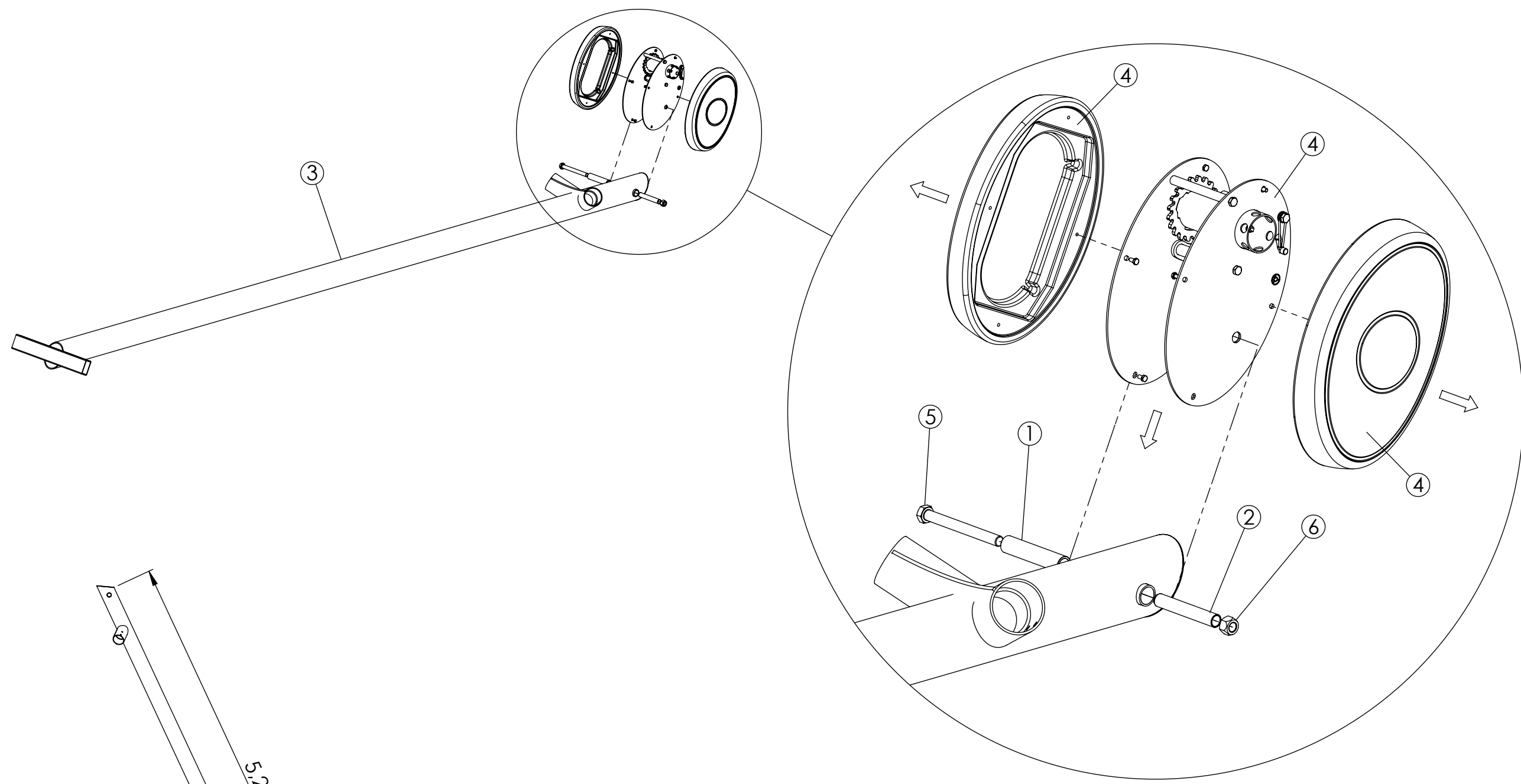
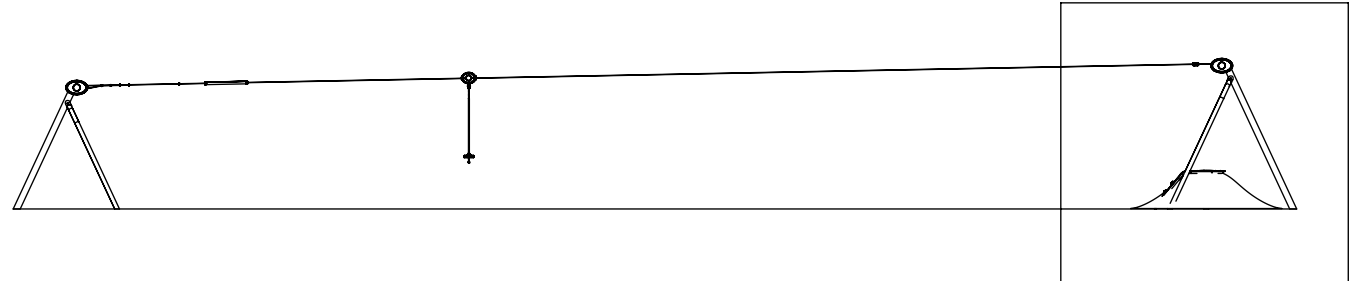


1

Step 1



NR.	Description MA	Item Number	QTY.
1	Plastic bushing Ø40	8035301	1
2	Spacer Ø20	8036066	1
3	Start main post 5,28 m	8037572	1
4	Tensionhead	8035720	1
5	M6S 8.8 M24x240	8035682	1
6	M6M M24	8035683	1

HAGS HAGS Aneby AB, Box 133, SE-578 23 Aneby, Sweden, Tel: +46 380 473 00, <http://www.hags.com>

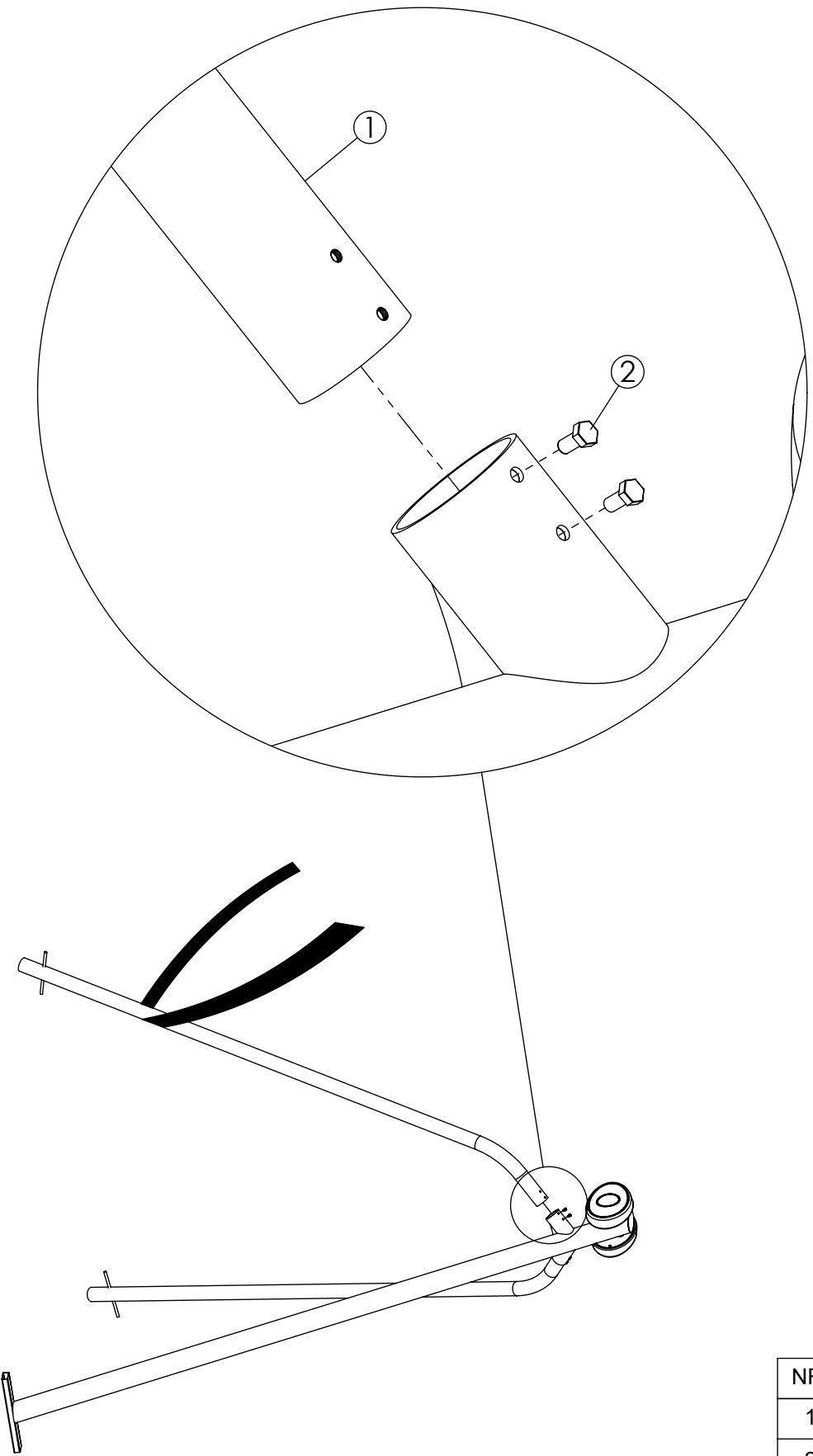
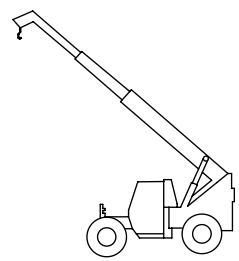
Heads & legs

MASW26162

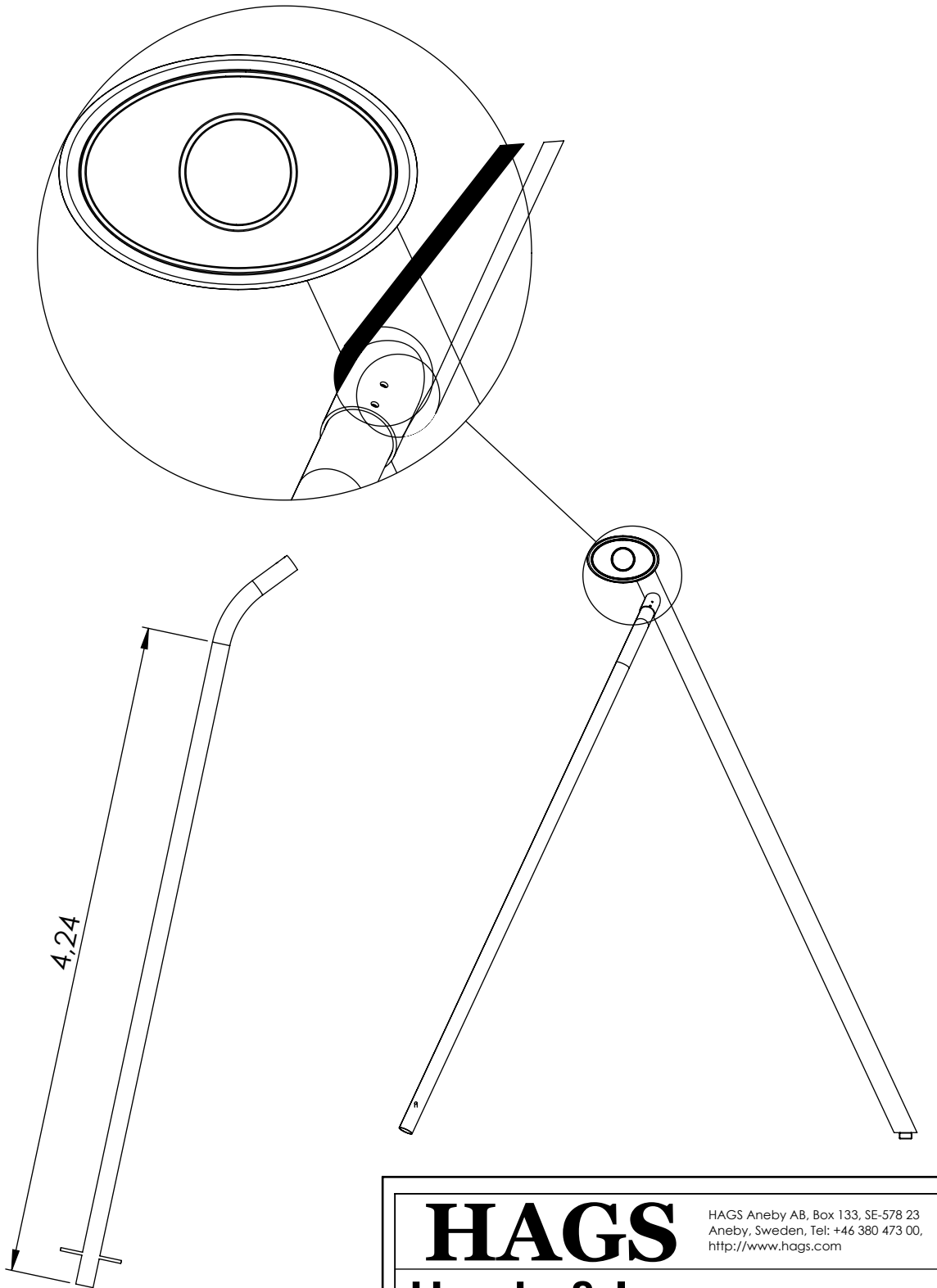
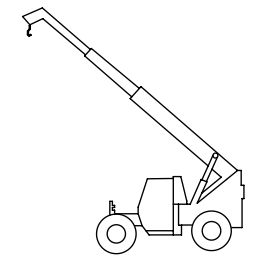
1 (11)

DN MM 2021-02-12 10

2



3



NR.	Description MA	Item Number	QTY.
1	Start bracing leg 4,24 m	8037570	2
2	M6S M12x25 mm	8008409	4
3			1

HAGS HAGS Aneby AB, Box 133, SE-578 23 Aneby, Sweden, Tel: +46 380 473 00, <http://www.hags.com>

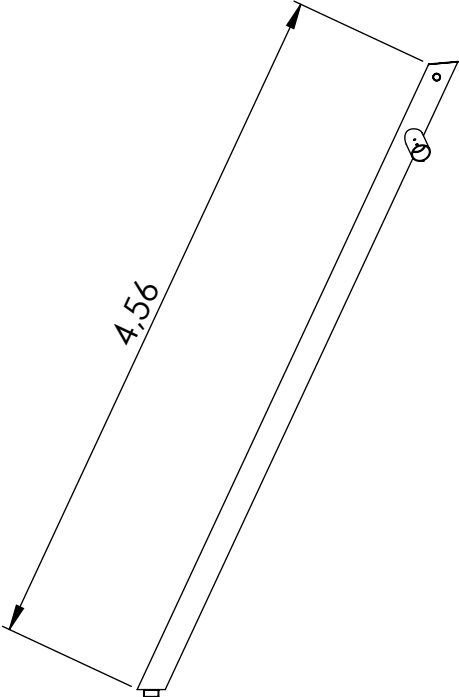
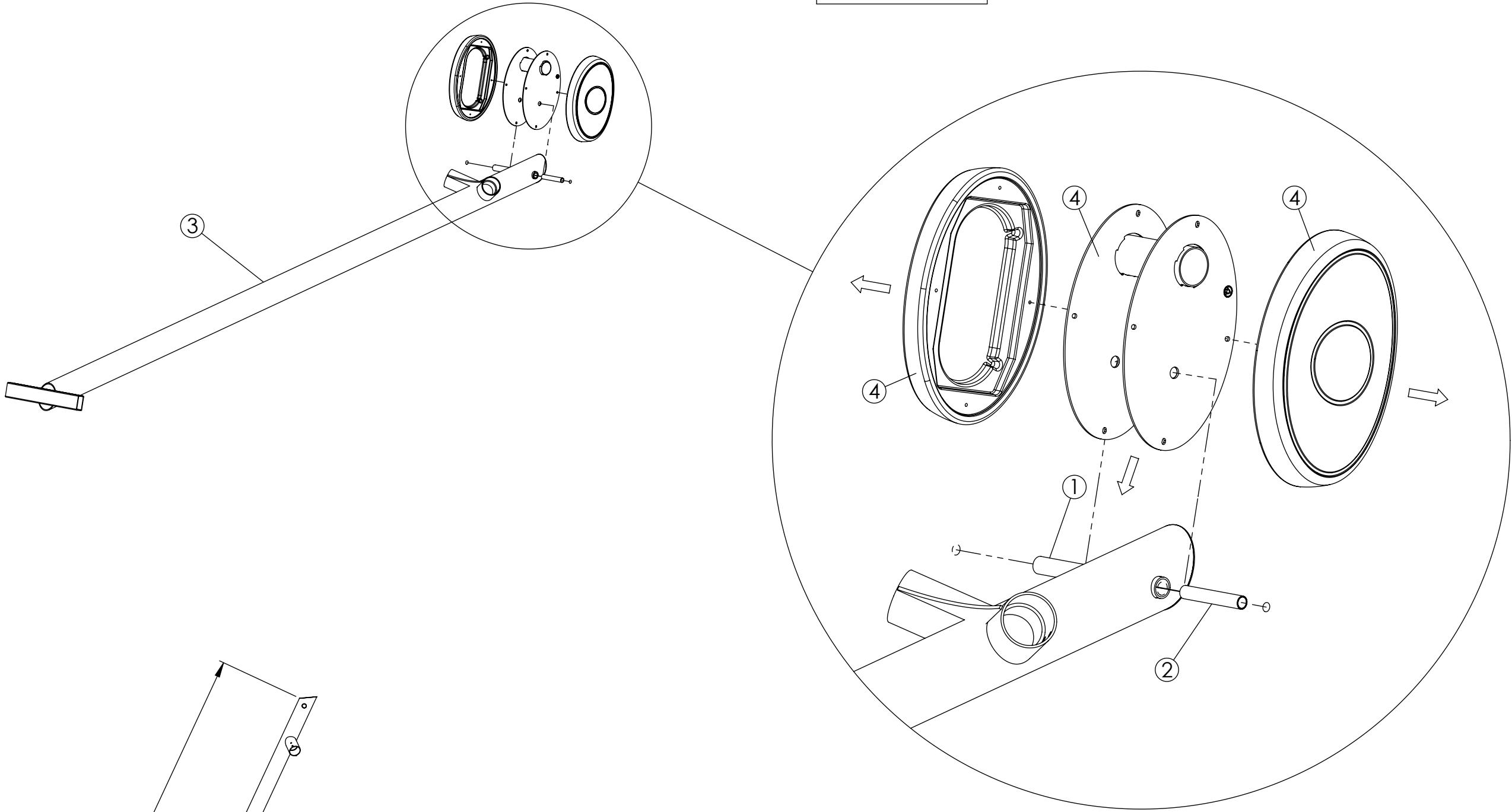
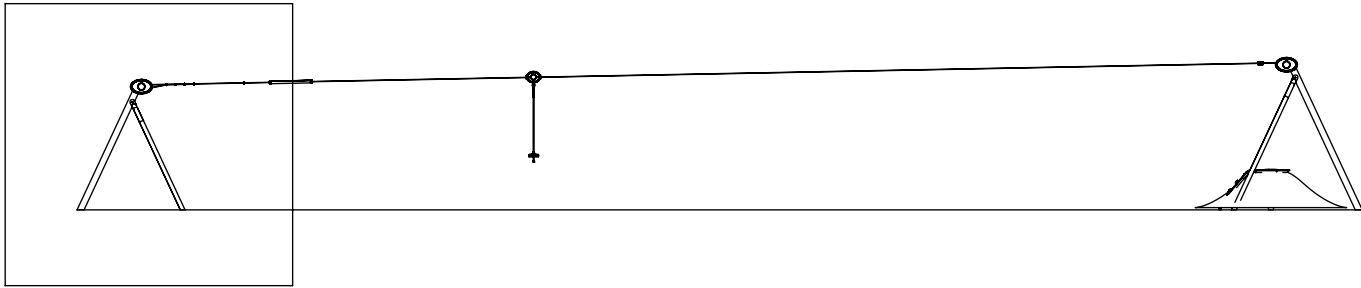
Heads & legs

MASW26162

2 (11)

DN MM 2021-02-12 10

4



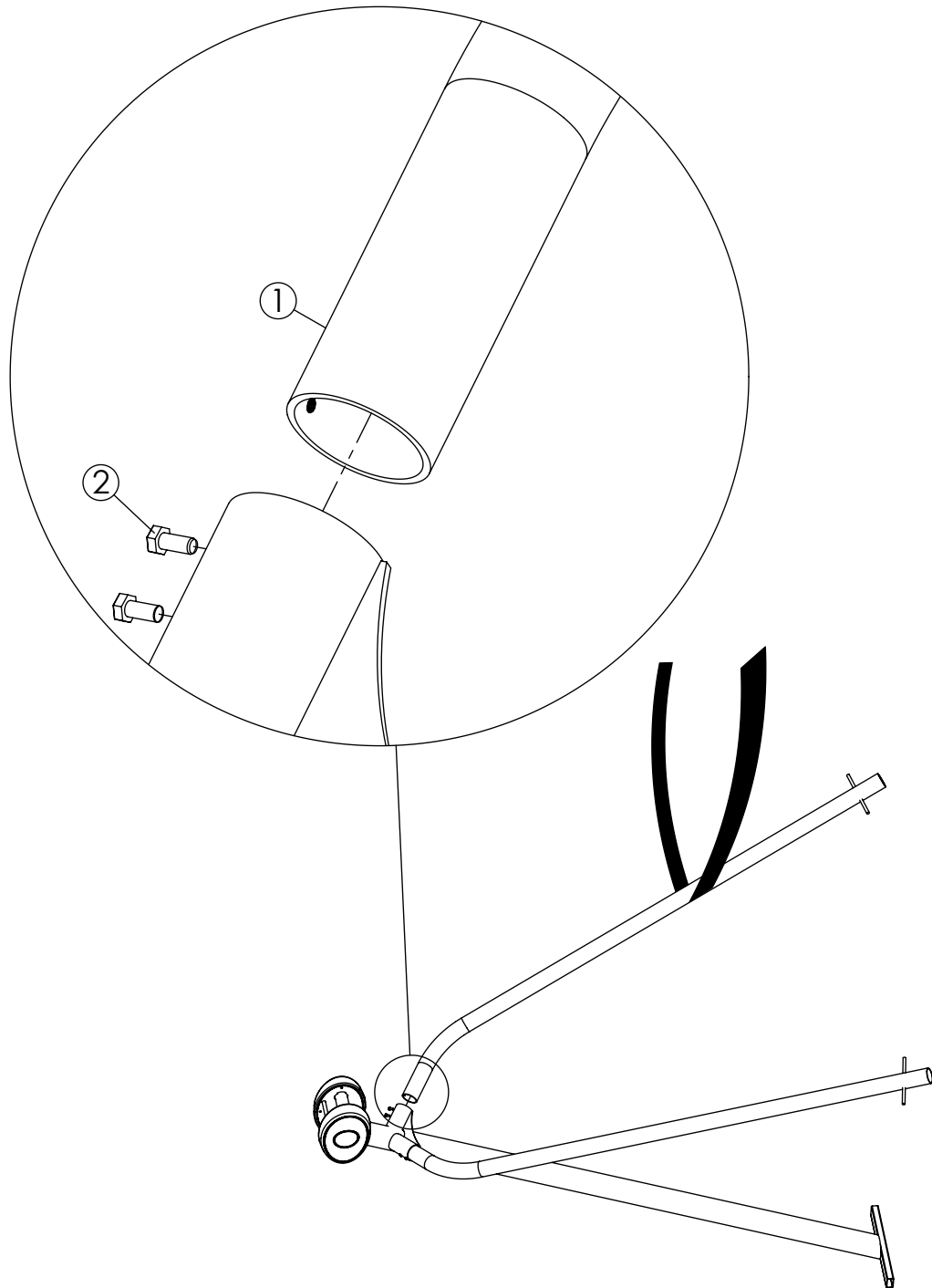
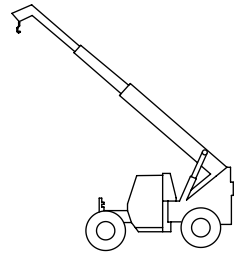
NR.	Description MA	Item Number	QTY.
1	Plastic bushing Ø40	8035301	1
2	Spacer Ø20	8036066	1
3	End main post 4,56 m	8037571	1
4	Fixed Head	8035717	1

HAGS HAGS Aneby AB, Box 133, SE-578 23
Aneby, Sweden, Tel: +46 380 473 00,
<http://www.hags.com>

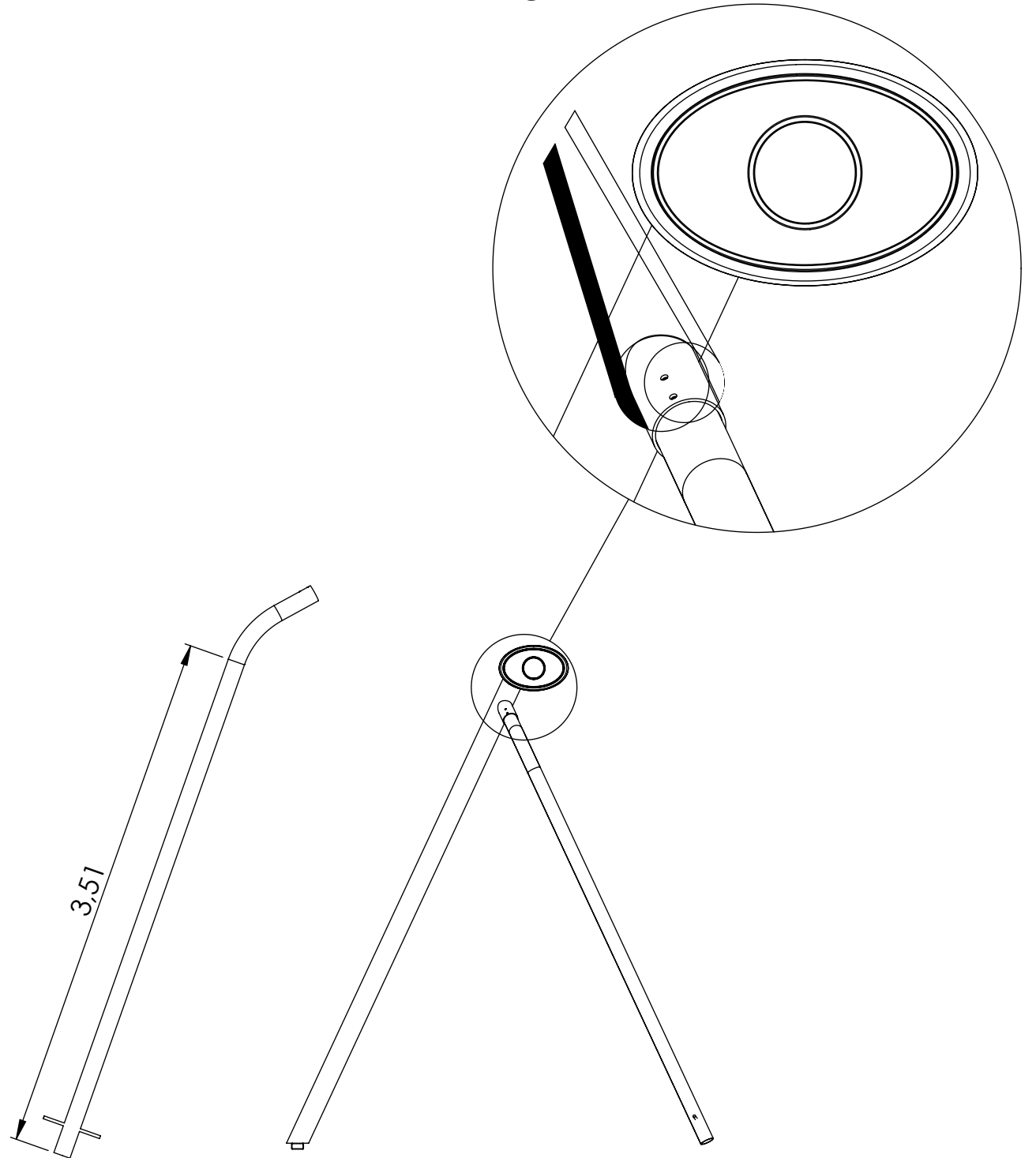
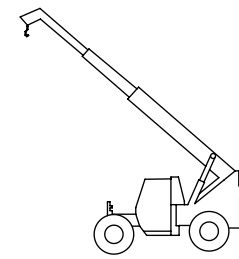
Heads & legs
MASW26162
3 (11)

MM 2021-02-12 10

5



6

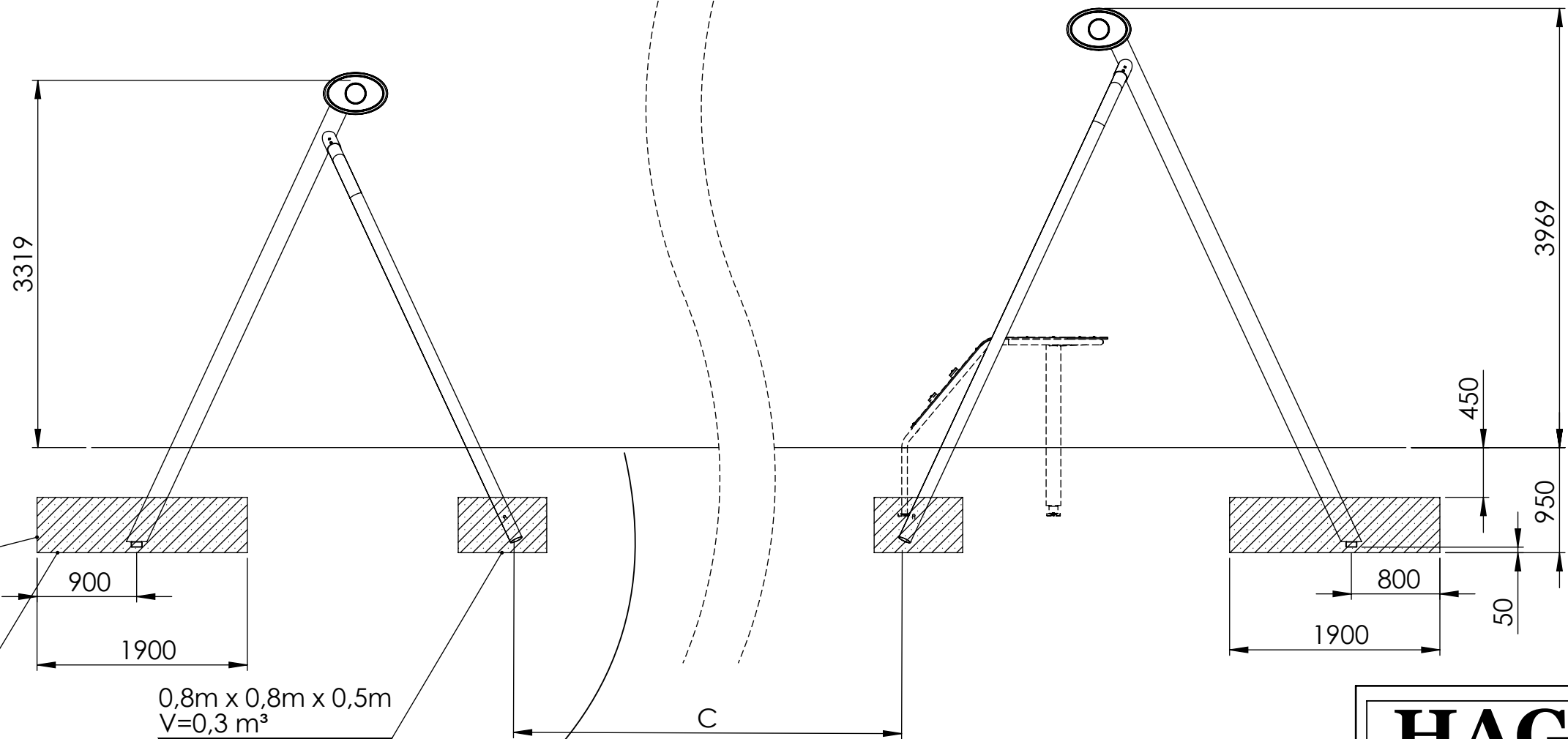
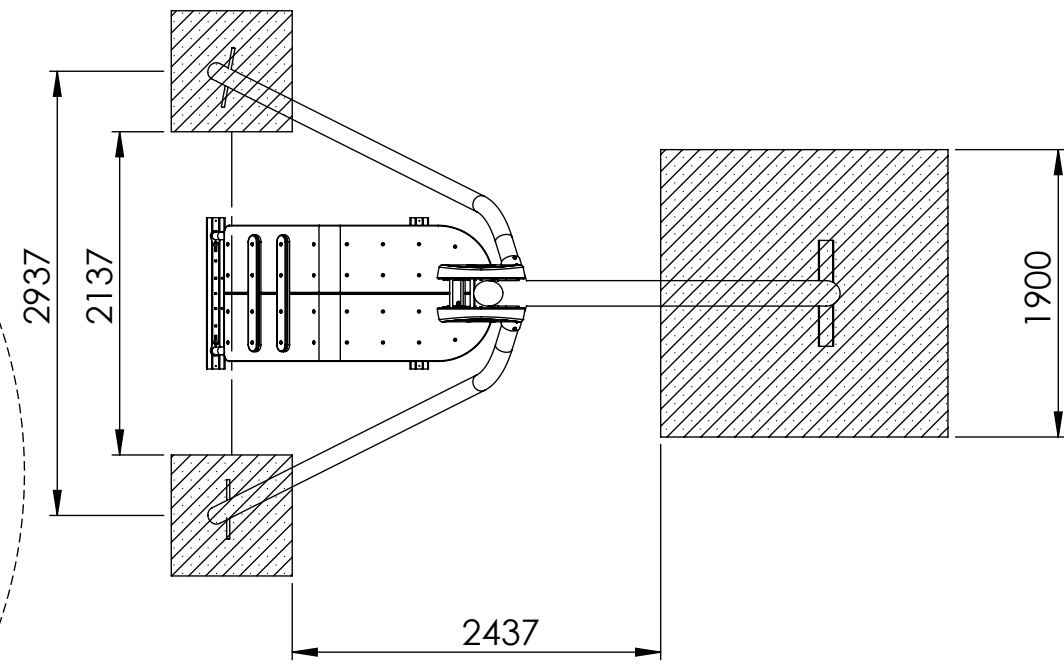
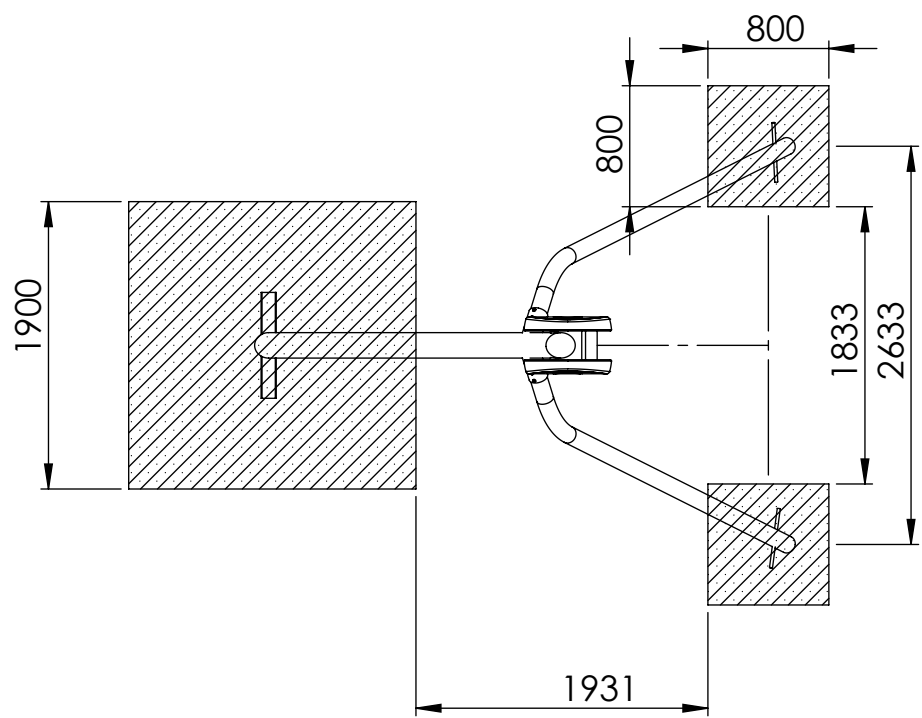


NR.	Description MA	Item Number	QTY.
1	End bracing leg 3,51 m	8037569	2
2	M6S M12x25 mm	8008409	4

HAGS HAGS Aneby AB, Box 133, SE-578 23
Aneby, Sweden, Tel: +46 380 473 00,
<http://www.hags.com>

Heads & legs
MASW26162
4 (11)

DN MM 2021-02-12 10



4x24h !

>C20/25
S1-S3

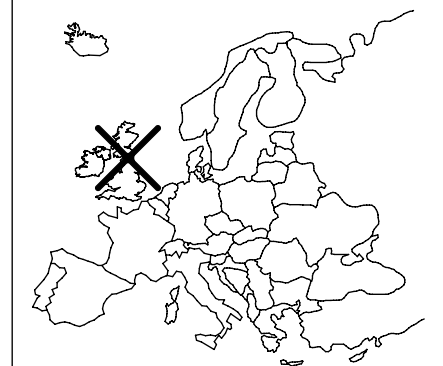
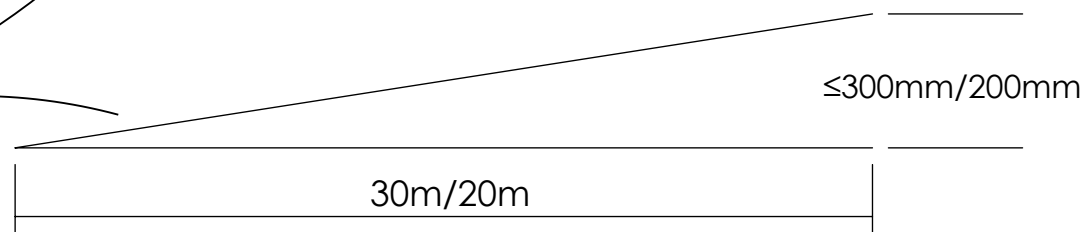
101

1,90m x 1,90m x 0,5m
V=1,8 m³

0,8m x 0,8m x 0,5m
V=0,3 m³



Option	30m	20m
C	27,08	17,18
Ground	0,00-0,30	0,00-0,20



HAGS HAGS Aneby AB, Box 133, SE-578 23 Aneby, Sweden, Tel: +46 380 473 00, http://www.hags.com

Heads & legs

MASW26162

5 (11)

DN MM 2021-02-12 10

8

Go to

Step 2

 MASW26997

 MASW26966

9

Go to

Step 3 & Step 4



 MASW26113

10

Go to

Step 5

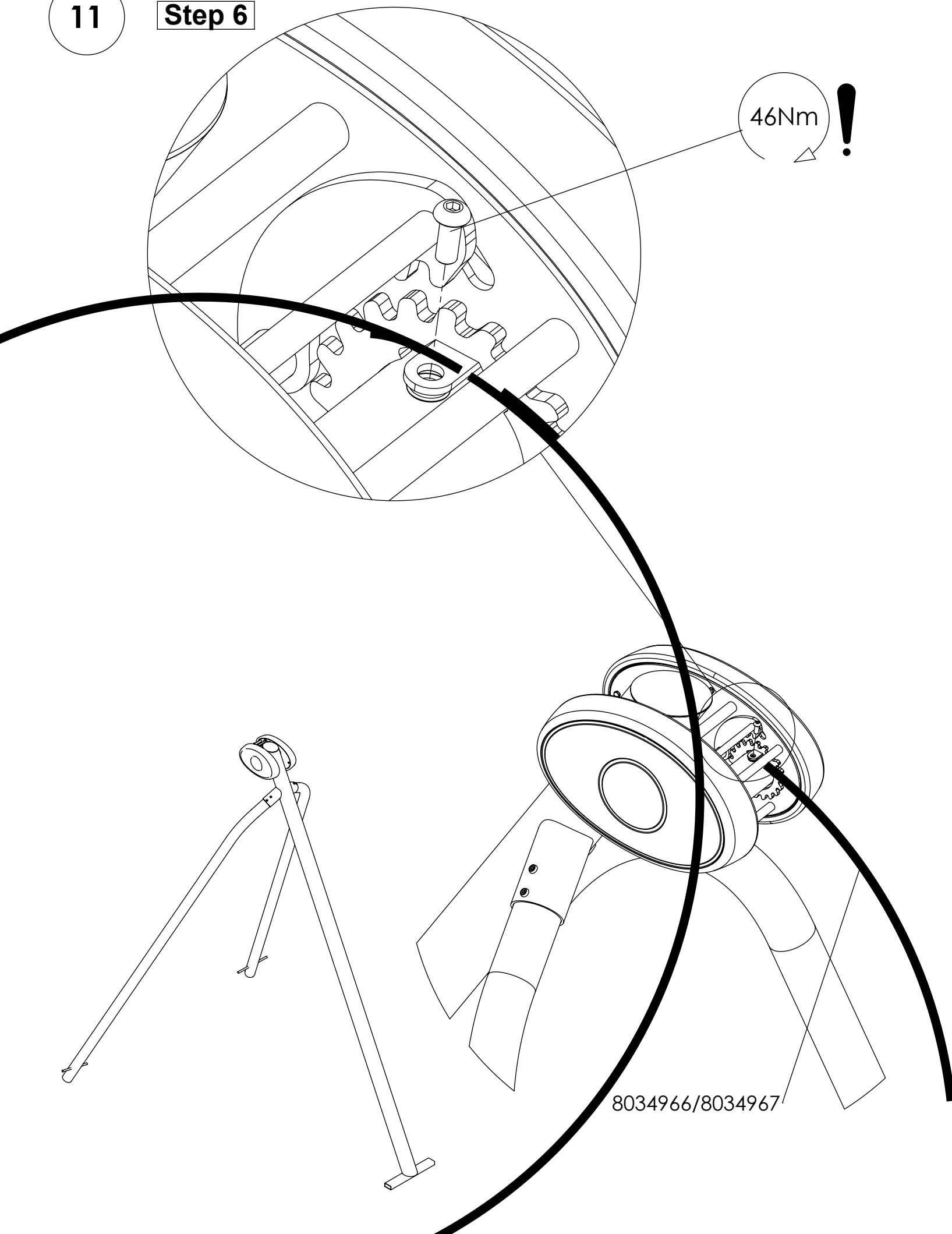
 MASW25209

HAGS		<small>HAGS Aneby AB, Box 133, SE-578 23 Aneby, Sweden, Tel: +46 380 473 00, http://www.hags.com</small>	
Heads & legs			
MASW26162			
6 (11)			
	DN		MM 2021-02-12 10

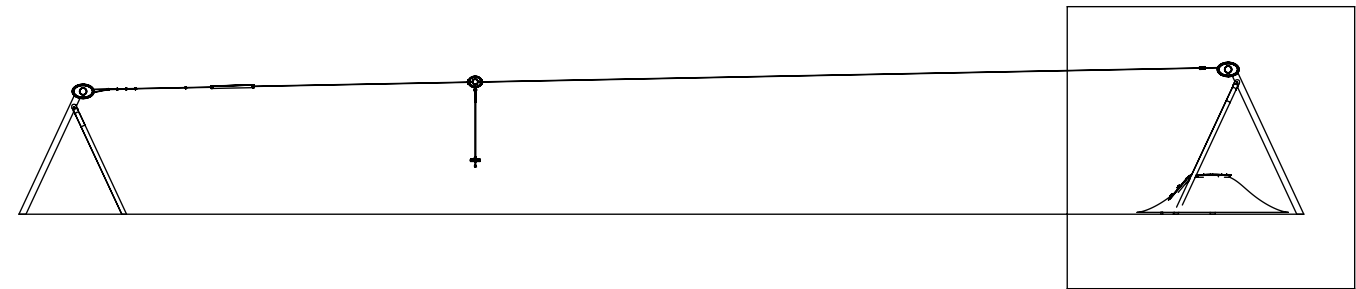
11

Step 6

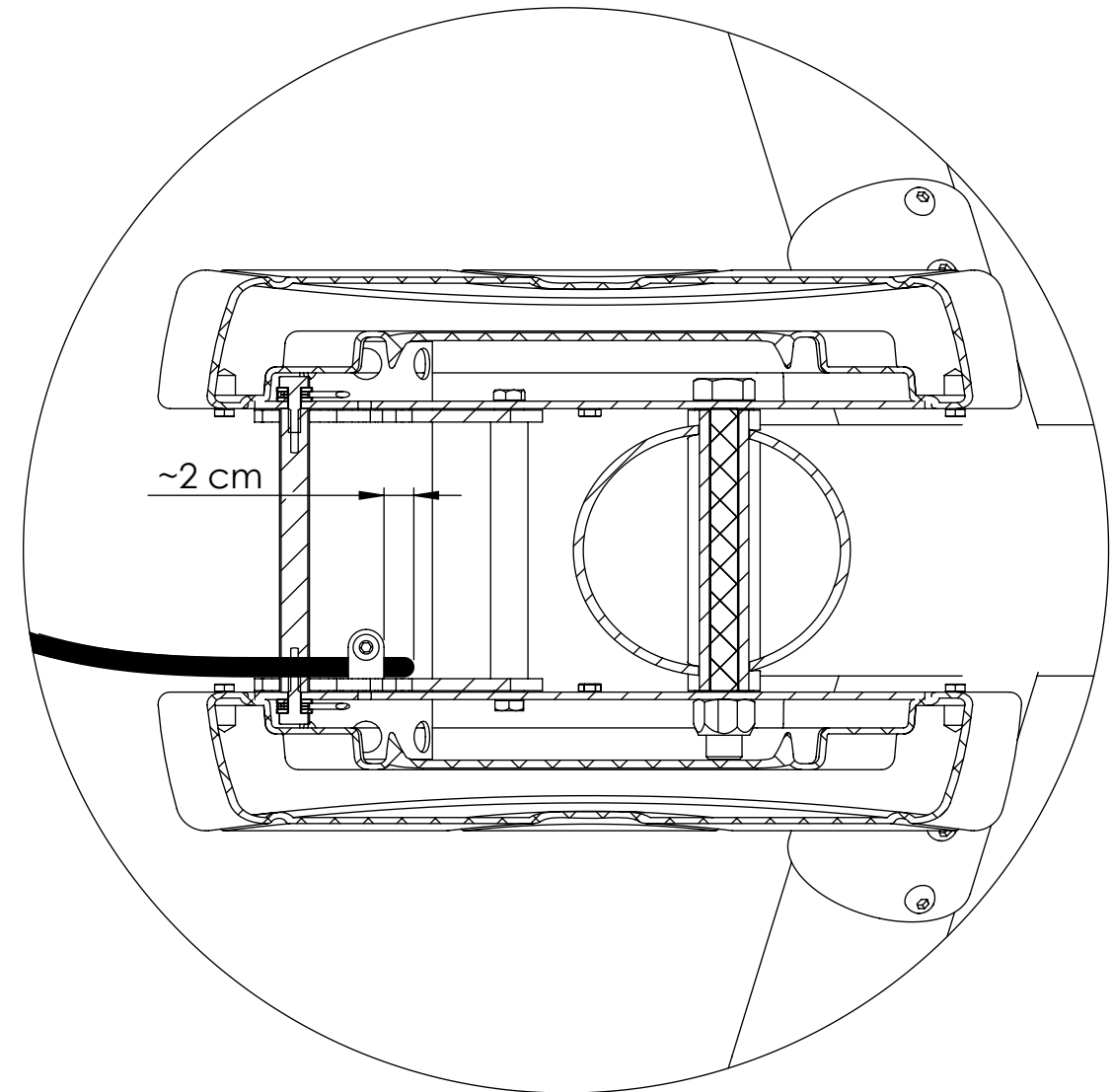
46Nm !



8034966/8034967



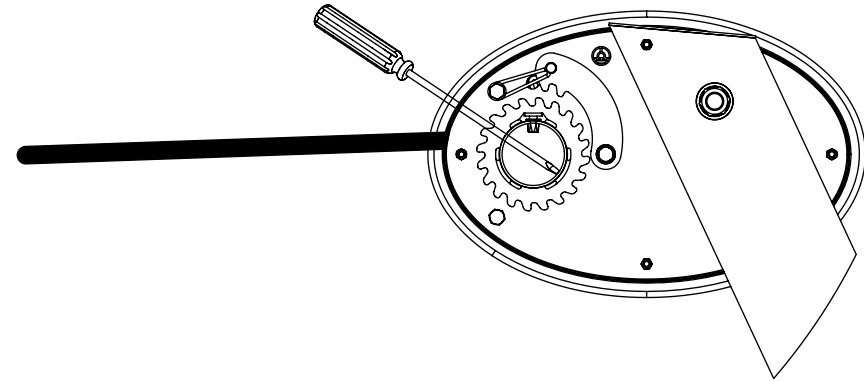
12



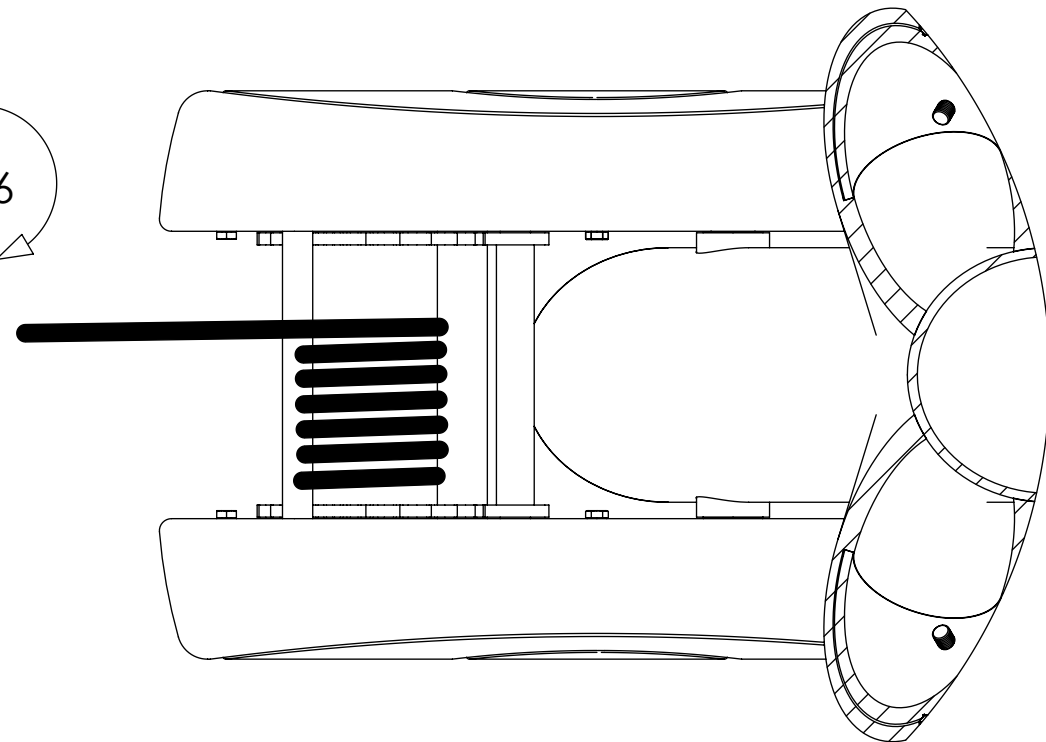
~2 cm

HAGS		HAGS Aneby AB, Box 133, SE-578 23 Aneby, Sweden, Tel: +46 380 473 00, http://www.hags.com	
Heads & legs			
MASW26162			
7 (11)			
	DN		MM 2021-02-12 10

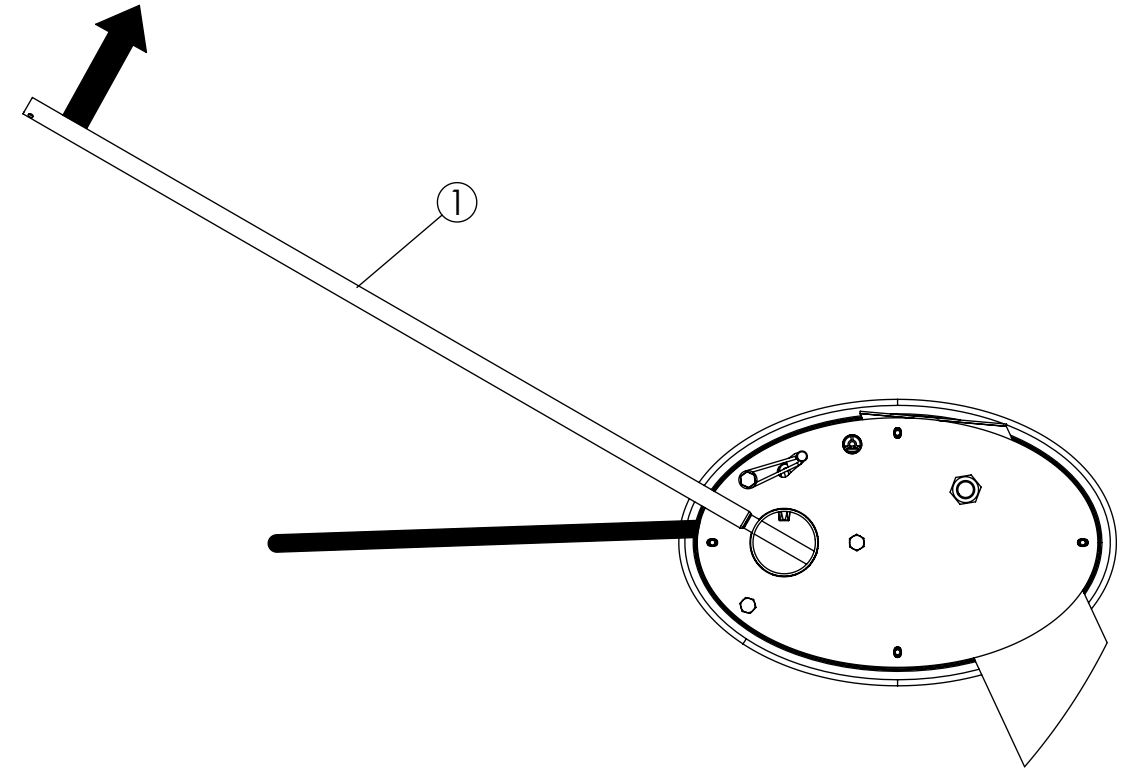
13



>x6



14

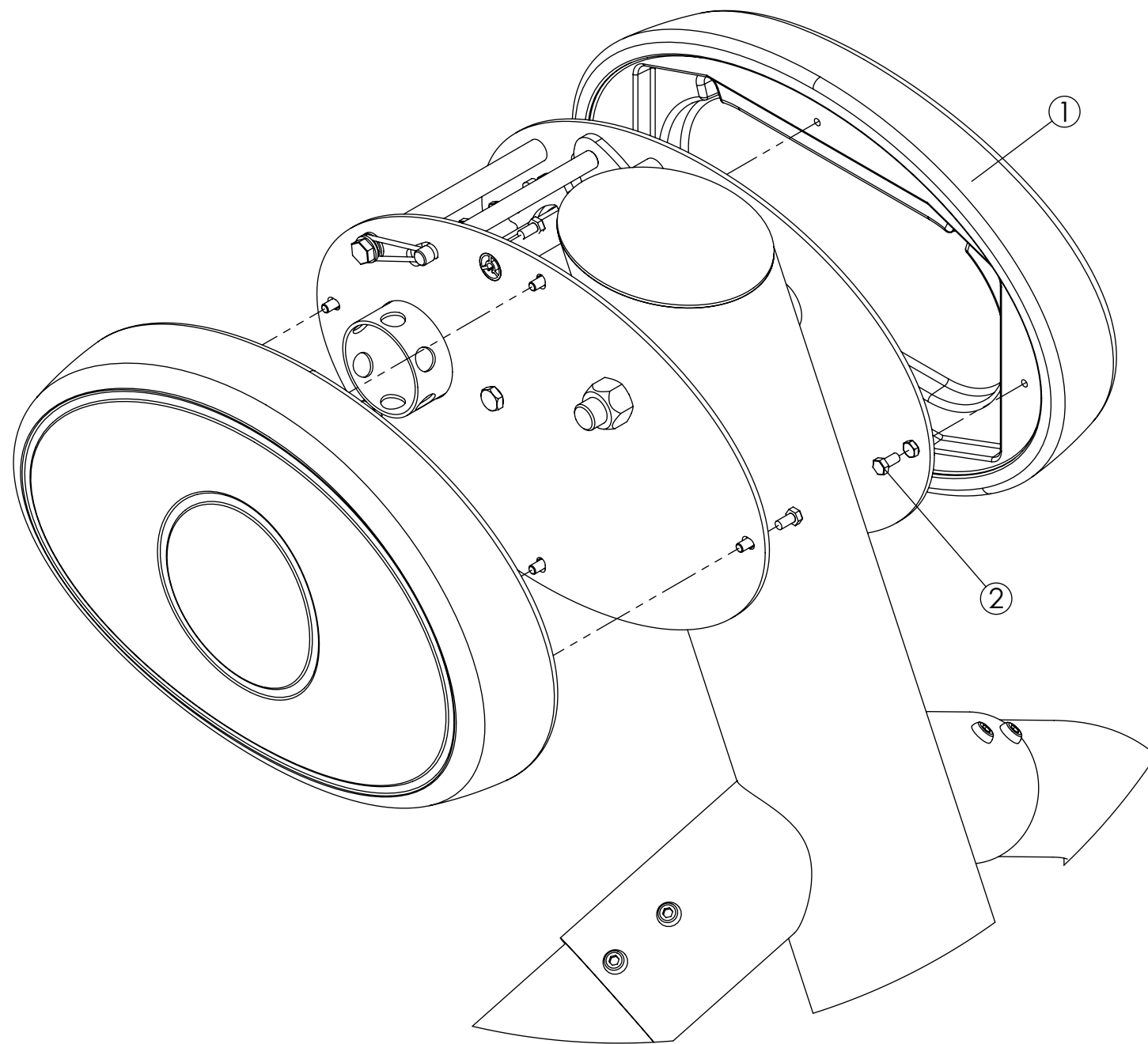
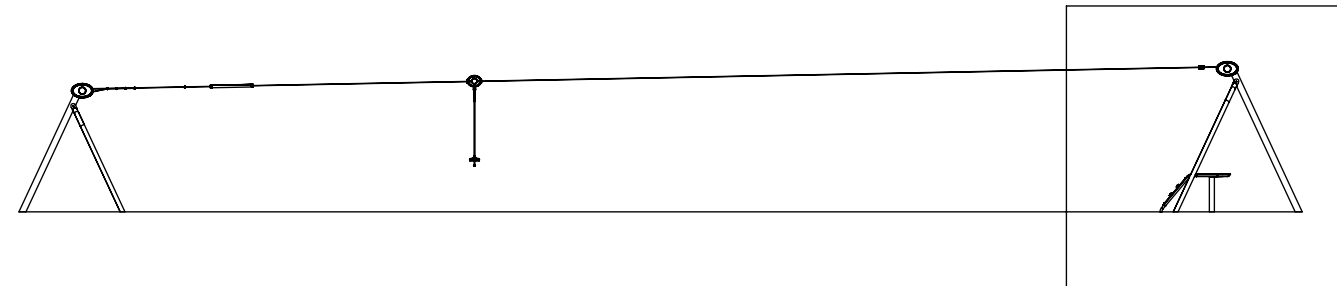


HAGS HAGS Aneby AB, Box 133, SE-578 23
Aneby, Sweden, Tel: +46 380 473 00,
<http://www.hags.com>

Heads & legs
MASW26162
8 (11)

DN MM 2021-02-12 10

NR.	Description MA	Item Number	QTY.
1	Tension Tool		1



NR.	Description MA	Item Number	QTY.
1	Cover	8035527	4
2	M6S M8x16 mm	8008340 (302154)	16

HAGS HAGS Aneby AB, Box 133, SE-578 23
Aneby, Sweden, Tel: +46 380 473 00,
<http://www.hags.com>

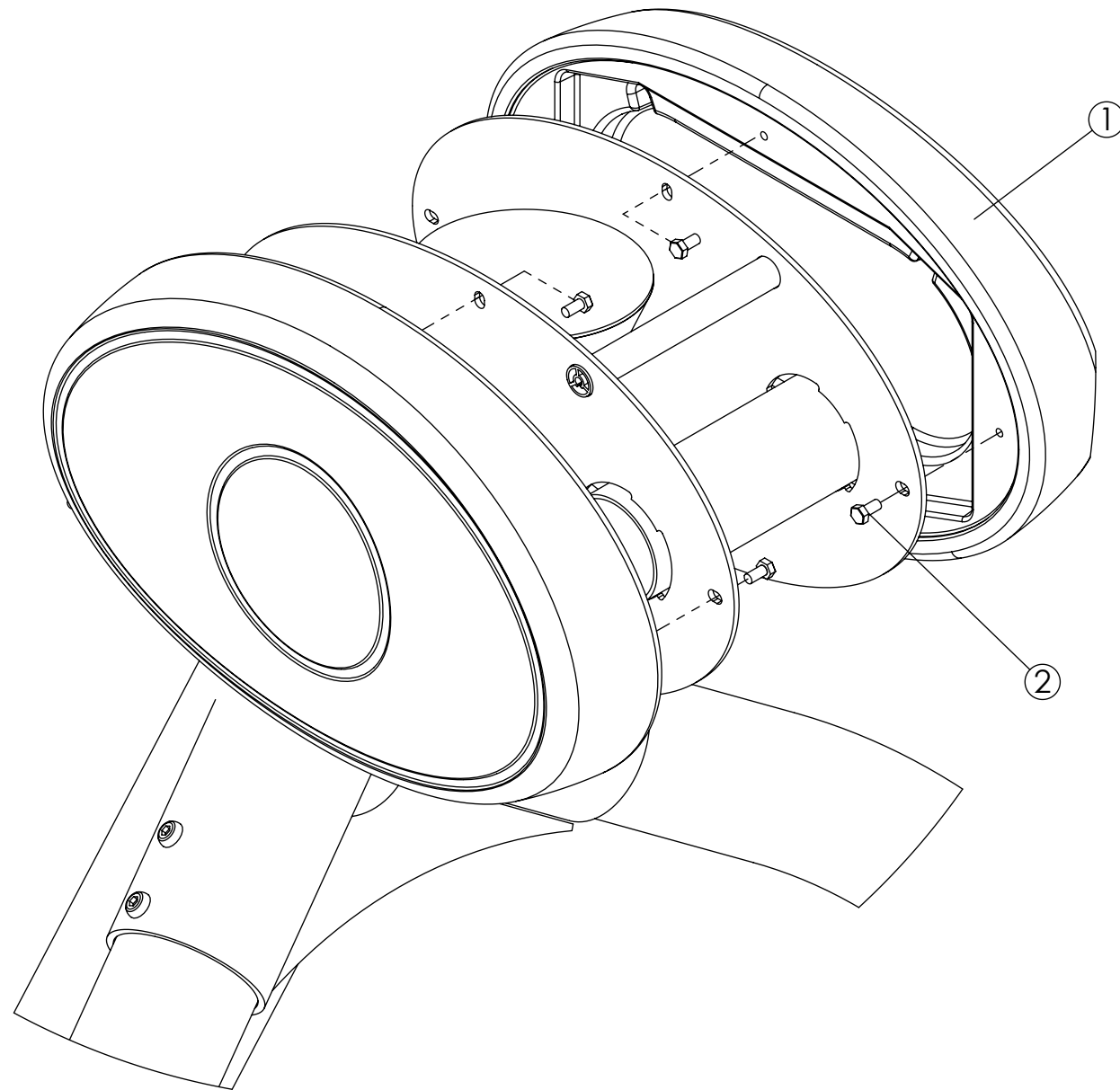
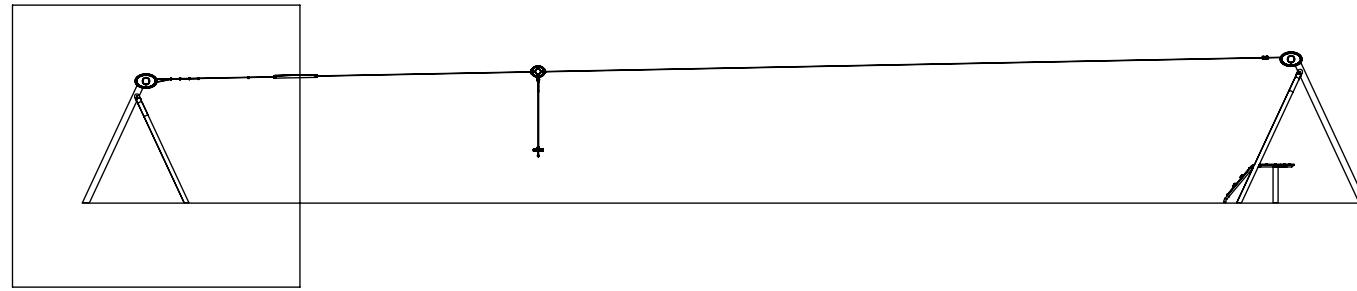
Heads & legs

MASW26162

9 (11)

DN MM 2021-02-12 10

16



17

Go to

Step 7



MASW27796

NR.	Description MA	Item Number	QTY.
1	Cover	8035527	4
2	M6S M8x16 mm	8008340 (302154)	16

HAGS

HAGS Aneby AB, Box 133, SE-578 23
Aneby, Sweden, Tel: +46 380 473 00,
<http://www.hags.com>

Heads & legs

MASW26162

10 (11)

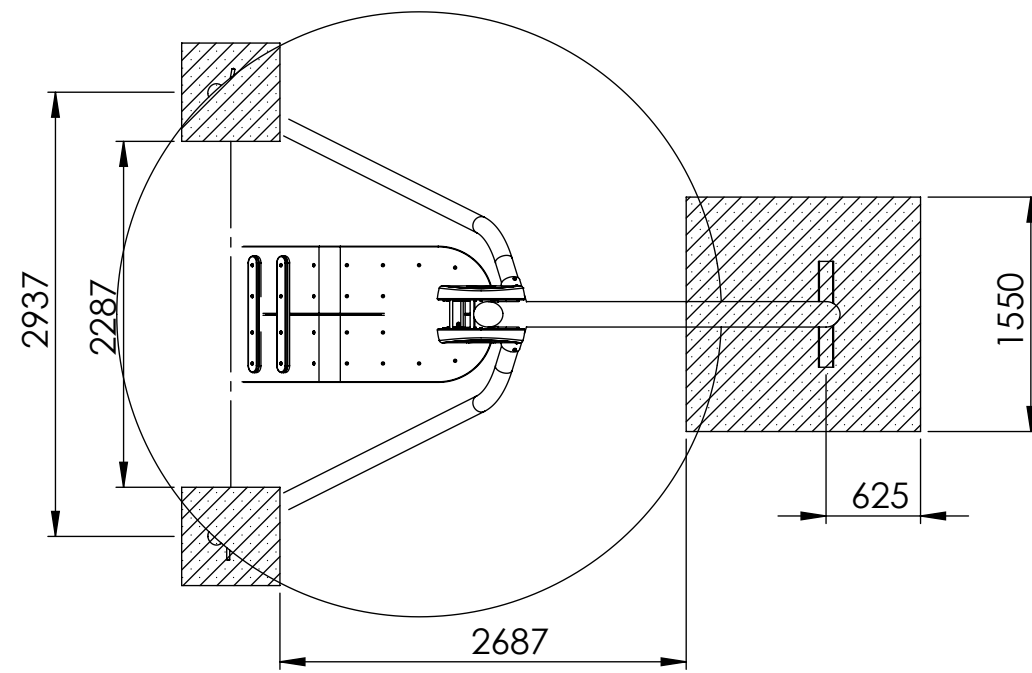
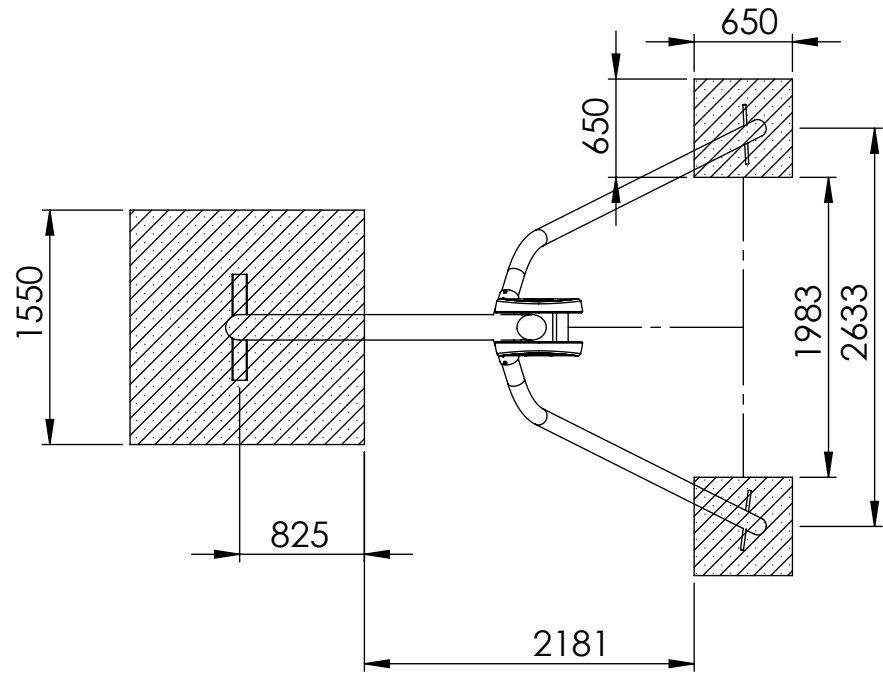


DN



MM 2021-02-12

10



144
TYPE 3
WETPOUR

144
TYPE 5
GRASS MAT

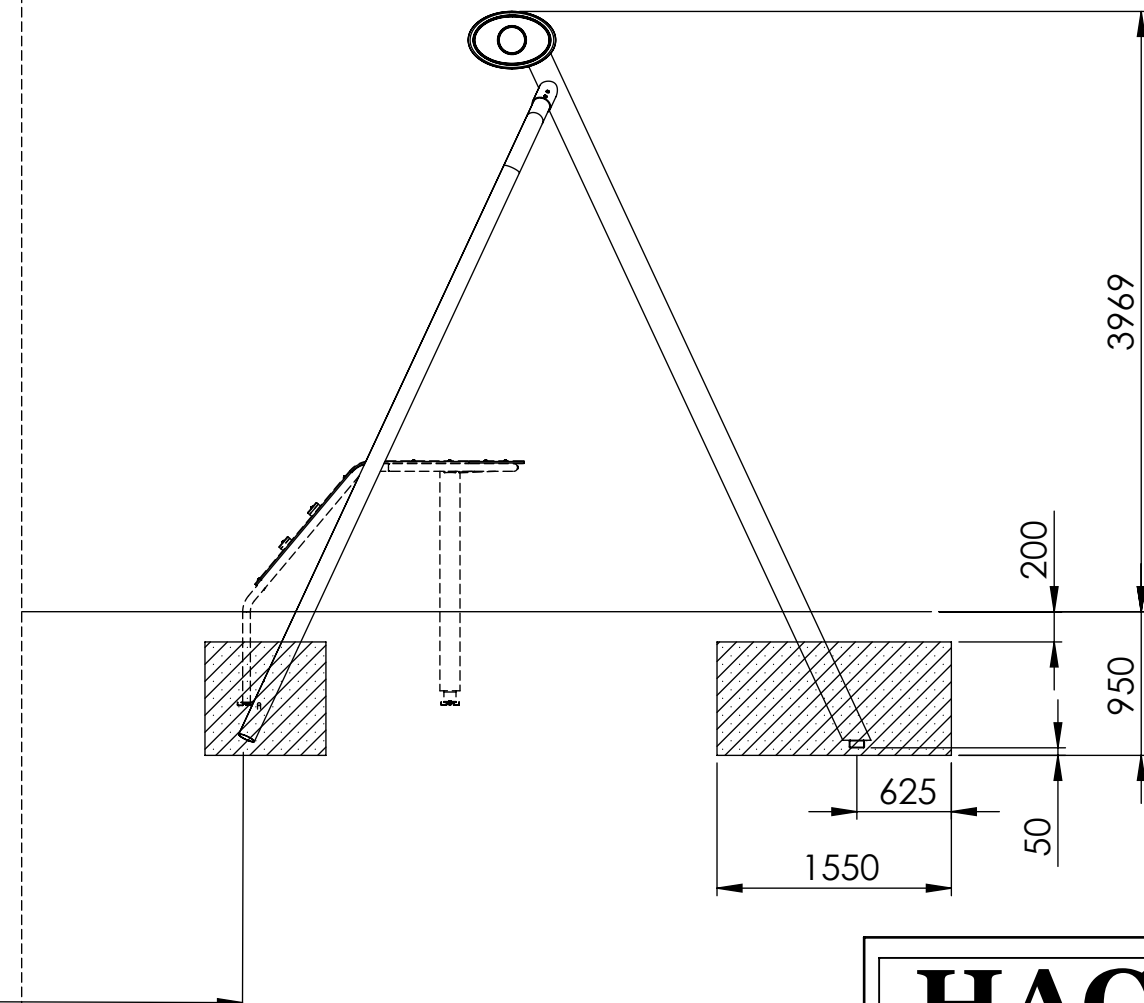
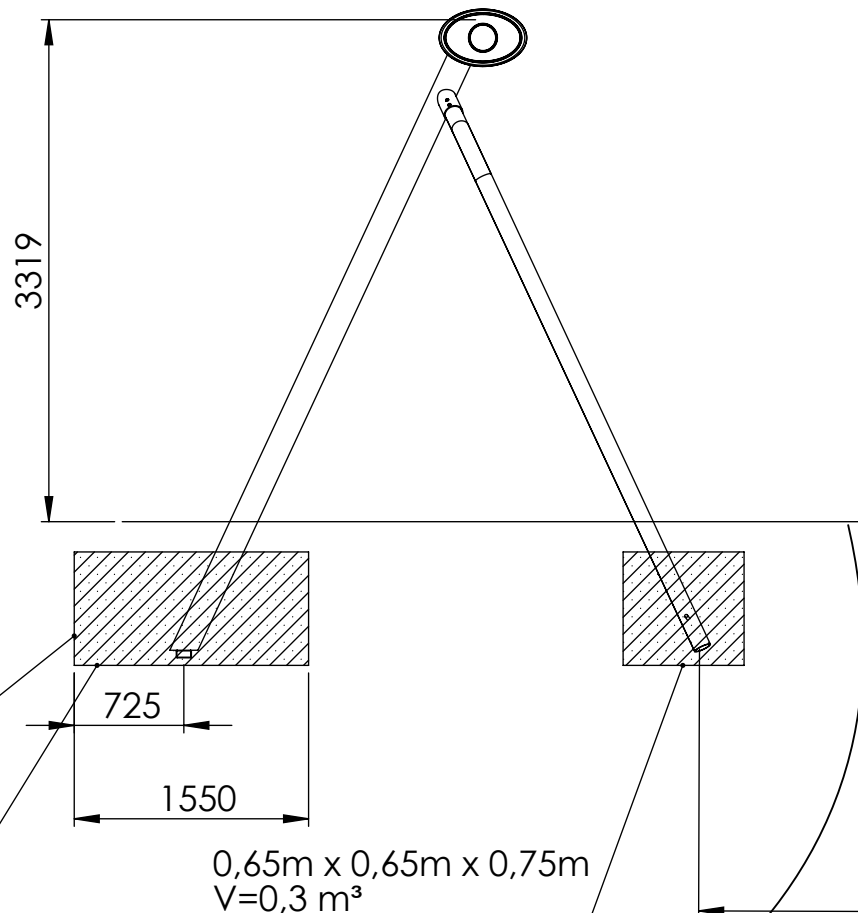
4x24h

>C20/25
S1-S3

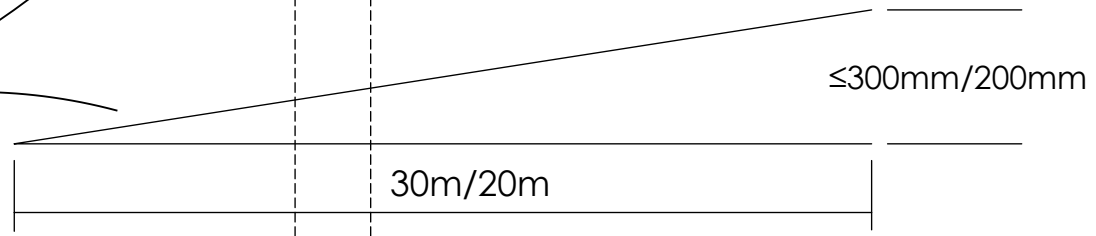
101

1,55m x 1,55m x 0,75m
V=1,8 m³

0,65m x 0,65m x 0,75m
V=0,3 m³



Option	30m	20m
C	27,08	17,18
Ground	0,00-0,30	0,00-0,20



HAGS HAGS Aneby AB, Box 133, SE-578 23
Aneby, Sweden, Tel: +46 380 473 00,
<http://www.hags.com>

Heads & legs

MASW26162

11 (11)

DN MM 2021-02-12 10