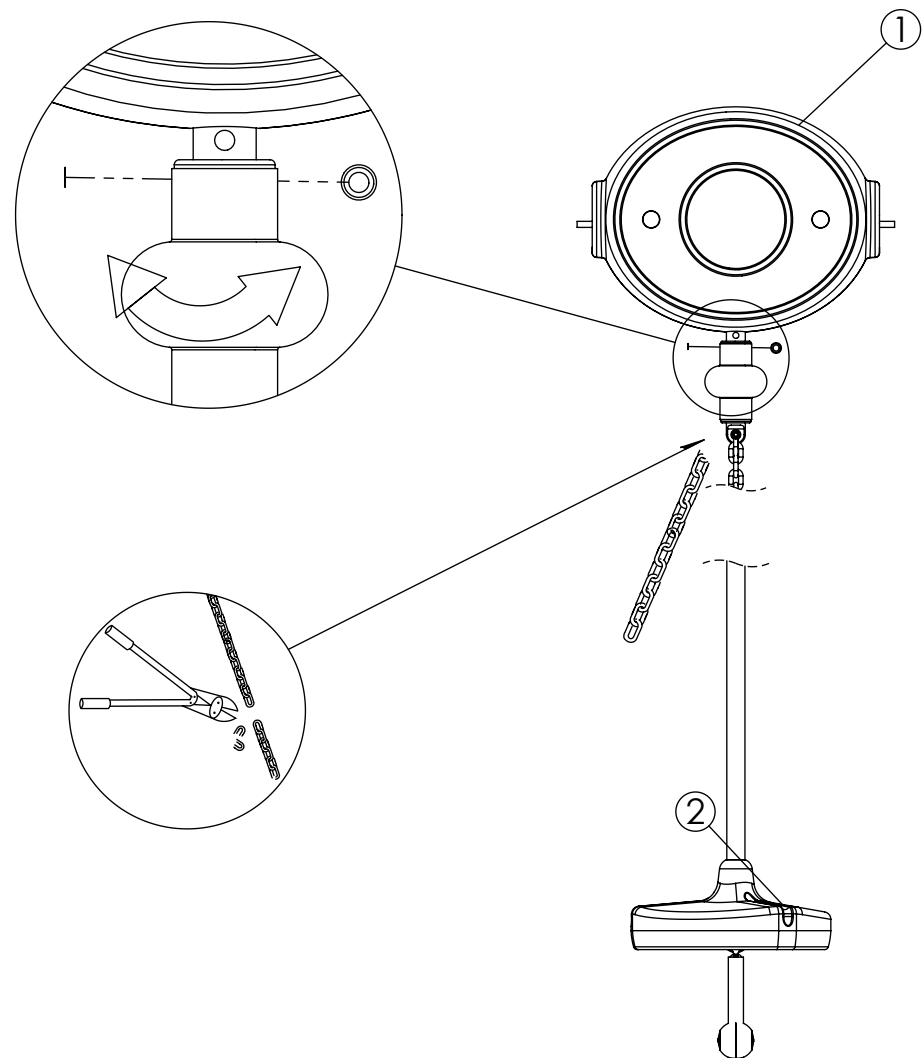
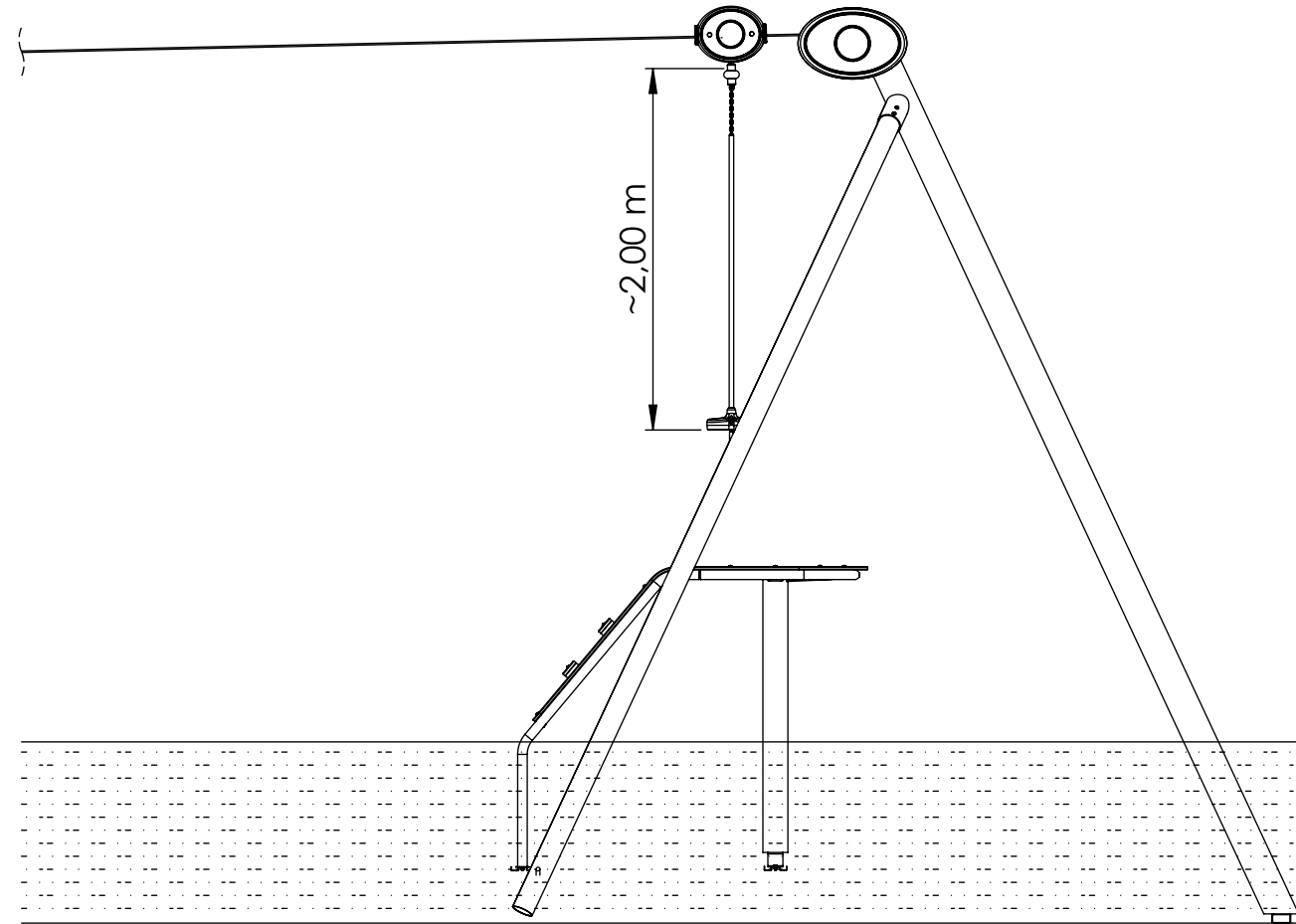
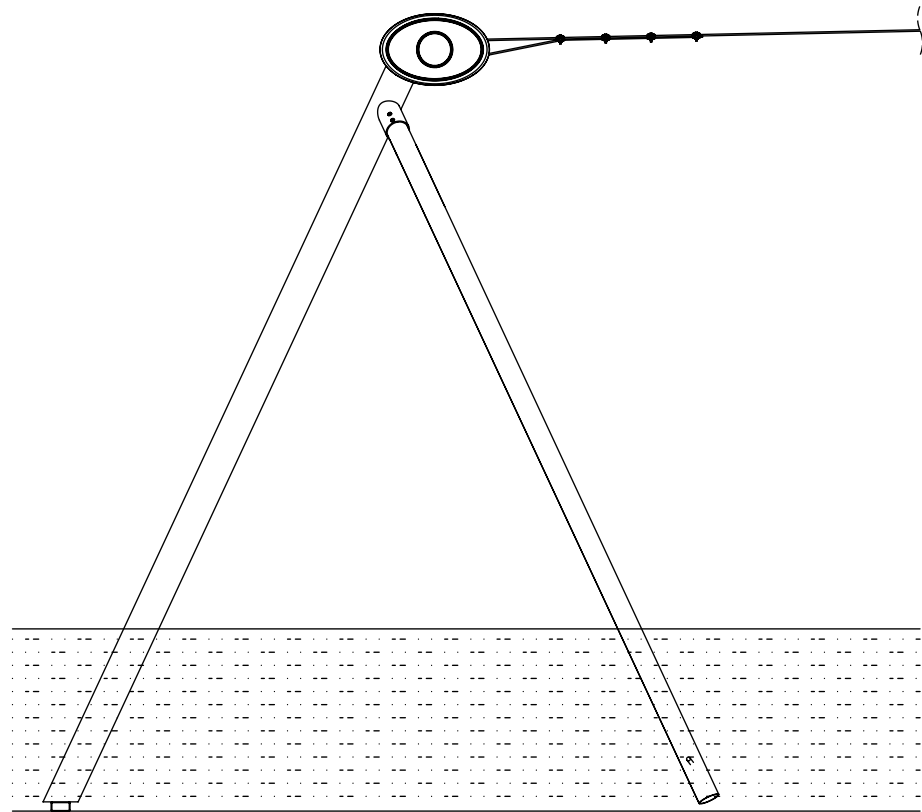
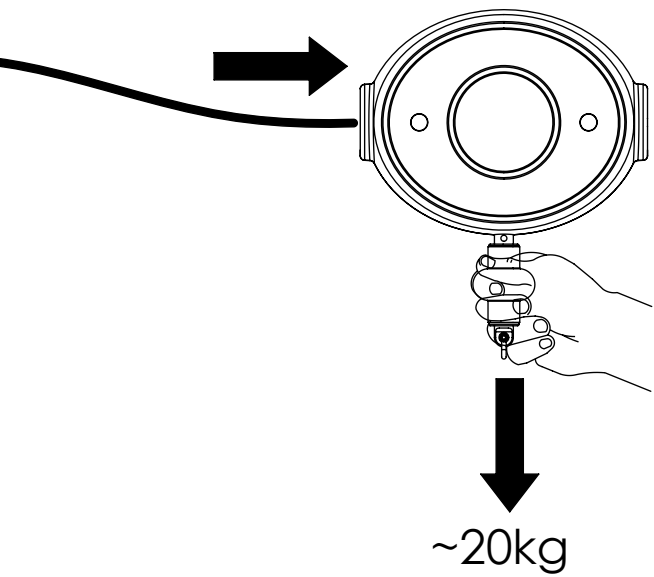


STEP 5





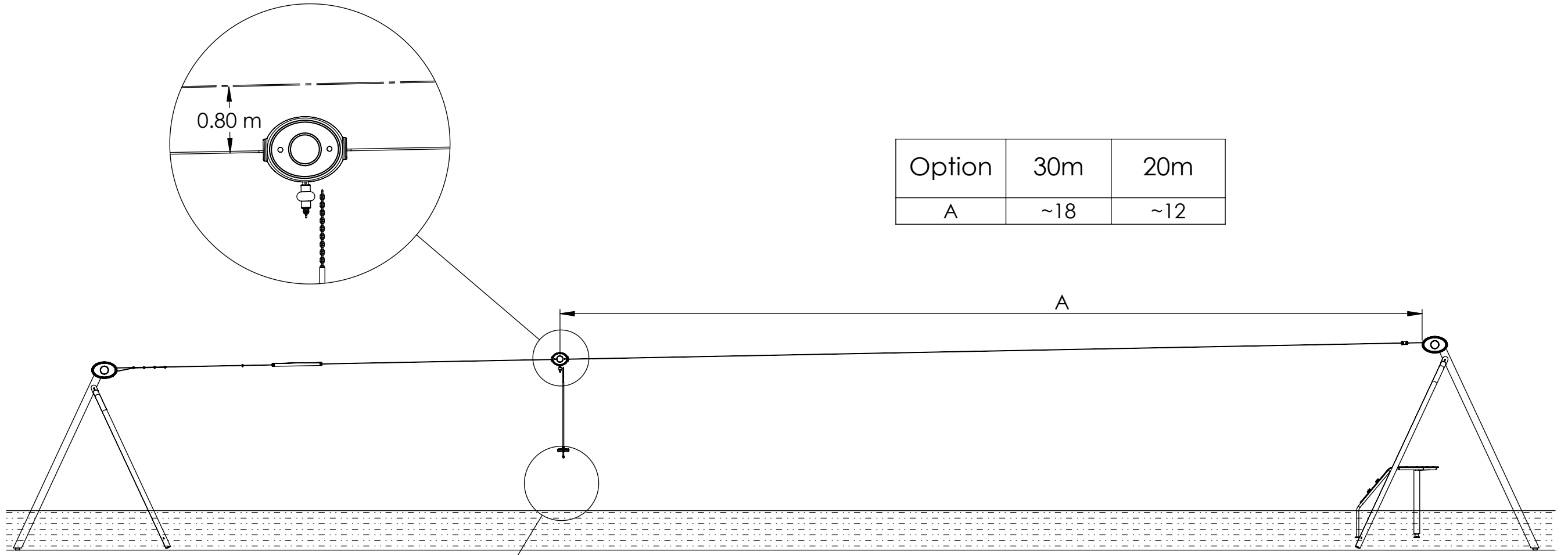
NR.	Description MA	Item Number	QTY.
1	Trolley	8035733	1
2	Cableway Seat	8036450	1

HAGS HAGS Aneby AB, Box 133, SE-578 23
Aneby, Sweden, Tel: +46 380 473 00,
<http://www.hags.com>

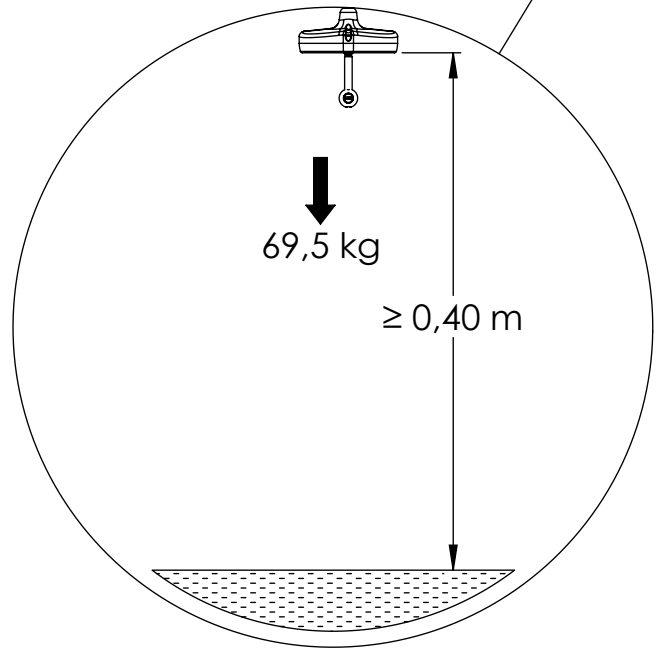
Trolley
MASW25209

1 (2)

  TB 2014-11-12 5



Option	30m	20m
A	~18	~12



HAGS		HAGS Aneby AB, Box 133, SE-578 23 Aneby, Sweden, Tel: +46 380 473 00, http://www.hags.com	
Trolley			
MASW25209			
2 (2)			
		TB	2014-11-12 5