

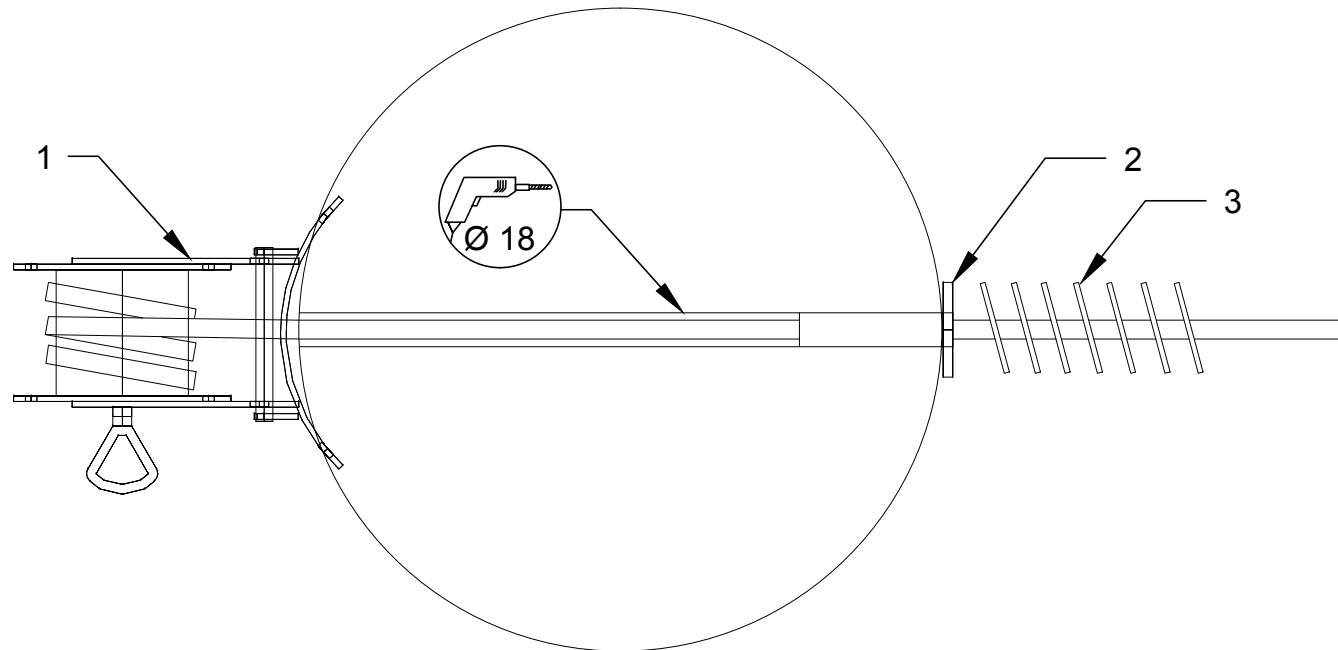
NORLEG

Mont.p. nr. 20

LE -

05.01.2005

REV. A: 17.02.2014



Parts list

POS	PART. NO	NAME/DIMENSION
1	LE 15510	Wire strammer
2	LE 15498	A2 bøsning
3	LE 15504	3 m Spring

This drawing is the property of NORLEG and pursuant to current legislation may not be copied, transferred to or used by any third party. Should this drawing be used, a fee of 10% of the assumed contract price will be charged.