
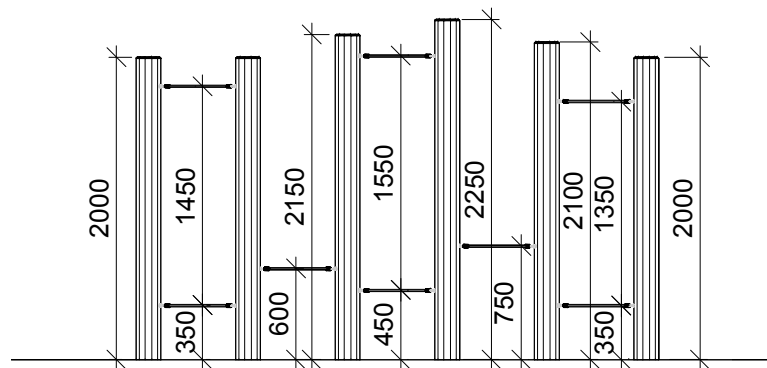
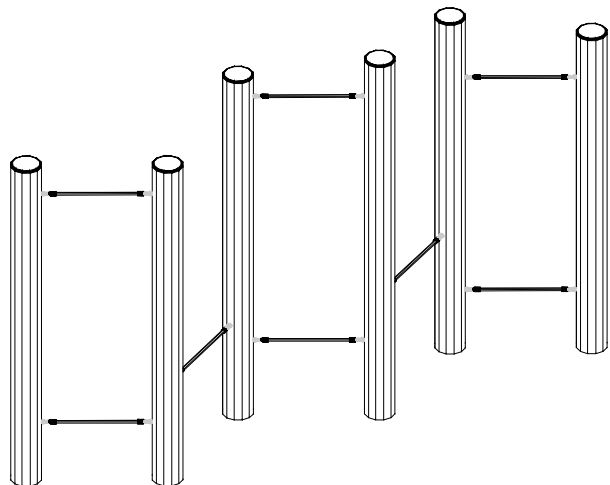


<b>NORLEG</b>	
Robinia klatrelabyrint	
LE 20964	
09.10.2008	REV. 11.12.2015

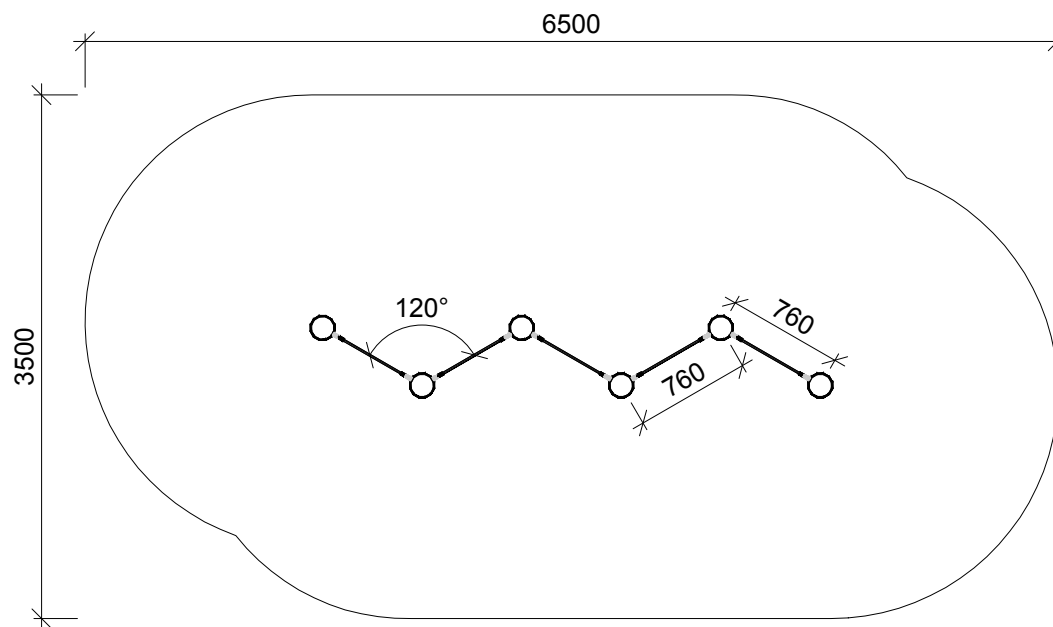
< 750



≥ EN 1176



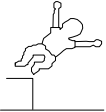
1:50



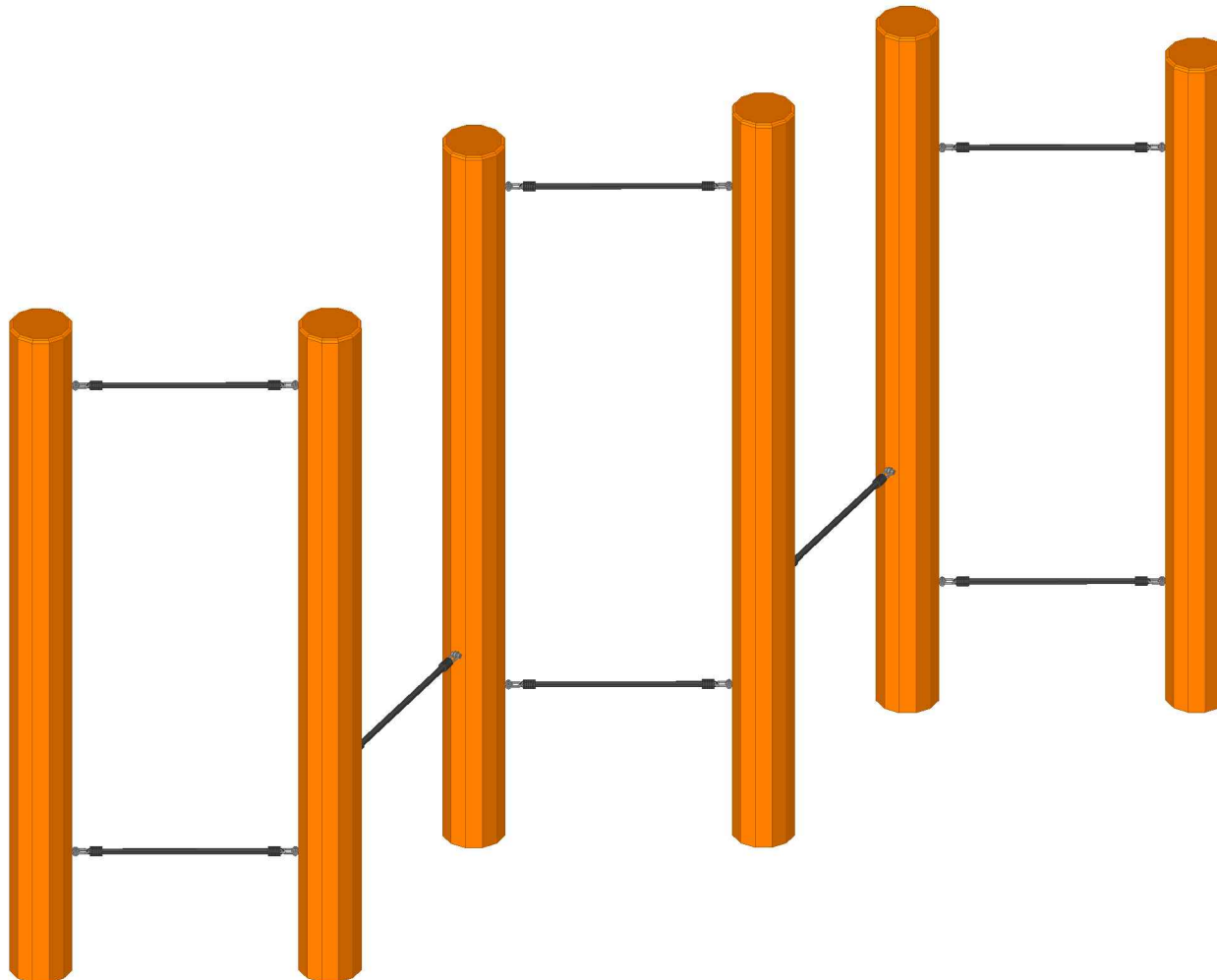
1:50

NORLEG - 3D	
Robinia klatrelabyrint	
LE 20964	
09.10.2008	REV. 11.12.2015

< 750

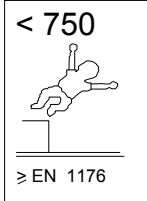


≥ EN 1176



This drawing is the property of NORLEG and pursuant to current legislation may not be copied, transferred to or used by any third party. Should this drawing be used, a fee of 10% of the assumed contract price will be charged.

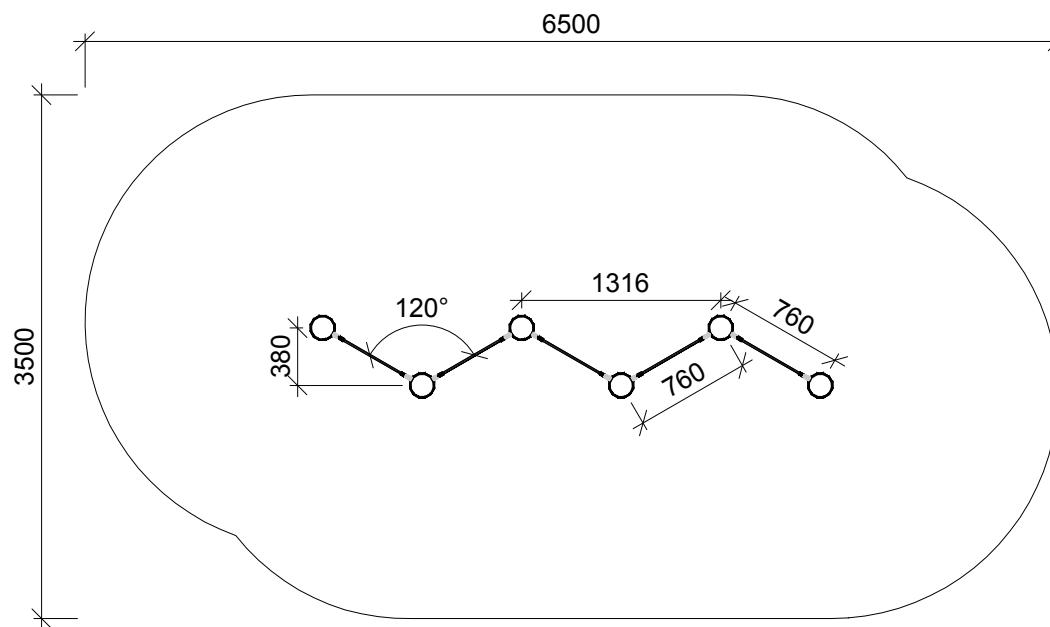
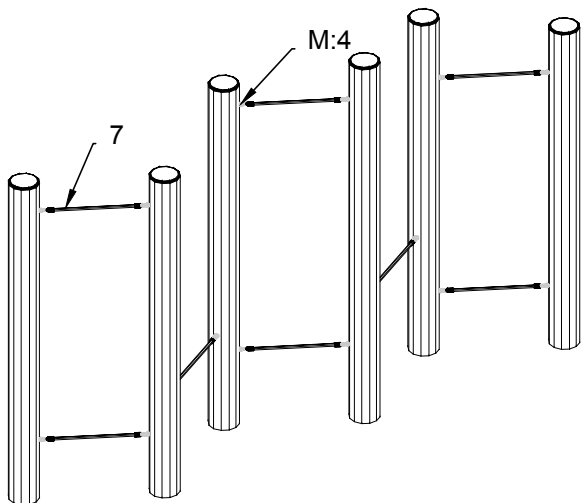
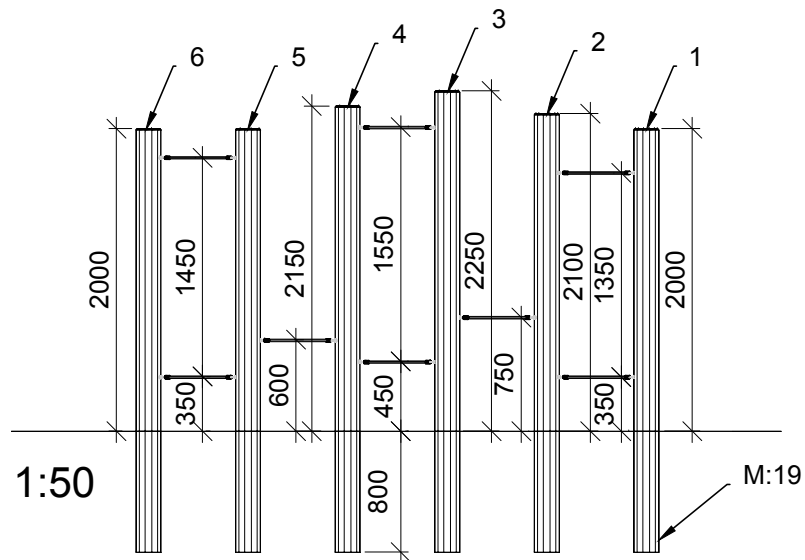
<b>NORLEG</b> - Mont.	
Robinia klatrelabyrint	
LE 20964	
09.10.2008	REV. 11.12.2015



Mont.p. nr.

4  
19

Robinia		
Mrk.	QTY	Part.no
1	1	160-180-2800
2	1	160-180-2900
3	1	160-180-3050
4	1	160-180-2950
5	1	160-180-2800
6	1	160-180-2800
7	8	LE 26093



1:50

This drawing is the property of NORLEG and pursuant to current legislation may not be copied, transferred to or used by any third party. Should this drawing be used, a fee of 10% of the assumed contract price will be charged.