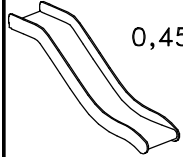
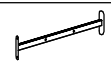
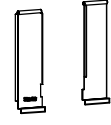
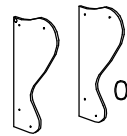
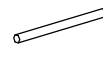
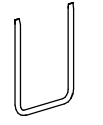

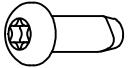
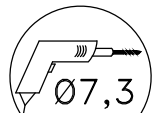
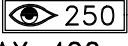

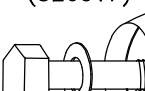




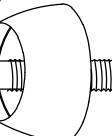

TYPE	HAGS.NO
 0,45x3,2m	132743
 0,89m	410601
 Right pannel is marked with punched HAGS logo! 0,2x0,74m	135020-02 135021-02
 0,37x0,71m	135010-01 135011-01 135012-01 135013-01
 Ø25mm L=0,45m	153406
 L=1.04m	41006410
 0,62m	610071-02

A



  Ø7,3
Screw thr-forming
M8x25-8.8-(ISO7380)
(8008506)  250
MAX 400rpm


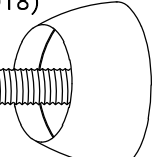
B

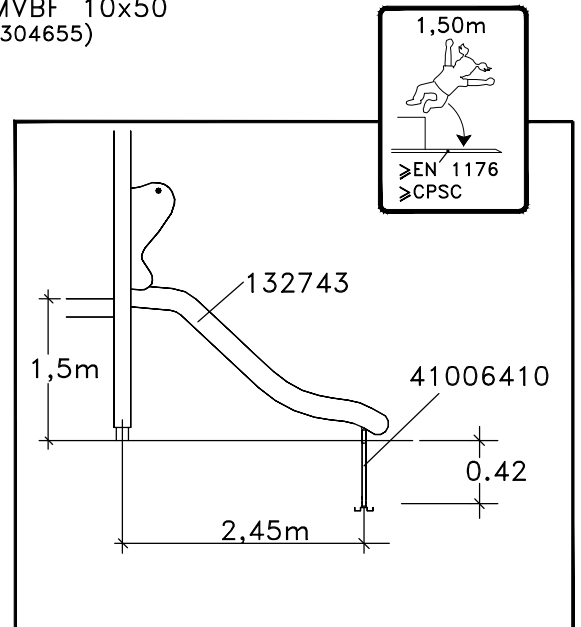
 COVER 8 (261808)  SRB 9x18 (326017)  SRB 9x18 (326017)

 M6S 8x40 (302161)  CAP 8 (261806)  M6M A2 M8 (324102)

C




 COVER 10 (261814)  SRB 11x24 (326018)

 M6S 10x25 (302207)  CAP 10 (261812)

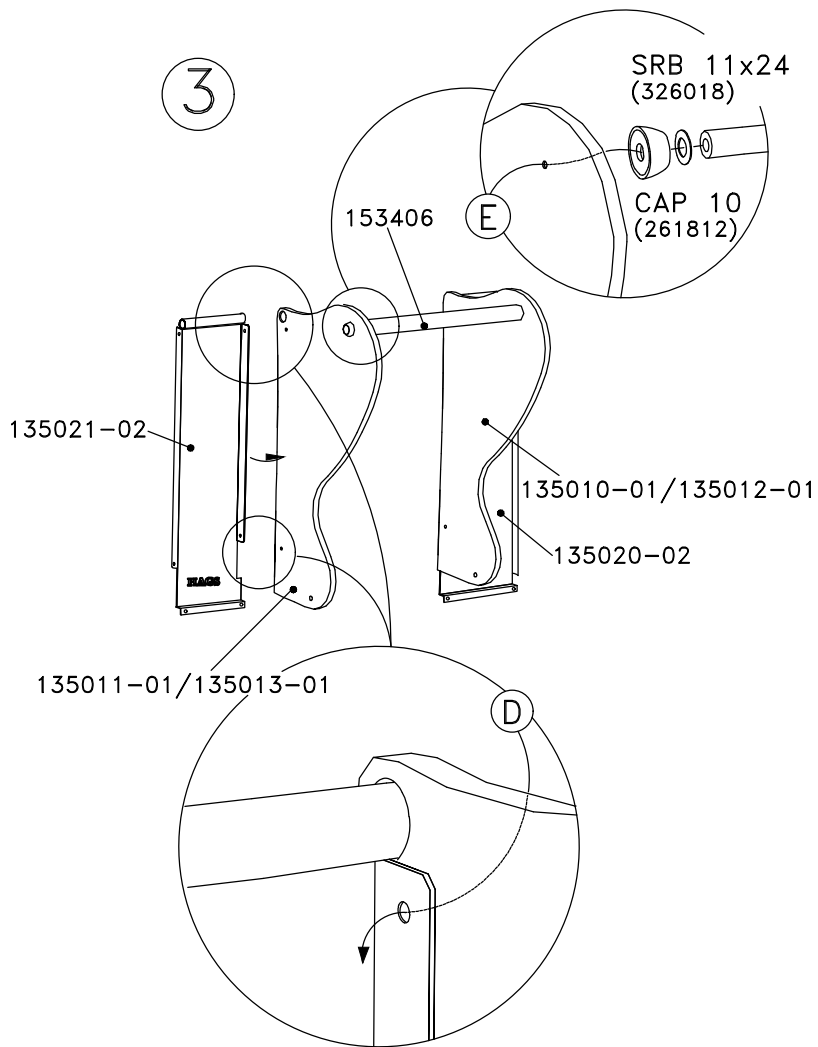


HAGS ANEBY, SWEDEN
+46(0)380-47300
www.hags.com

HPL Slide
453 213
1(2)

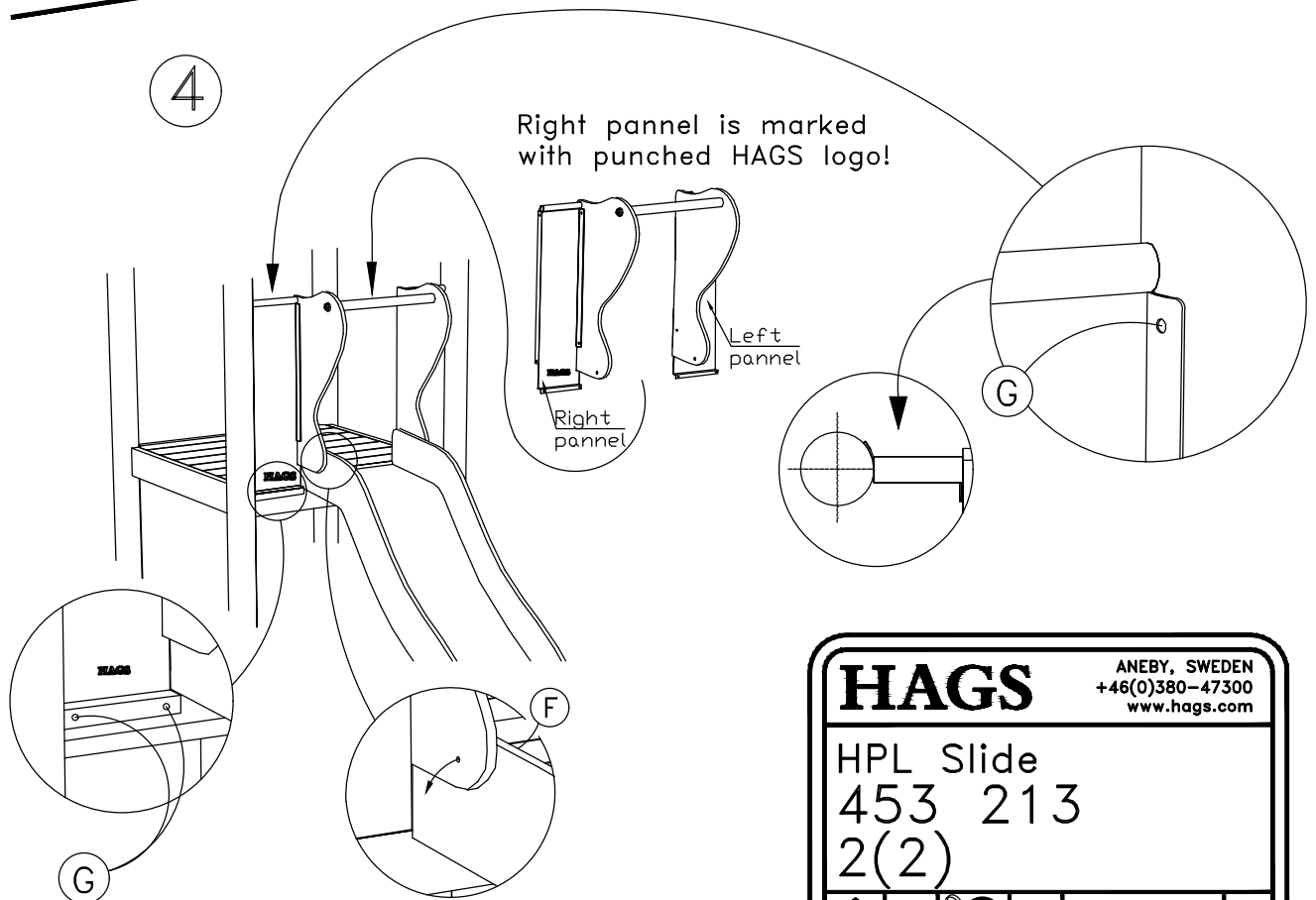
 TJ  - -  6

3



<p>D</p>
<p>E</p>
<p>F</p>
<p>G</p>

4



HAGS		ANEBY, SWEDEN +46(0)380-47300 www.hags.com
HPL Slide 453 213 2(2)		
	TJ	
-	-	6